

# Air-Operated Double-Diaphragm Pumps

PRODUCT OVERVIEW



Where Innovation Flows



## Performance and Efficiency

Since 1986, All-Flo pumps have been built to last. Designed to live up to their name, All-Flo pumps are performance engineered and quality built to provide trouble-free service under the toughest conditions. All of our pumps are 100% factory tested for quality assurance. Our pump's air mechanism features the fewest moving parts of any pump on the market. With fewer parts to wear and breakdown, the result is reduced risk of disruptions in service and reliable operation. When it comes to simplicity of design, see for yourself how our pump stacks up against competitors.

### WE PUMP SOLUTIONS™

#### SIMPLE

A simple bolted design ensures quick and easy repairs.

#### EFFICIENCY

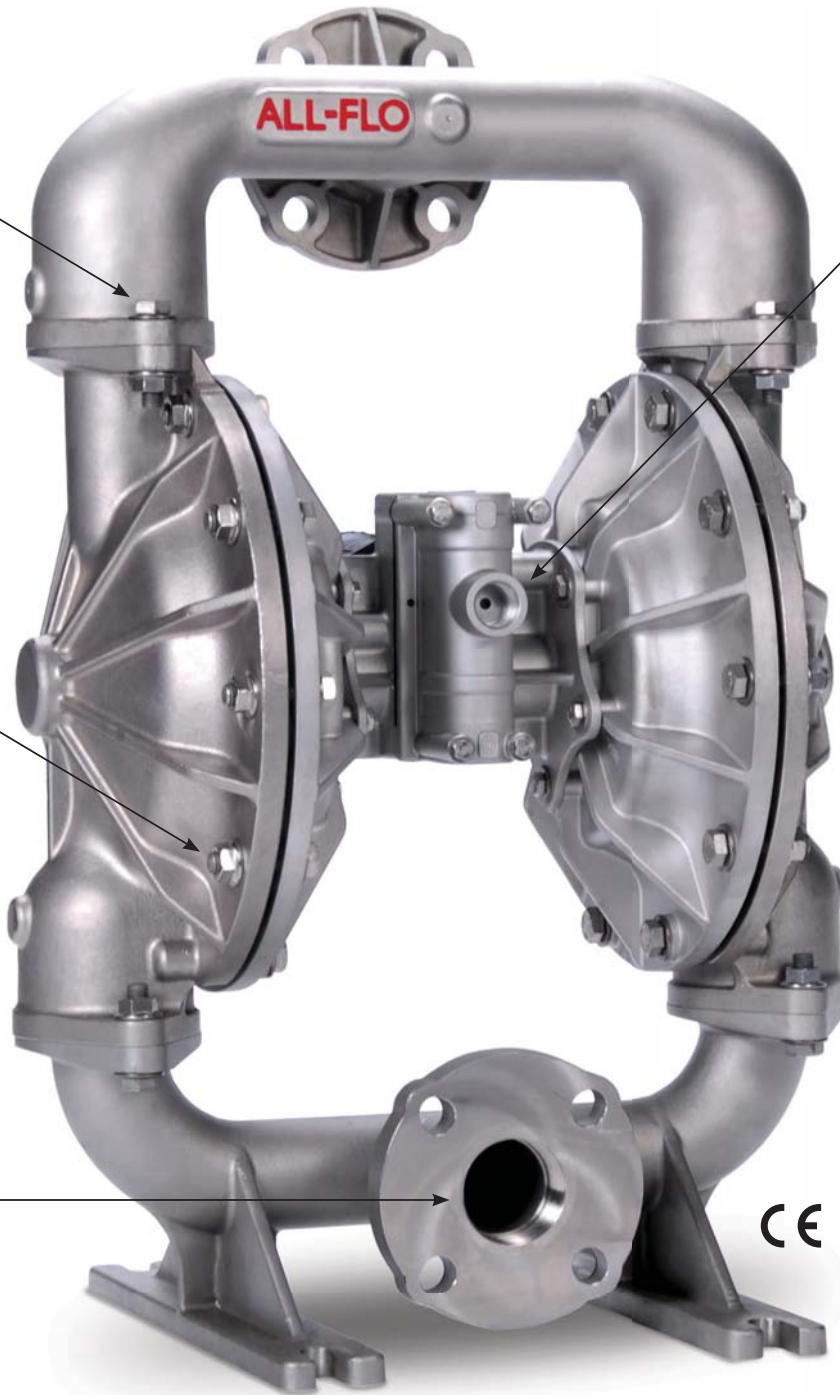
A high efficiency air-valve, with a maximum air pressure of 120 psi (8.2 bar), dramatically reduces overall operating costs.

#### PERFORMANCE

Quality-built construction of All-Flo pumps delivers unmatched efficiency and performance.

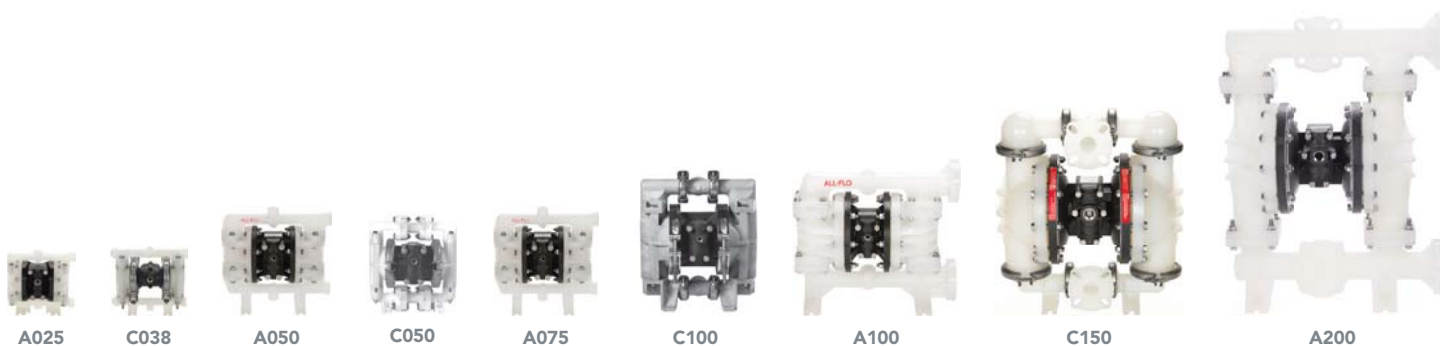
#### COMPATIBILITY

Mounting feet and liquid porting location designed to match competitors' footprint, reducing replacement cost.



# Plastic Pumps SELECTION GUIDE

Our general purpose plastic pumps are available in a polypropylene or PVDF housing. Polypropylene is suitable for use with a wide variety of chemical applications. PVDF offers stronger chemical resistance to both acids and bases, while offering a higher temperature and abrasion protection than polypropylene.

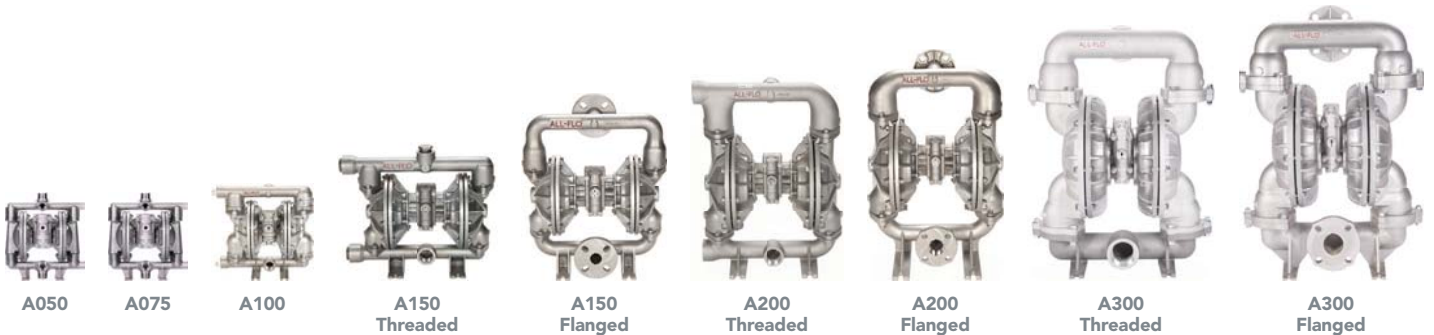


		A025	C038	A050	C050	A075	C100	A100	C150	A200	
CONNECTABILITY	Fluid Connection Type	FNPT FBSPT						ANSI/DIN Flange FNPT FBSPT		ANSI/DIN Flange	
	Fluid Connection Size (inches)	1/4	3/8	1/2	1/2	3/4	1	1	1-1/2	2	
	Air Inlet Connection (inches)	1/4						3/4			
CONSTRUCTION	Pump Style	Bolted	Clamped	Bolted	Clamped	Bolted	Clamped	Bolted	Clamped	Bolted	
	Materials of Construction - Fluid End	Polypropylene, PVDF	Polypropylene, PVDF, Conductive Nylon				Polypropylene, PVDF				
	Materials of Construction - Air End	Polypropylene	Polypropylene (Glass-Filled), FKM								
	Available Elastomers	Geolast®, Santoprene®, PTFE	Geolast®, Santoprene®, PTFE, FKM								
PERFORMANCE	Maximum Lift ft-H <sub>2</sub> O (m-H <sub>2</sub> O)	Dry: 14 (4.2) Wet: 28 (8.5)	Dry: 10 (3.0) Wet: 26 (7.9)	Dry: 15 (4.6) Wet: 26 (7.9)				Dry: 13 (3.9) Wet: 26 (7.9)	Dry: 17 (5.2) Wet: 29 (8.8)		
	Maximum Solids inches (mm)	1/16 (1.6)		1/8 (3.2)			1/4 (6.4)				
	Maximum Flow Rate gpm (lpm)	5.7 (21.6)	9 (34)	17 (64.6)	14 (53)	17 (64.6)	40 (152)	41 (156)	130 (492)	160 (605)	

Consult [www.all-flo.com](http://www.all-flo.com) for specific chemical compatibility.

# Metal Pumps SELECTION GUIDE

Our general purpose metal pumps are available in three materials: aluminum, anodized aluminum, and stainless steel. Aluminum and anodized aluminum offer medium corrosion and abrasion resistance, while stainless steel is suitable for applications that require higher chemical and abrasion resistance.



		A050	A075	A100	A150	A200	A300
CONNECTABILITY	Fluid Connection Type	FNPT FBSPT			Aluminum: FNPT, FBSPT Stainless Steel: FNPT, FBSPT, ANSI/DIN Flange		Aluminum: FNPT, FBSPT Stainless Steel: ANSI/DIN Flange
	Fluid Connection Size (inches)	1/2	3/4	1	1-1/2	2	3
	Air Inlet Connection (inches)	1/4			3/4		
CONSTRUCTION	Pump Style	Bolted					
	Materials of Construction - Fluid End	Aluminum, Anodized Aluminum, Stainless Steel					
	Materials of Construction - Air End	Aluminum, Polypropylene (Glass-Filled)	Aluminum, Polypropylene (Glass-Filled)	Aluminum, PTFE Coated Aluminum	Aluminum, Stainless Steel		Aluminum, PTFE Coated Aluminum
	Available Elastomers	Geolast®, Santoprene®, PTFE, FKM, Buna-N, EPDM					
PERFORMANCE	Maximum Lift ft-H <sub>2</sub> O (m-H <sub>2</sub> O)	Dry: 15 (4.6) Wet: 31 (9.4)	Dry: 15 (4.6) Wet: 31 (9.4)	Dry: 17 (5.2) Wet: 30 (9.1)	Dry: 22 (6.7) Wet: 31 (9.4)	Dry: 24 (7.3) Wet: 32 (9.8)	Dry: 20 (6.1) Wet: 31 (9.4)
	Maximum Solids inches (mm)	1/8 (3.2)	1/8 (3.2)	1/4 (6.4)			7/16 (11)
	Maximum Flow Rate gpm (lpm)	15 (57)	15 (57)	48 (182)	115 (435)	190 (719)	235 (890)

Consult [www.all-flo.com](http://www.all-flo.com) for specific chemical compatibility.



# Specialty Pumps SELECTION GUIDE

We offer a variety of specialty pumps to suit your application needs. FDA and Hygienic Pumps are ideal for many common food and beverage fluid transfer applications. Solids handling capabilities are offered in hygienic pumps (1-1/2 in. and larger) and 1/2 in. and 1 in. plastic and metal pumps. Our PTFE pumps are recommended for applications containing highly corrosive process fluids or applications requiring higher temperature resistance.



	ALL-PUR™ FDA – F SERIES	ALL-PUR™ FOOD GRADE – G SERIES	PLASTIC AND CONDUCTIVE PLASTIC – D SERIES	MAX-PASS® SOLIDS HANDLING – S SERIES	
CONNECTABILITY	Fluid Connection Type	ASTM A270 Tri-Clamp®	Tri-Clamp®	FNPT FBSPT ANSI/DIN Flange	
	Fluid Connection Size (inches)	F100: 1-1/2 F150: 2 F200: 2-1/2	G075: 1 G125: 1-1/2 G200: 2	D038: 3/8 D050: 1/2 D100: 1 D150: 1-1/2 D200: 2	Plastic: S038: 3/8, S050: 1/2, S075: 3/4, S100: 1 Metal: S050: 1/2, S075: 3/4, S100: 1
	Air Inlet Connection (inches)	F100: 1/2 F150: 3/4 F200: 3/4	G075: 1/4 G125: 1/4 G200: 1/2	D038: 1/8 D050: 1/4 D100: 1/4 D150: 1/2 D200: 1/2	1/4
CONSTRUCTION	Pump Style	Bolted			
	Materials of Construction - Fluid End	Polished & Passivated Stainless Steel	316 Stainless Steel	Polyethylene, Conductive Polyethylene, PTFE, Conductive PTFE	Aluminum, Anodized Aluminum, Stainless Steel, Polypropylene, PVDF
	Materials of Construction - Air End	F100: Aluminum, PTFE Coated Aluminum F150 & F200: Aluminum, PTFE Coated Aluminum, Stainless Steel	Conductive Polyethylene	Polyethylene, Conductive Polyethylene	S050 & S075: Aluminum, PTFE Coated Aluminum, Polypropylene (Glass-Filled) S100 Metal: Aluminum, PTFE Coated Aluminum, Polypropylene (Glass-Filled) S100 Plastic: Polypropylene (Glass-Filled)
	Available Elastomers	Santoprene®, Hytrel®, PTFE	FDA EPDM, Integral PTFE	EPDM, Integral PTFE	Geolast®, Santoprene®, PTFE, FKM
PERFORMANCE	Maximum Lift ft-H <sub>2</sub> O (m-H <sub>2</sub> O)	Dry: 17 - 24.4 (5.2 - 7.4) Wet: 30 - 31.7 (9.1 - 9.7)	Dry: 3.3 - 9.8 (1 - 3) Wet: 29.5 (9)	Dry: 3.3 - 16.4 (1 - 5) Wet: 29.5 (9)	Dry: 15 - 18 (4.6 - 5.5) Wet: 26 - 31 (7.9 - 9.4)
	Maximum Solids inches (mm)	1/4 (6.4)	7/20 – 1/2 (9 - 13)	1/8 - 7/16 (3 - 11)	1/4 - 3/4 (6.4 - 19)
	Maximum Flow Rate gpm (lpm)	48 - 190 (182 - 719)	20 - 106 (75 - 400)	6 - 140 (22 - 530)	9 - 46 (34 - 174)

Consult [www.all-flo.com](http://www.all-flo.com) for specific chemical compatibility or contact an applications engineer for specific recommendations.



PSG  
22069 Van Buren Street  
Grand Terrace  
CA, 92313-5651  
USA  
P: +1 (440) 354-1700  
F: +1 (440) 354-9466  
[all-flo.com](http://all-flo.com)



Where Innovation Flows

ALF-10000-C-01

Authorized PSG® Partner:

Copyright 2019 PSG®, a Dover company