

# Self-Priming High Pressure & Trash Pedestal Drive Pumps

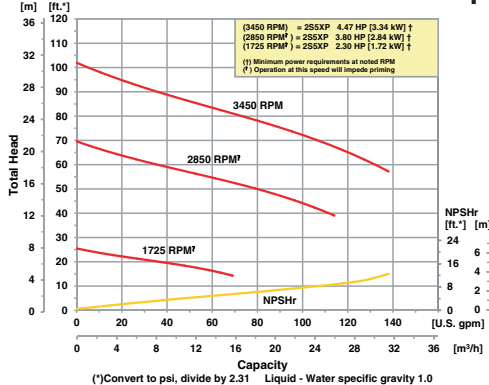


Aluminum Pedestal

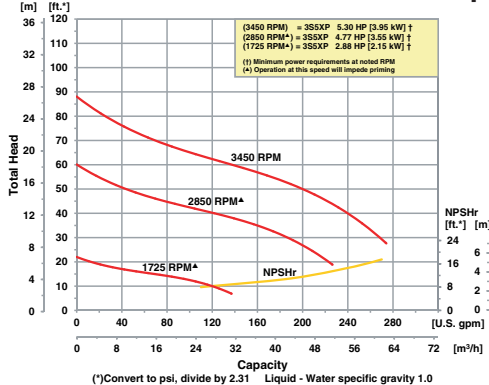


- **Aluminum Construction**
- **High Pressure—Type P Only**
  - ◆ **Aluminum Impeller with Cast Iron Volute for High Efficiency**
  - ◆ **EPDM/EPR Seals and O-Rings**
- **Trash—Type S Only**
  - ◆ **Cast Iron Impeller & Volute for Resistance to Wear and Abrasion**
  - ◆ **Silicon/Carbide/Viton® Mechanical Seal and EPDM/EPR O-Rings**
- **Solids Handling and Dirty Water Design**

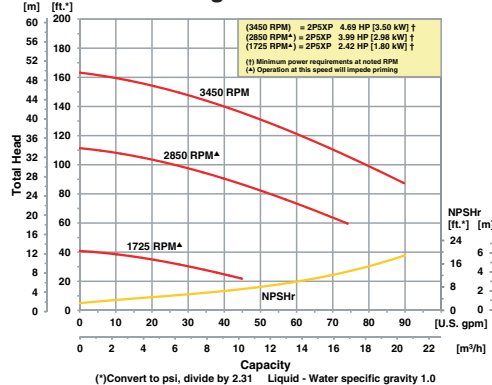
Performance of 2" Trash Pedestal Pumps



Performance of 3" Trash Pedestal Pumps



Performance of 2" High Pressure Pedestal Pumps



Pedestal drive units for flex-coupling to an electric motor are available in general purpose, high pressure and trash versions. All models are standard with threaded impeller. Pumps are designed to handle liquids with solids content or dissolved solids and debris.



# Self-Priming High Pressure & Trash Pedestal Pumps

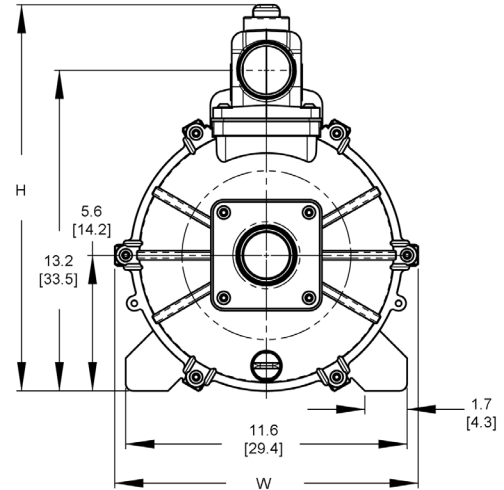
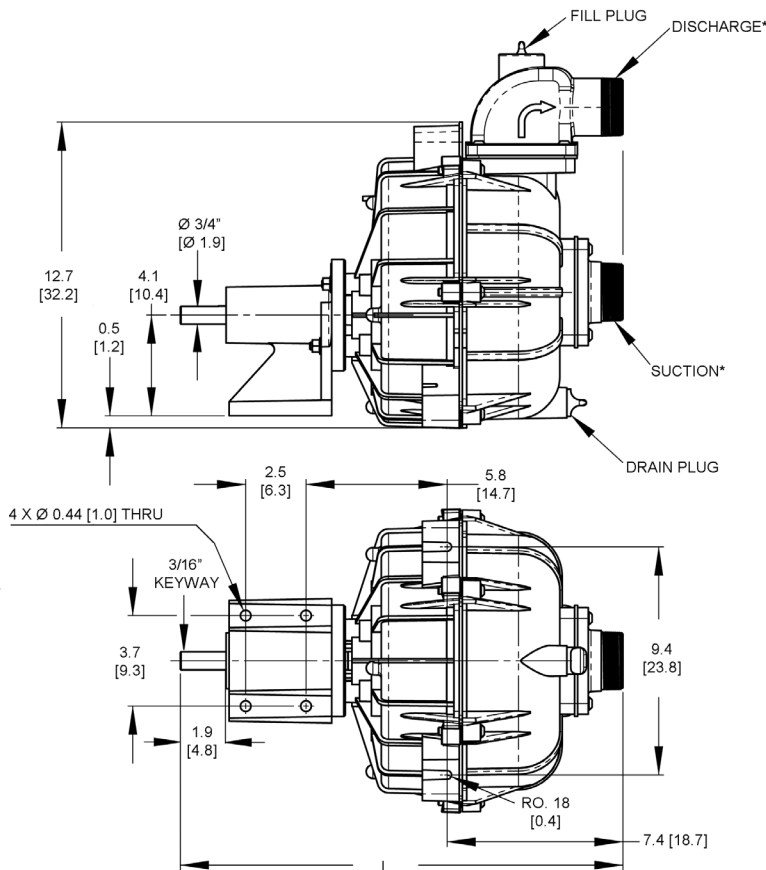
## Aluminum with Cast Iron Pedestal Drive with Dual Sealed Ball Bearings

### High Pressure Pedestal Drive

Model	NPT	HP Required	Check Valve	O-Ring	Seal Type & Elastomer/Faces	Ship Wt. (Lbs.)
2P5XP	2"	5	EPDM/EPR	EPDM/EPR	EPDM/EPR/CAR/CER	43

### Trash Pedestal Drive

Model	NPT	HP Required	Check Valve	O-Ring	Seal Type & Elastomer/Faces	Ship Wt. (Lbs.)
2S5XP	2"	5	EPDM/EPR	EPDM/EPR	Viton®/SIC/SIC	47
3S5XP	3"					49



### Pump Dimensional & Specification Data

Model	SUC*	DIS*	L	W	H
2P5XP / 2S5XP	2" (Male)	2" (Male)	18.3 [46.4]	12.5 [31.7]	16.4 [41.6]
3S5XP	3" (Male)	3" (Male)	18.5 [46.9]	12.5 [31.7]	16.0 [40.6]

(\*) Standard NPT pipe thread.

NOTE: Dimensions are in inches (centimeters) and have a tolerance of  $\pm 1/8"$ .

### Standard Features

- Stainless Steel Internal Screws and Pins for Easy Servicing
- Large Pump Casing for Faster Priming
- Built-in EPDM/EPR Check Valve for Fast Priming
- Horizontal Discharge—No Need to Buy Elbow
- Threaded Male Connections—No Need to Buy Nipples
- Stainless Steel Shaft Sleeve
- Strainer Supplied with Each Pump—to Prevent Clogging



Manufacturer of AMT & IPT Pumps

400 Spring Street • Royersford, PA 19468 USA

[www.amtpump.com](http://www.amtpump.com) • 888-amt-pump (268-7867)

The Gorman-Rupp Company reserves the right to discontinue any model or change specifications at any time without incurring any obligation. ©2012 American Machine and Tool Company. All rights reserved.



0120