

## Submersible Utility Sump Pumps

### 5010-99

- **Heavy Duty Corrosion Resistant Stainless Steel Housing with Plastic Internals**
- **1-1/4" NPT Discharge with Adaptor**
- **Automatic Tethered Float Switch Included**
- **3/4 HP, 115VAC UL Cord with 3 Prong Plug**
- **Thermal Overload Protection**
- **Garden Hose Adapter Included**

### 5000-95

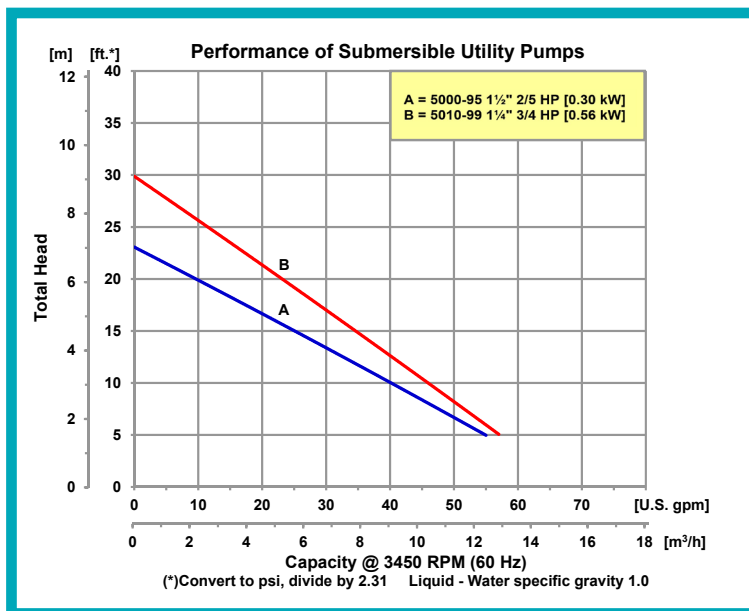
- **Heavy Duty Corrosion Resistant Stainless Steel Housing with Cast Iron Internals**
- **Automatic Vertical Float Switch Included**
- **2/5 HP, 115VAC UL Cord with 3 Prong Plug**
- **Thermal Overload Protection**
- **Oil Chamber Design with Ball Bearing and Secondary Shaft Seal for Long Life**



Model 5000-95

Model 5010-99

The AMT Submersible Drainage / Sump Pumps are lightweight submersible pumps with built-in float switches. These submersibles are intended for use in residential, commercial and industrial settings. Examples include, but not limited to: basements, boats, tanks and other general drainage applications involving dirty water. Each unit is completely assembled and features a self-cleaning semi-open impeller and automatic on/off float switch. All pumps incorporate a mechanical shaft seal with carbon and ceramic wear faces. These pumps feature corrosion-resistant stainless steel outer bodies for longevity, with either cast iron or plastic internals. Pumps have a 3450 RPM electric motor fitted with a finished 3-prong grounding type power cord. Motors are UL Listed and rated continuous duty and have automatic restart thermal overload protection.



400 Spring Street • Royersford, PA 19468 USA

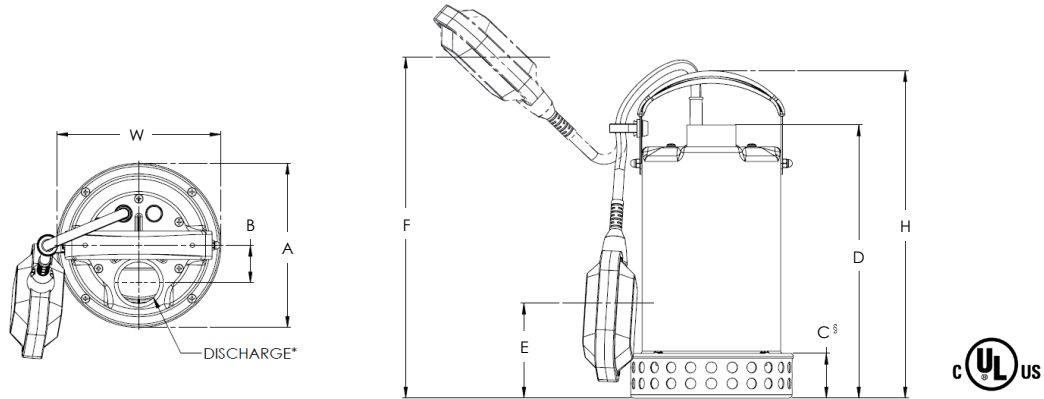
[www.amtpump.com](http://www.amtpump.com) • 888-amt-pump (268-7867)

For use with nonflammable liquids compatible with pump component materials. Viton® and Teflon® are registered trademarks of E. I. DuPont.

## Pump Dimensional & Specification Data

| Model   | Curve | HP  | VAC | FLA | DIS* (FNPT) | Basic Construction        | Float Switch Type | Max Solids (Dia) | Cord Length (ft.) | Ship Wt (Lbs) |
|---------|-------|-----|-----|-----|-------------|---------------------------|-------------------|------------------|-------------------|---------------|
| 5010-99 | B     | 3/4 | 115 | 7   | 1-1/4       | Stainless Steel/Plastic   | Tethered          | 1/5"             | 25' w/ plug       | 15            |
| 5000-95 | A     | 2/5 | 115 | 4   | 1-1/2       | Stainless Steel/Cast Iron | Vertical          | 1/5"             | 25' w/ plug       | 34            |

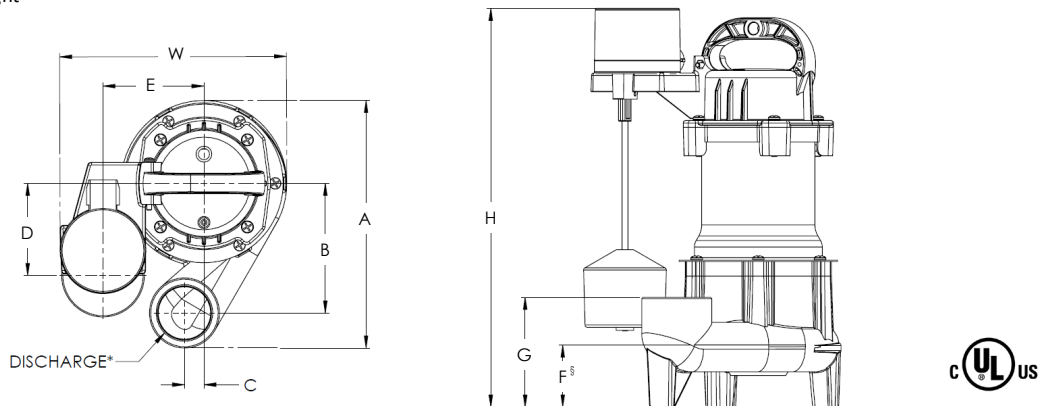
(\* Standard NPT (Female Pipe) Thread in Inches



| Model   | A          | B         | C§        | D          | E         | F           | W          | H           |
|---------|------------|-----------|-----------|------------|-----------|-------------|------------|-------------|
| 5010-99 | 5.9 [15.0] | 1.4 [3.4] | 1.6 [4.1] | 9.8 [24.9] | 3.4 [8.7] | 12.3 [31.1] | 5.9 [15.0] | 11.8 [29.9] |

NOTE: Dimensions are in inches (cm) and have a tolerance of  $\pm 1/8$ ".

§ Minimum Liquid Height



| Model   | A          | B          | C         | D         | E         | F§        | G         | W          | H           |
|---------|------------|------------|-----------|-----------|-----------|-----------|-----------|------------|-------------|
| 5000-95 | 8.0 [20.3] | 4.2 [10.6] | 0.6 [1.6] | 3.0 [7.5] | 3.3 [8.3] | 2.0 [5.1] | 3.5 [9.0] | 7.3 [18.6] | 12.9 [32.7] |

NOTE: Dimensions are in inches (cm) and have a tolerance of  $\pm 1/8$ ".

§ Minimum Liquid Height

## Standard Features

### Model # 5010-99

- Stainless Steel Housing with Plastic Internals
- Automatic On-Off Tethered Float Switch Design
- 1-1/4" NPT Discharge w/ Adaptor Included
- Built-In Bottom Suction Screen Allows 1/5" Solids
- Easy Installation, Includes 25' Power Cord
- Maximum Temp 104° F (40° C)
- Built-In Carry Handle
- UL Listed

### Model # 5010-95

- Stainless Steel Housing with Cast Iron Construction
- Automatic On-Off Vertical Float Switch Design
- 1-1/2" NPT Discharge
- Double Mechanical Seal Construction
- Easy Installation, Includes 25' Power Cord
- Maximum Temp 104° F (40° C)
- Built-In Carry Handle
- UL listed