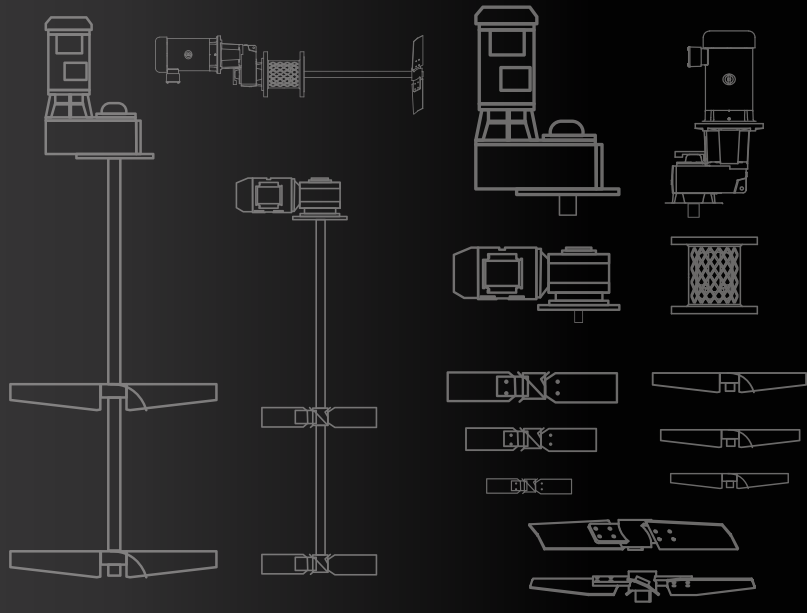




TANK MIXING SOLUTIONS

DMX SERIES

At Dynamix, we provide you with a **solution**, not just a mixer.



TANK MIXING SOLUTIONS

DMX 3000 SERIES

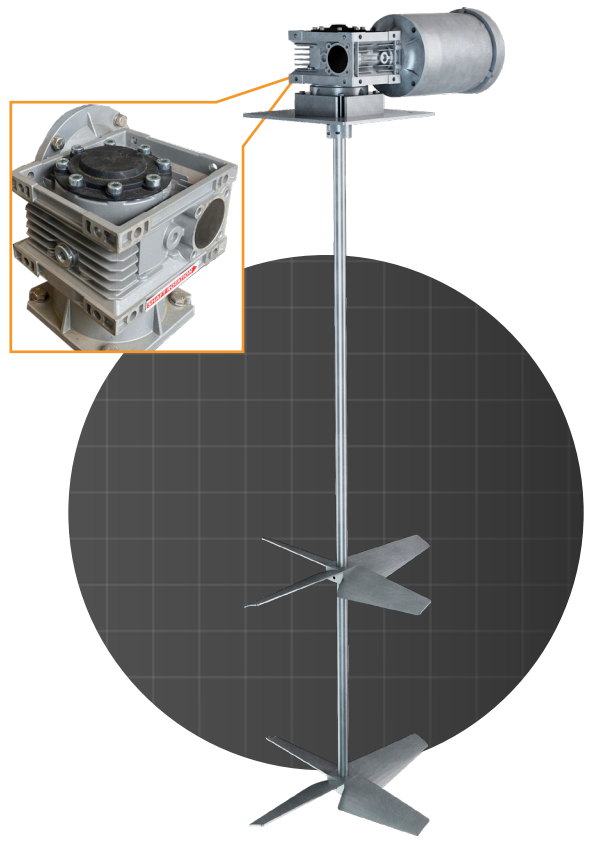
Utility for Your Process

The DMX 3000 is a utility mixer designed for high-torque, single-purpose applications. We engineer and build these units with a range of shaft and impeller options to give you a custom solution at a cost-effective *off-the-shelf* price.

- » Plate, Flange, Clamp, or Angle mounted, the DMX 3000 can be adapted to suit any tank
- » Permanently lubricated gearbox that minimizes maintenance costs
- » High-efficiency Dynaflow™ impeller standard
- » Mix it right with our Solution Assurance, available on the DMX 3000 Series

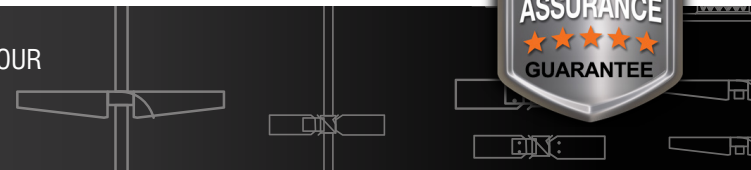
CONFIGURATION OPTIONS

MOTOR	HP Range: 1/2 to 2	» Electric, TEFC, Single or 3 Phase
GEAR REDUCTION	8:1, 10:1, and 20:1	» Low RPM mixing with substantial torque available
MOUNTING	Plate, Flange, or Clamp	» Adaptable to any type of tank
IMPELLER	Dynaflow™, P4 Pitch, Radial	» A full range enables your mixer to deliver perfect mixing quality
MATERIALS	316SS, Custom Coatings	» All wetted parts material 316SS Standard, specialized coatings for added corrosion / abrasion resistance



THE DYNAMIX SOLUTION ASSURANCE

WE PROVIDE PERFORMANCE-GUARANTEED SOLUTIONS DESIGNED FOR YOUR PRODUCT, PROCESS, AND ENVIRONMENT.



DMX 3000 Series Features

Mounting Options

FLEXIBILITY We offer Standard Flange Mount, Plate Mount, and Clamp Mount (Optional Angle Mount is available)

FLANGE - STANDARD

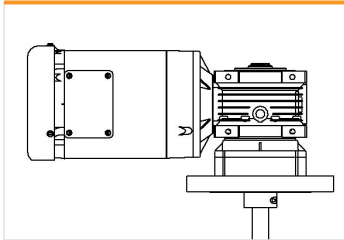
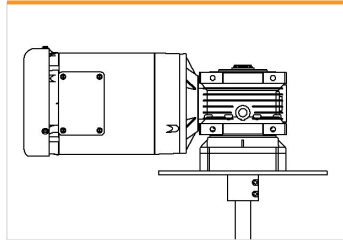
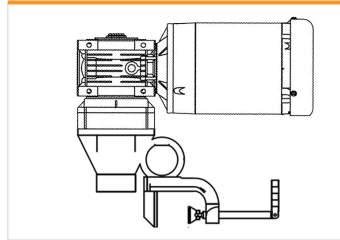


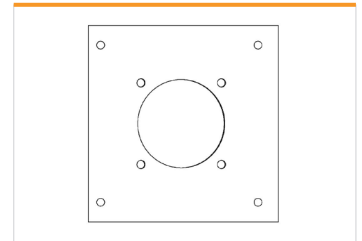
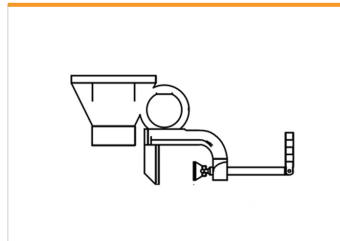
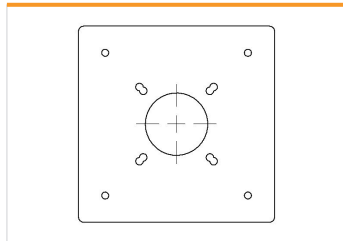
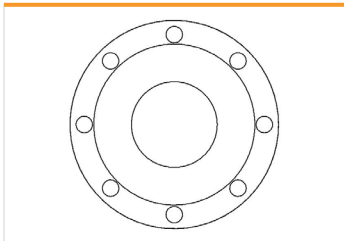
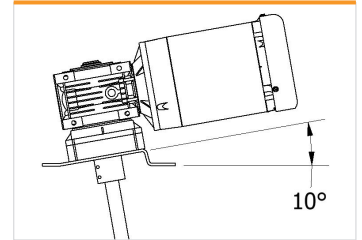
PLATE - STANDARD



CLAMP - STANDARD



ANGLE - OPTIONAL



Customizable Impellers

OPTIMIZED MIXING Impeller selection is a key point of any mixer configuration. Starting with the right impeller lets the rest of the mixer work in balance and deliver quality mixing. Issues such as uniformity, area of influence, shear, solids suspension, and many others are addressed through the impeller selection.

DYNAFLOW™



PITCH



RADIAL



At Dynamix, we provide you with a SOLUTION, not just a mixer

The Difference?

We consider your Product, Process, and Environment.

Our commitment to this is embodied by our Solution Assurance – our process guarantee.

HOW TO GET STARTED

Contact our sales team directly at 1-866-563-2448 to request a quote and find out how we can optimize the quality of your application results.

TEL: 1-866-563-2448

EMAIL: info@dynamixinc.com

DYNAMIX AGITATORS

www.dynamixinc.com

