

Contents

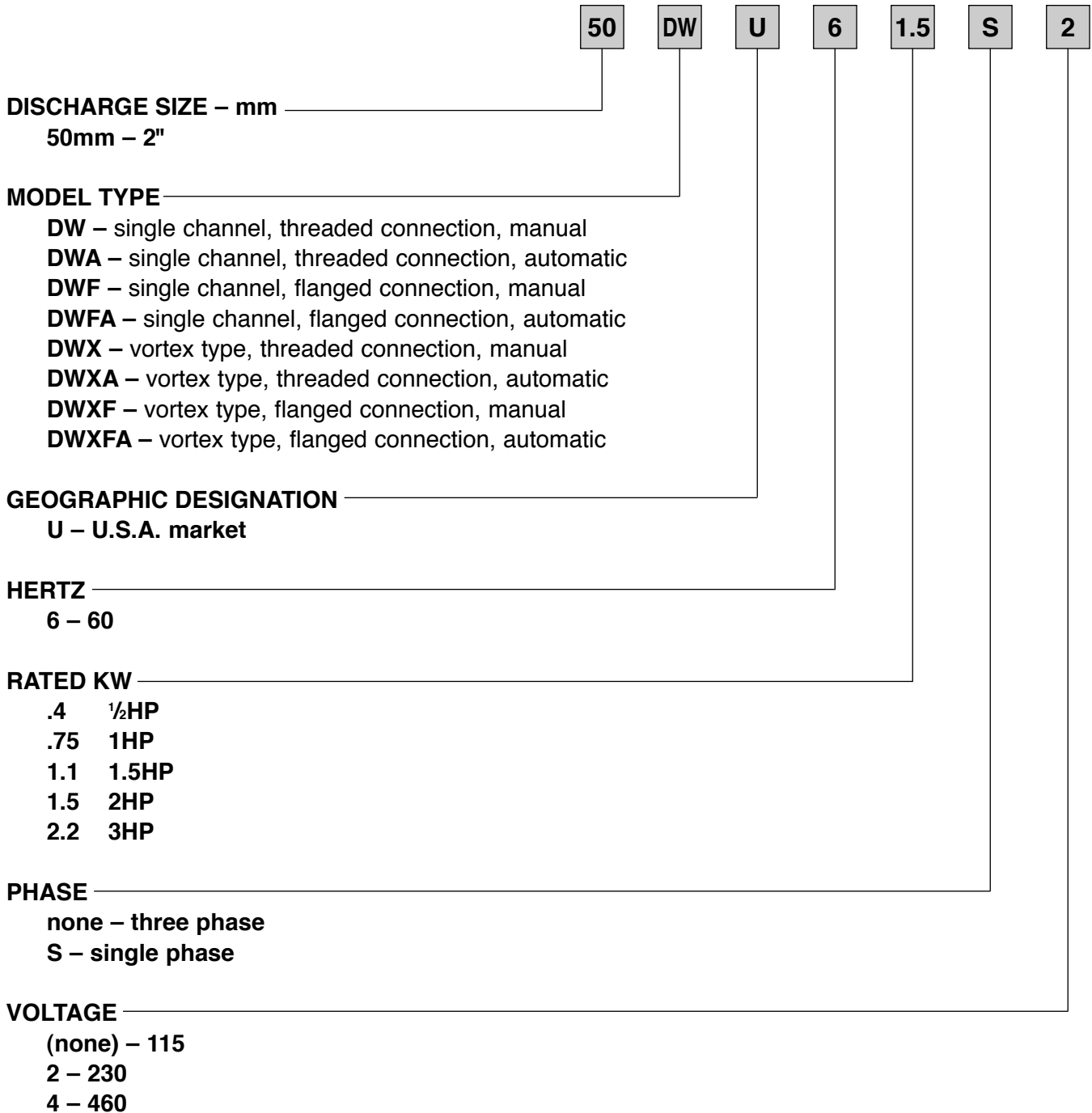
Model No.	Specifications	Selection Chart	Performance Curve	Dimensions		Sectional View
				Pump	Motor Data	
50DWU6.4S	1-129	1-130	1-132	1-138	1-148 – 1-156	1-146
50DWU6.75S						
50DWU6.4S2						
50DWU6.75S2			1-133			
50DWU61.1S2						
50DWU61.5S2						
50DWU6.4			1-132			
50DWU6.75						
50DWU61.1						
50DWU61.5			1-133			
50DWU62.2						
50DWU62.2						
50DWFU6.4S	1-129	1-130	1-132	1-139	1-148 – 1-156	1-147
50DWFU6.75S						
50DWFU6.4S2						
50DWFU6.75S2			1-133			
50DWFU61.1S2						
50DWFU61.5S2						
50DWFU6.4			1-132			
50DWFU6.75						
50DWFU61.1						
50DWFU61.5			1-133			
50DWFU62.2						
50DWFU62.2						
50DWXU6.4S	1-129	1-131	1-135	1-140	1-148 – 1-156	1-146
50DWXU6.75S						
50DWXU6.4S2						
50DWXU6.75S2			1-136			
50DWXU61.1S2						
50DWXU61.5S2						
50DWXU6.4			1-135			
50DWXU6.75						
50DWXU61.1						
50DWXU61.5			1-136			
50DWXU62.2						
50DWXU62.2						
50DWXFU6.4S	1-129	1-131	1-135	1-141	1-148 – 1-156	1-147
50DWXFU6.75S						
50DWXFU6.4S2						
50DWXFU6.75S2			1-136			
50DWXFU61.1S2						
50DWXFU61.5S2						
50DWXFU6.4			1-135			
50DWXFU6.75						
50DWXFU61.1						
50DWXFU61.5			1-136			
50DWXFU62.2						
50DWXFU62.2						

Contents (continued)

Model No.	Specifications	Selection Chart	Performance Curve	Dimensions		Sectional View
				Pump	Motor Data	
50DWAU6.4S	1-129	1-130	1-132	1-142	1-148 – 1-156	1-146
50DWAU6.75S						
50DWAU6.4S2						
50DWAU6.75S2						
50DWAU61.1S2			1-133			
50DWFAU6.4S	1-129	1-130	1-132	1-143	1-148 – 1-156	1-147
50DWFAU6.75S						
50DWFAU6.4S2						
50DWFAU6.75S2						
50DWFAU61.1S2			1-133			
50DWXAU6.4S	1-129	1-131	1-135	1-142	1-148 – 1-156	1-146
50DWXAU6.75S						
50DWXAU6.4S2						
50DWXAU6.75S2						
50DWXAU61.1S2			1-136			
50DWXFAU6.4S	1-128	1-131	1-135	1-143	1-148 – 1-156	1-147
50DWXFAU6.75S						
50DWXFAU6.4S2						
50DWXFAU6.75S2						
50DWXFAU61.1S2			1-136			
Quick Discharge Connector System		1-143 1-145				
Mechanical Seal Sectional View		1-157				
Cable Entry System Detail		1-158				
Mechanical Seal and Ball Bearing Data		1-159				
Capacitor Data		1-159				
Submergence Chart		1-160				



Model Designation



***Note:** The Model DW(A)(F)U, DWX(A)(F)U is listed by the Canadian Standards Association (CSA) as certified (3HP excluded).

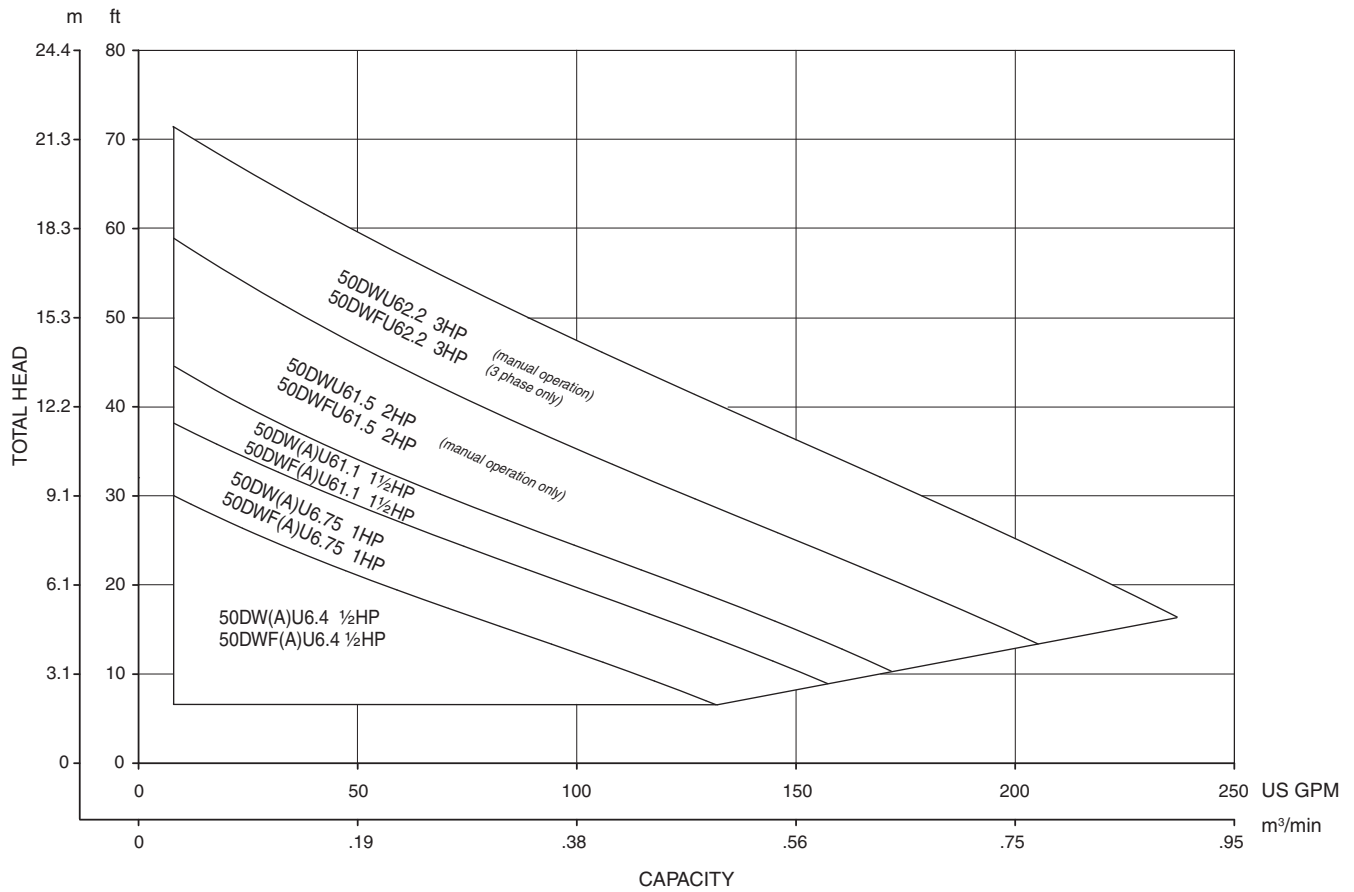
Specifications

	Manual	Automatic
Discharge Size/Connection	2" NPT or 2" ANSI Flanged	
Range of HP	1/2 HP to 3 HP	1/2 HP to 1 1/2 HP
Range of Performance	Capacity 8 to 235 GPM Head 8 to 74 feet	Capacity 8 to 180 GPM Head 8 to 54 feet
Limitation Maximum Water Temperature	104°F (40°C)	
Synchronous Speed	3600 RPM	
Materials Casing Impeller Shaft Motor Frame Fastener	304L Stainless Steel 304L Stainless Steel 304L Stainless Steel 304L Stainless Steel 304L Stainless Steel	
Mechanical Seal Material – Upper Side Material – Lower Side Impeller Type Bearing Motor Single Phase Three Phase Motor Protection	Double Mechanical Seal Carbon/Ceramic/NBR Silicon Carbide/Silicon Carbide/FPM Single Channel/Vortex Sealed Ball Bearing Air-filled, Insulation Class F 115 V (1/2, 1HP), 230V 230V, 460V Built-in Overload Protection (Single phase models) Submersible Cable 25 ft. <i>Consult factory for additional cable lengths.</i>	
Accessories	QDC System	
<p>*Note: 2HP, 1-phase and 3HP, 3-phase units have a cast iron intermediate bracket. The Model DW(A)(F)U, DWX(A)(F)U is listed by the Canadian Standards Association (CSA) as certified (3HP excluded).</p>		

Selection Chart

Model DW(A)U
DWF(A)U

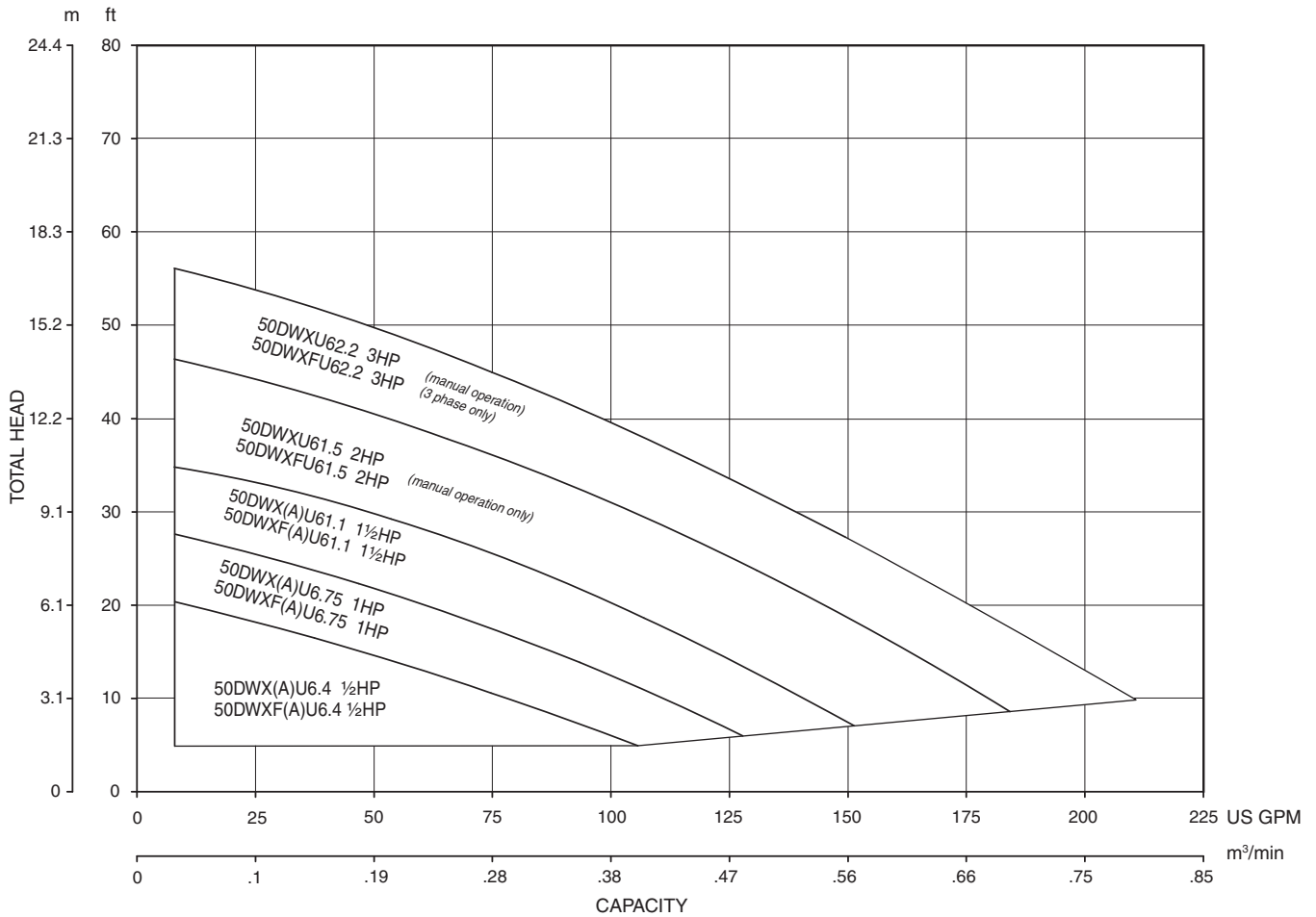
Single Channel Impeller



Selection Chart

Model DWX(A)U
DWXF(A)U

Vortex Impeller

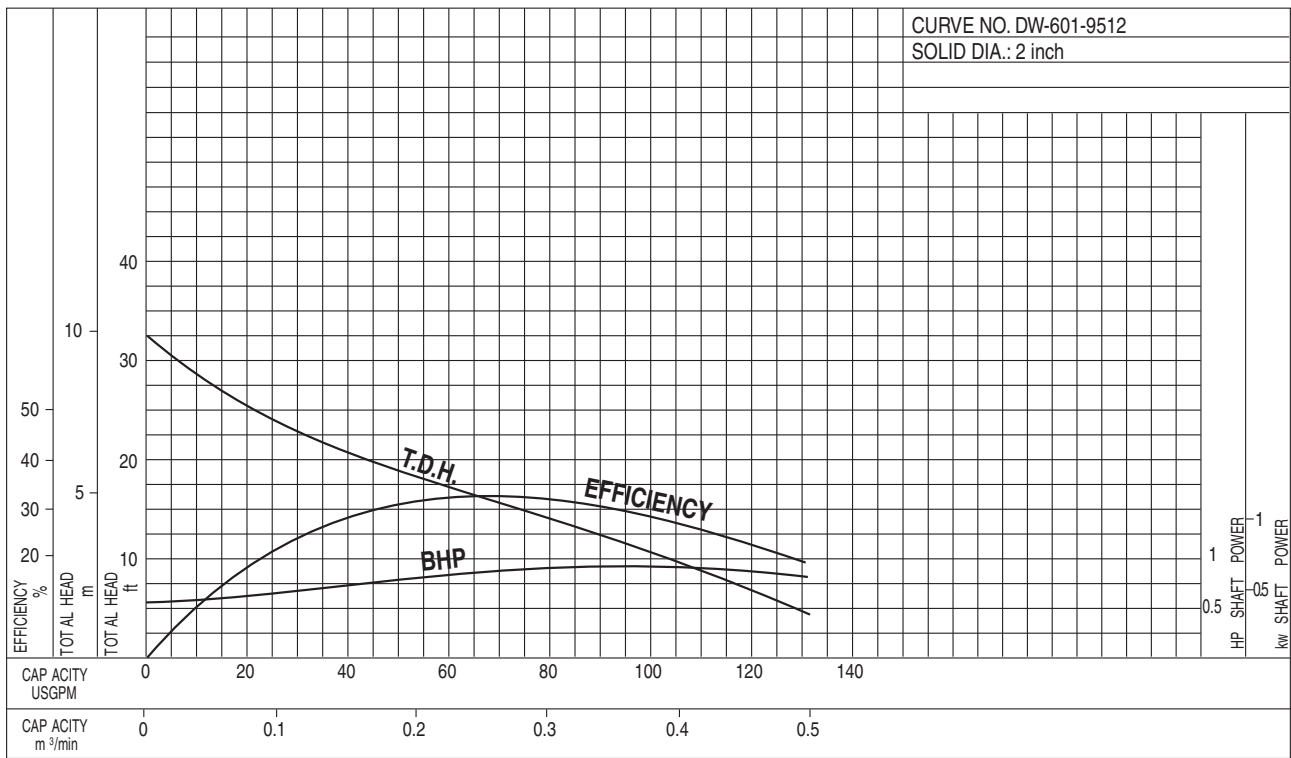


Performance Curves

Project: _____ GPM: _____ TDH: _____ EFF: _____ HP: _____ Chk'd: _____ Date: _____

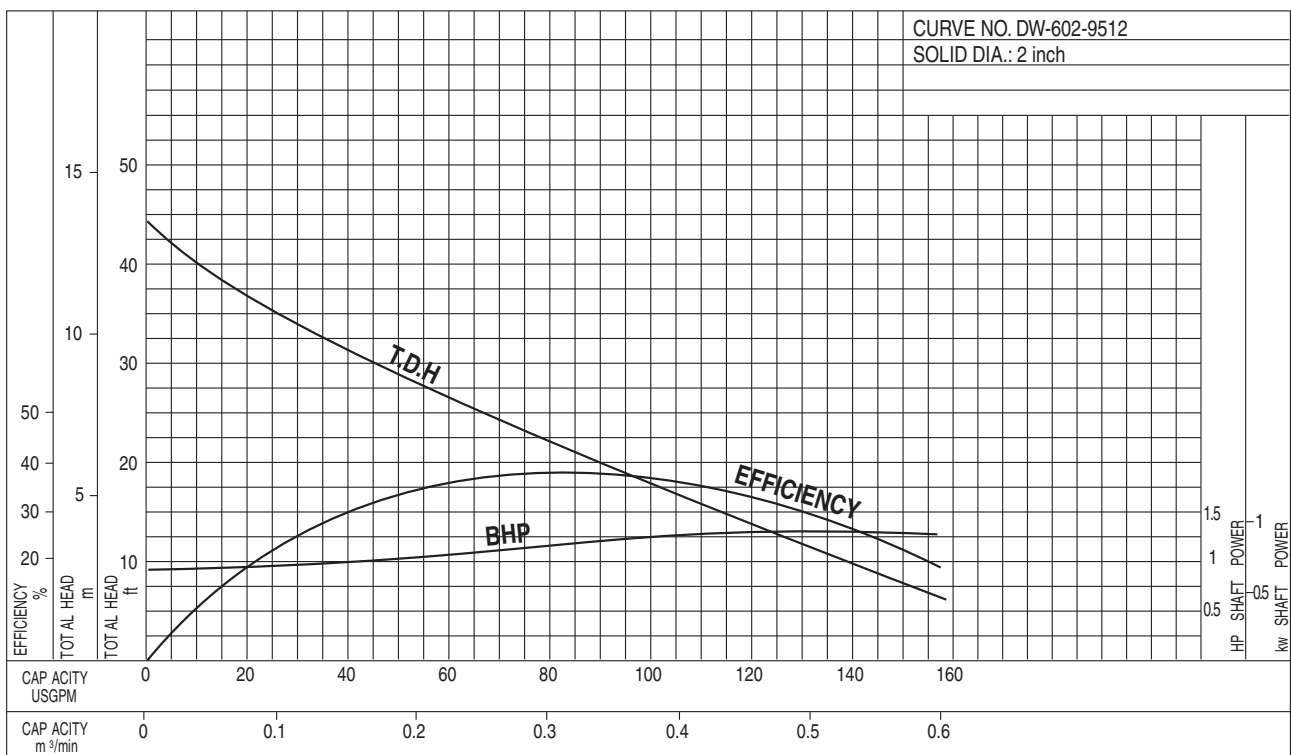
50DW6.4 (1/2HP) Synchronous Speed: 3600 RPM

2 inch Discharge



50DW6.75 (1HP) Synchronous Speed: 3600 RPM

2 inch Discharge

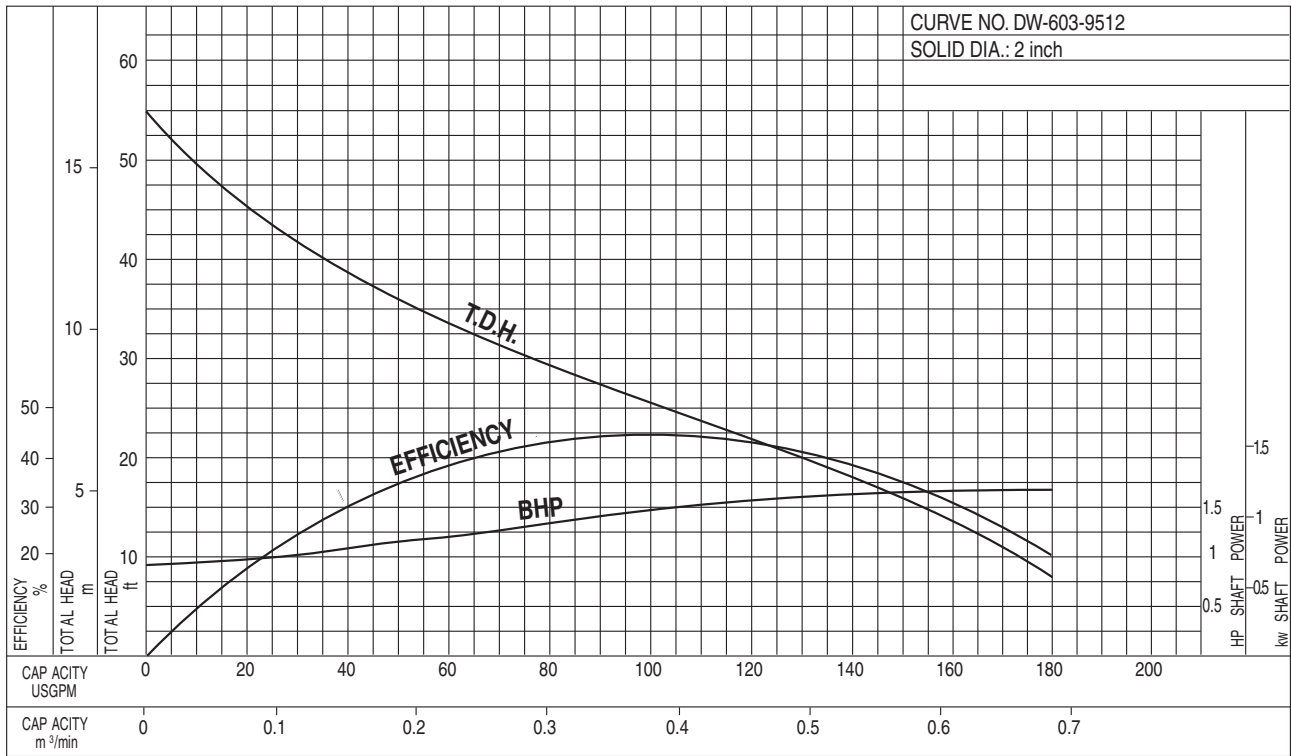


Performance Curves

Project: _____ GPM: _____ TDH: _____ EFF: _____ HP: _____ Chk'd: _____ Date: _____

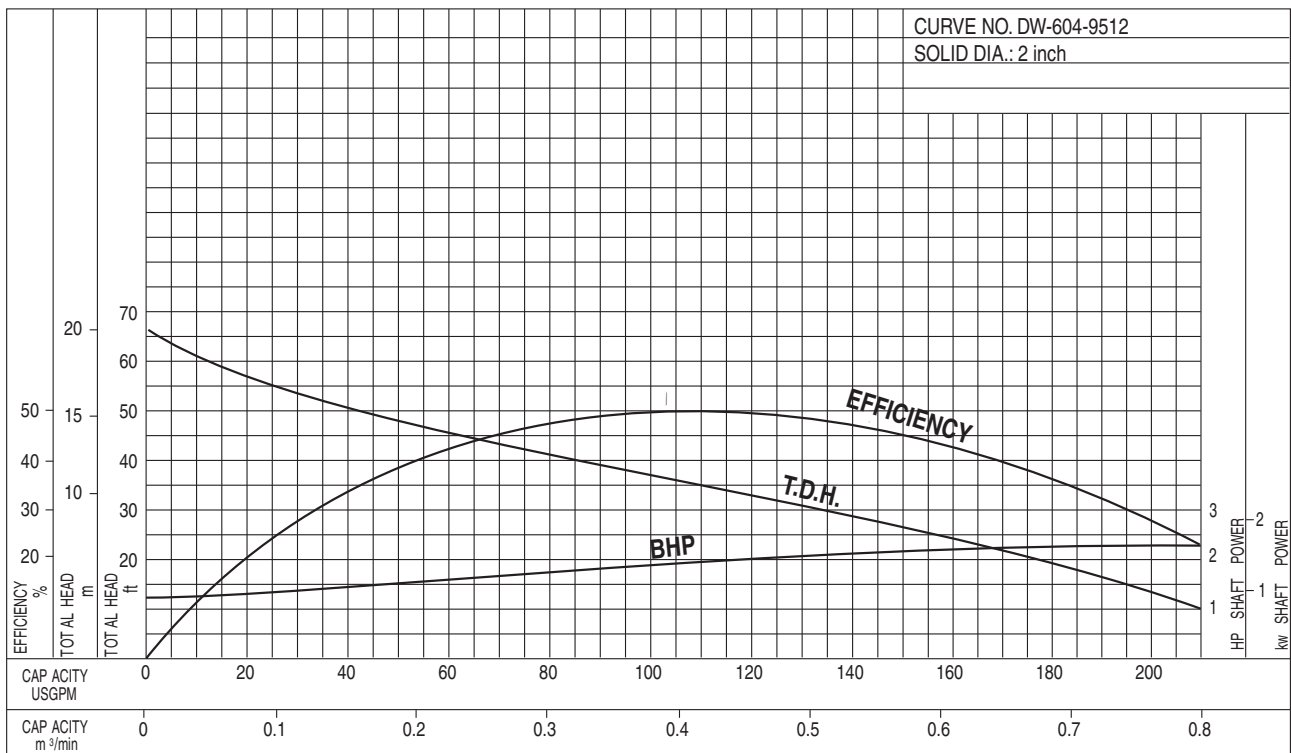
50DW61.1 (1½HP) Synchronous Speed: 3600 RPM

2 inch Discharge



50DW61.5 (2HP) Synchronous Speed: 3600 RPM

2 inch Discharge



Performance Curves

Project:

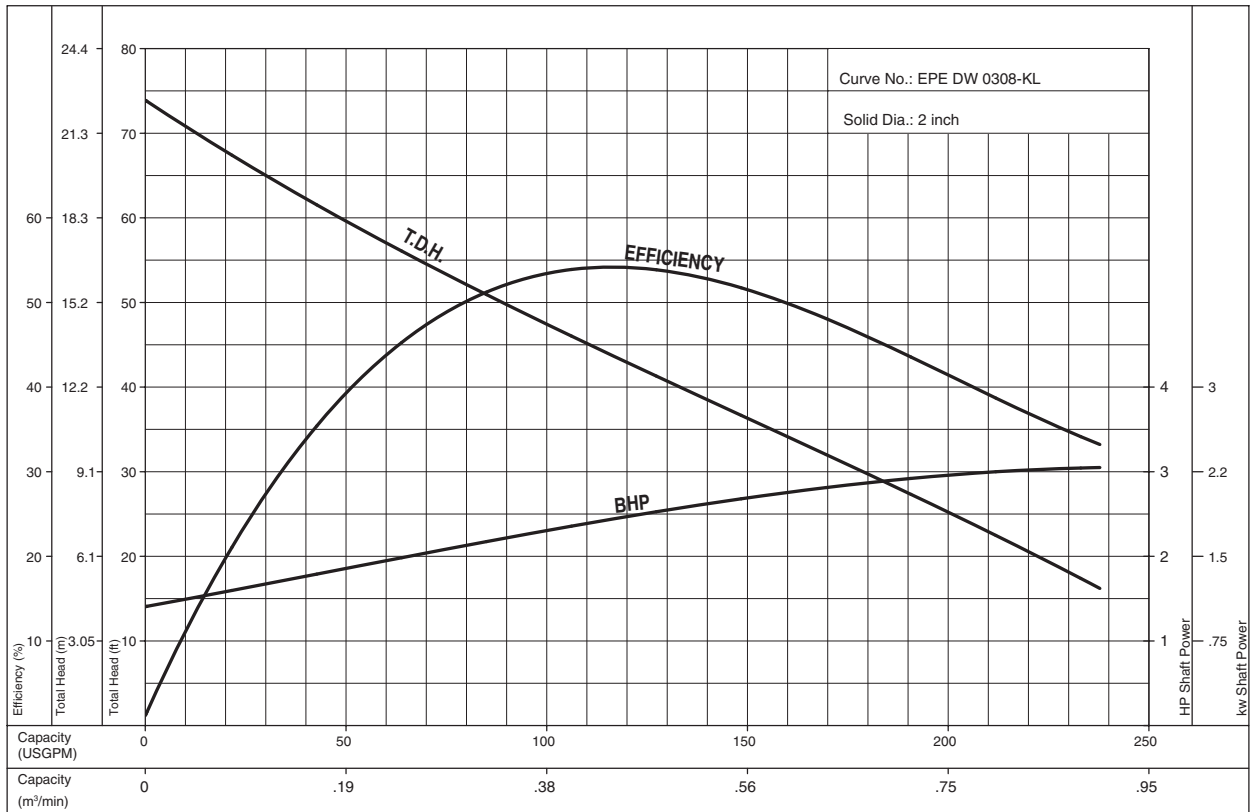
Model:

Chk'd:

Date:

50DW62.2 (3HP) Synchronous Speed: 3600 RPM

2 inch Discharge

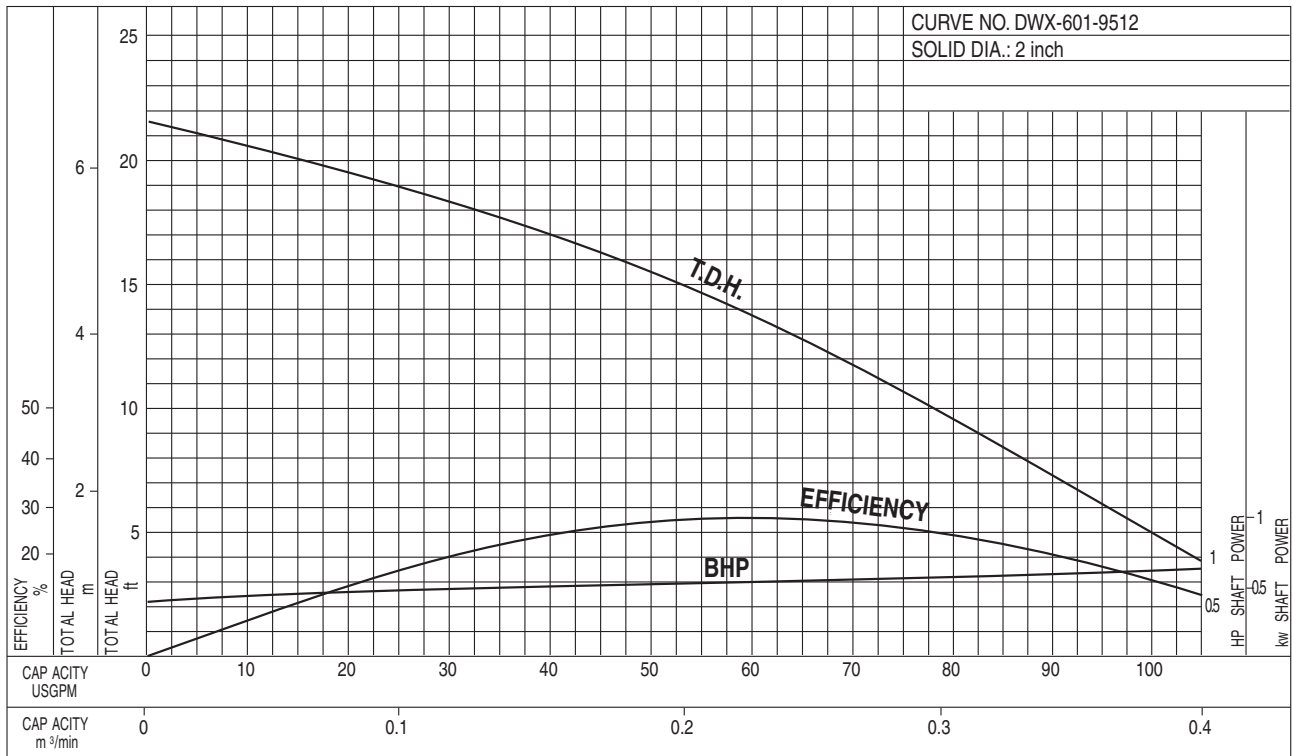


Performance Curves

Project: _____ GPM: _____ TDH: _____ EFF: _____ HP: _____ Chk'd: _____ Date: _____

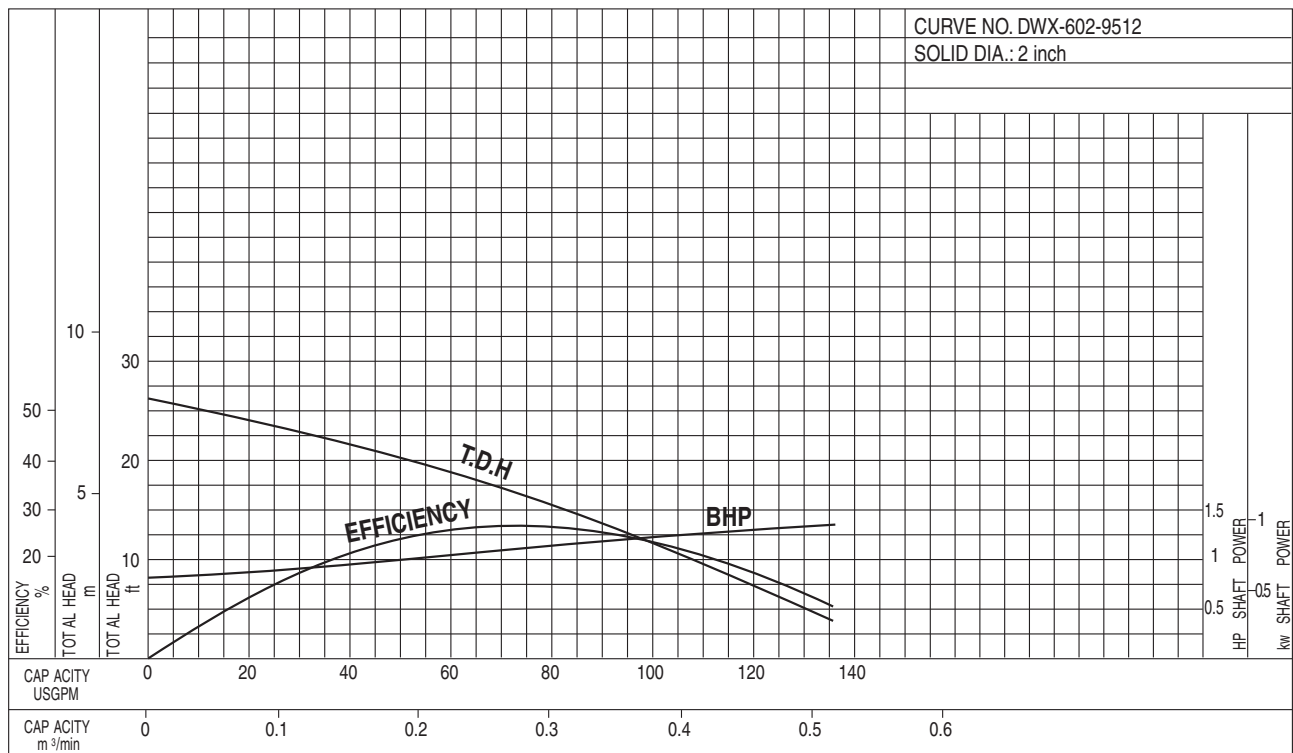
50DWX6.4 (1/2HP) Synchronous Speed: 3600 RPM

2 inch Discharge



50DWX6.75 (1HP) Synchronous Speed: 3600 RPM

2 inch Discharge

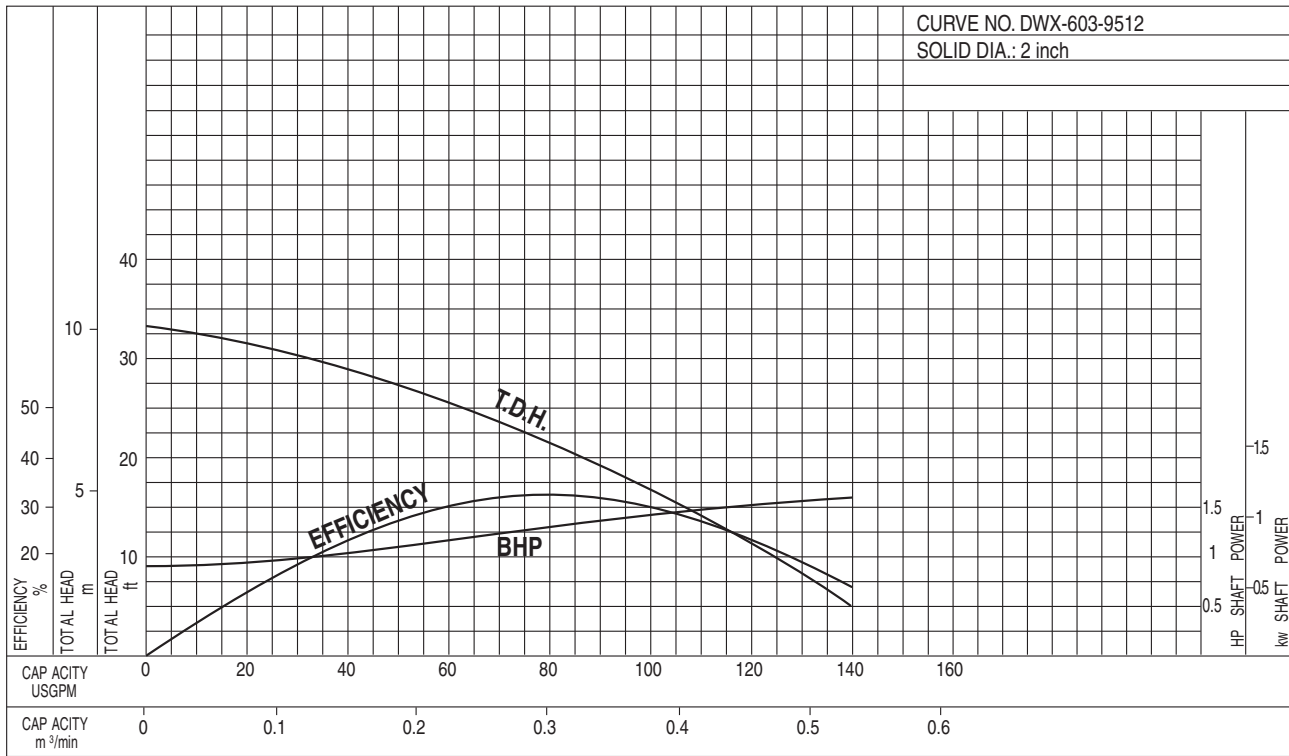


Performance Curves

Project: _____ GPM: _____ TDH: _____ EFF: _____ HP: _____ Chk'd: _____ Date: _____

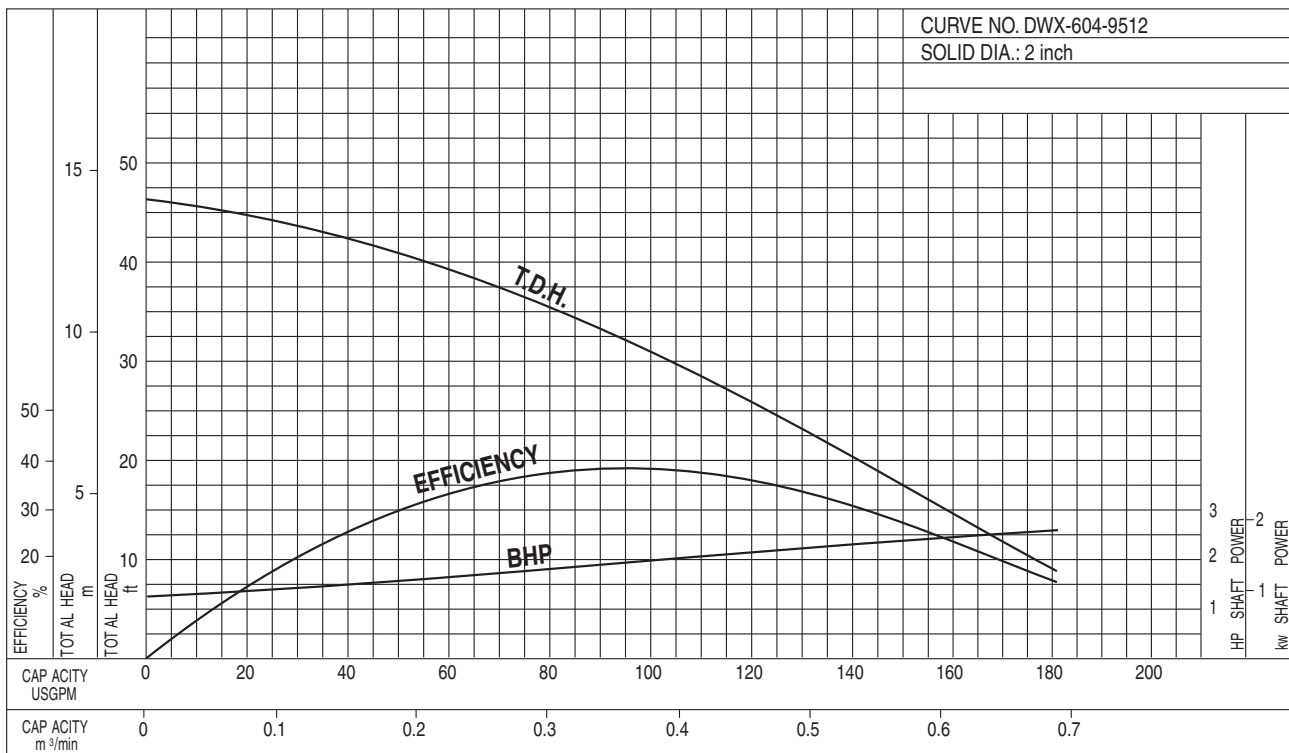
50DWX61.1 (1½HP) Synchronous Speed: 3600 RPM

2 inch Discharge



50DWX61.5 (2HP) Synchronous Speed: 3600 RPM

2 inch Discharge

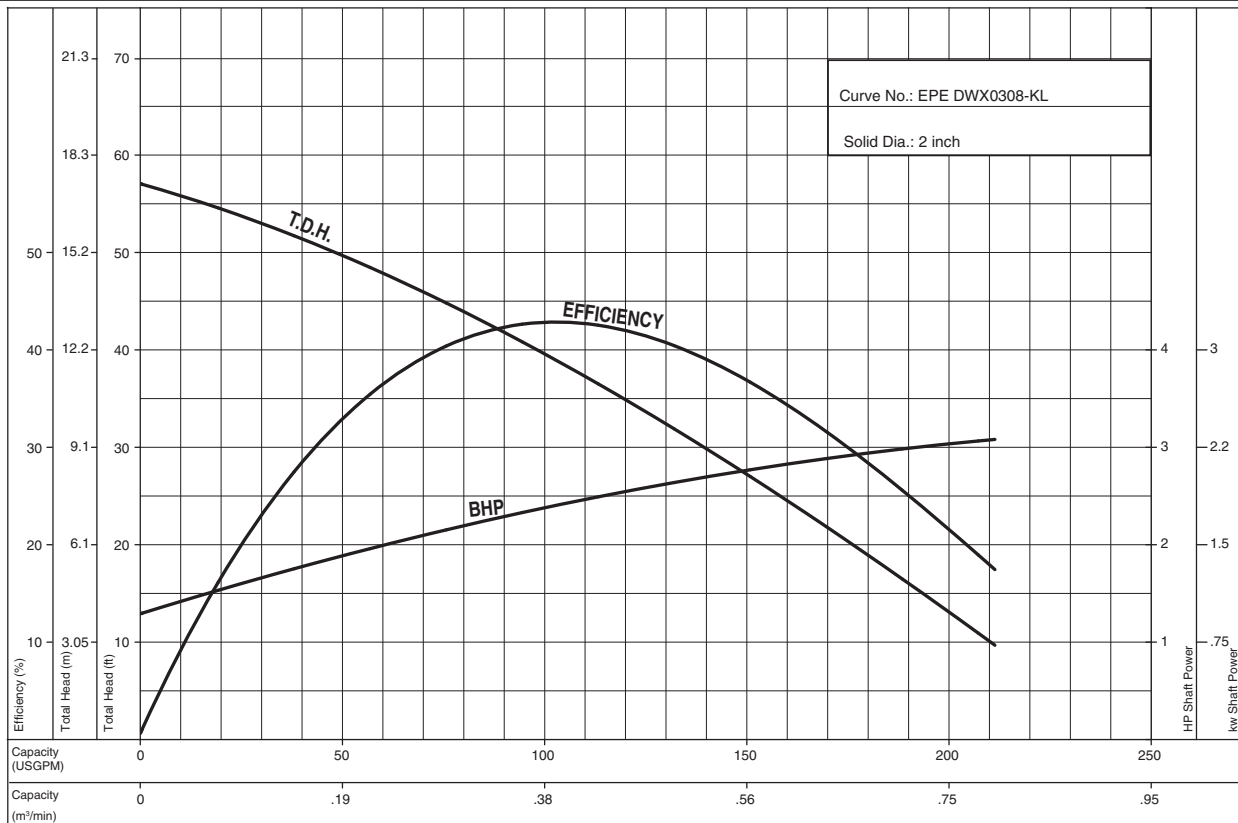


Performance Curves

Project: _____ Model: _____ Chk'd: _____ Date: _____

50DWX62.2 (3HP) Synchronous Speed: 3600 RPM

2 inch Discharge

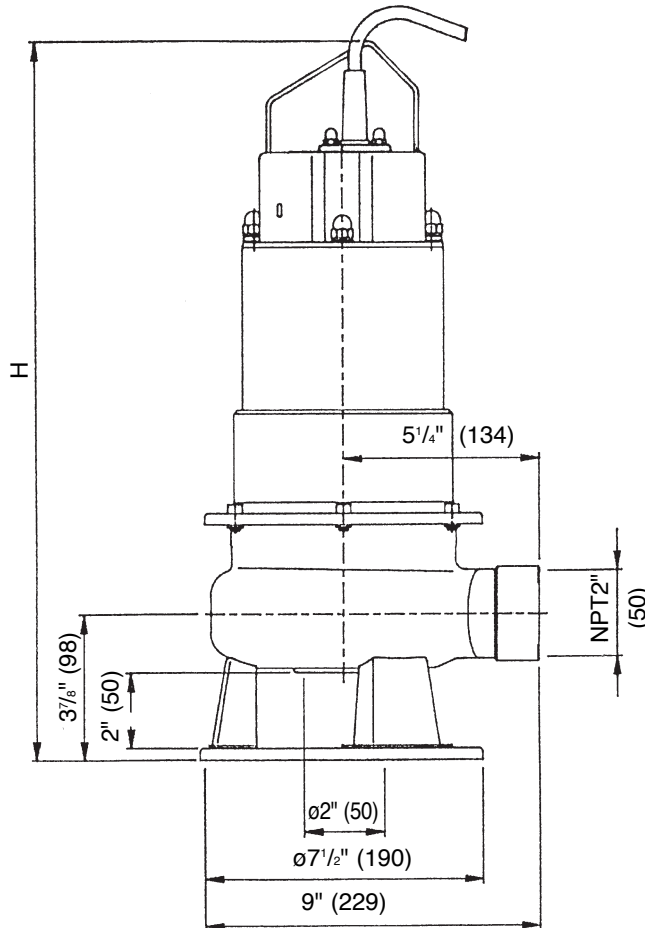


Dimensions

Project: _____ Model: _____ Chk'd: _____ Date: _____

Model DWU
Manual Operation Pumps

Unit: inch (mm)



Note: Three phase motors are equipped with a Power Cable and a Thermal Protection Cable

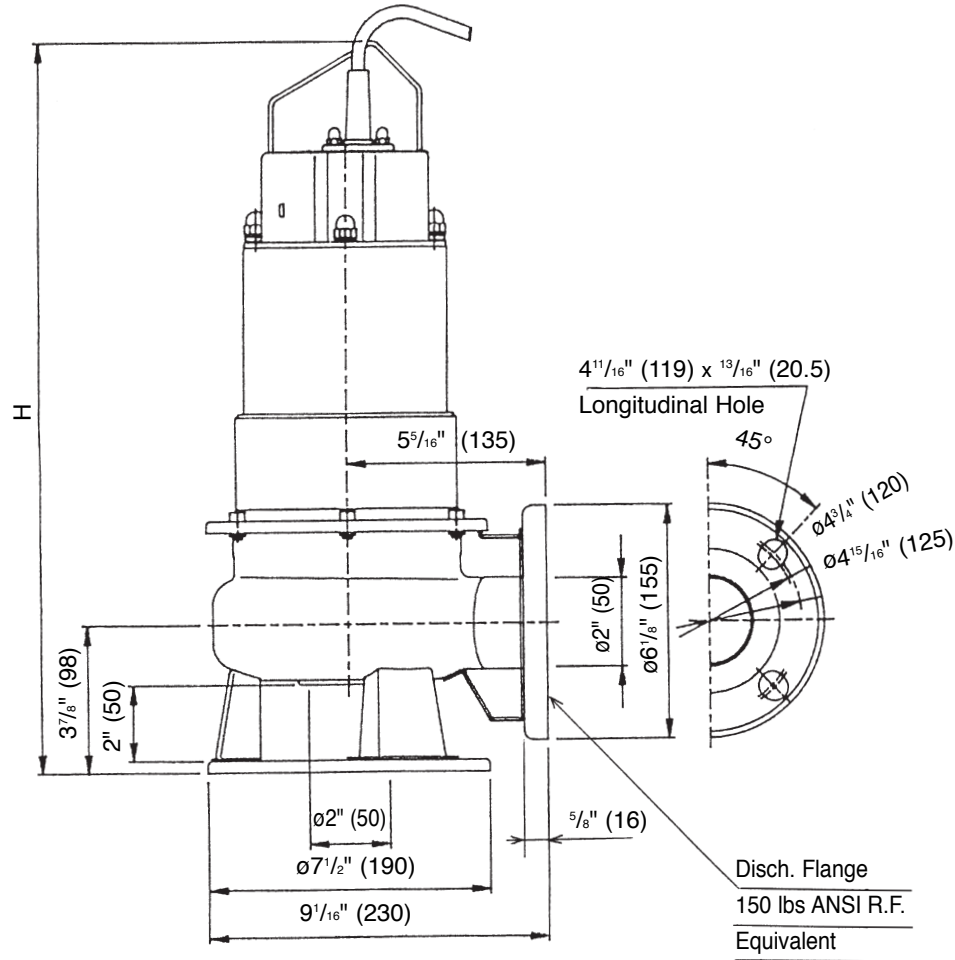
Phase	Size ø	Model	Output		Pump	Weight Lbs (kg)
			kw	HP	H	
Single	2" (50mm)	50DWU6.4S	0.4	1/2	21 ⁵ / ₈ (550)	35 (16)
		50DWU6.75S	0.75	1	22 ¹³ / ₁₆ (580)	40 (18)
		50DWU6.4S2	0.4	1/2	19 ¹ / ₈ (485)	35 (16)
		50DWU6.75S2	0.75	1	20 ¹ / ₄ (515)	40 (18)
		50DWU61.1S2	1.1	1 1/2	20 ¹ / ₄ (515)	44 (20)
		50DWU61.5S2	1.5	2	24 (610)	51 (23)
Three	2" (50mm)	50DWU6.4	0.4	1/2	19 ¹ / ₈ (485)	33 (15)
		50DWU6.75	0.75	1	19 ¹ / ₈ (485)	35 (16)
		50DWU61.1	1.1	1 1/2	20 ¹ / ₄ (515)	40 (18)
		50DWU61.5	1.5	2	20 ¹ / ₄ (515)	44 (20)
		50DWU62.2	2.2	3	21 ⁷ / ₁₆ (545)	55 (25)

Dimensions

Project: _____ Model: _____ Chk'd: _____ Date: _____

Model DWFU
Manual Operation Pumps

Unit: inch (mm)



Note: Three phase motors are equipped with a Power Cable and a Thermal Protection Cable

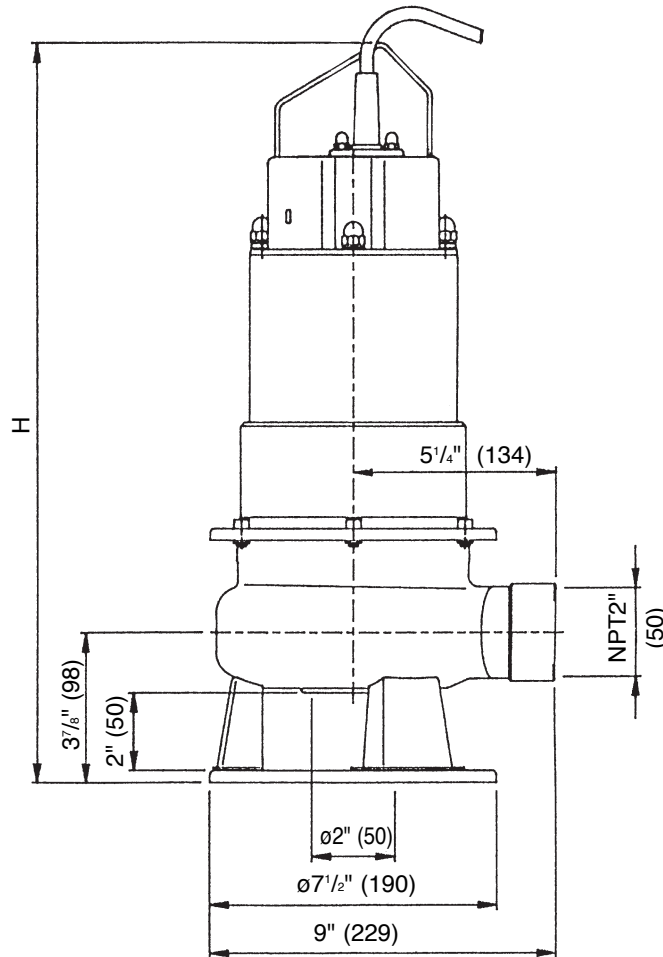
Phase	Size ϕ	Model	Output		Pump	Weight Lbs (kg)
			kw	HP	H	
Single	2" (50mm)	50DWFU6.4S	0.4	$\frac{1}{2}$	$21\frac{5}{8}$ (550)	37 (17)
		50DWFU6.75S	0.75	1	$22\frac{13}{16}$ (580)	42 (19)
		50DWFU6.4S2	0.4	$\frac{1}{2}$	$19\frac{1}{8}$ (485)	37 (17)
		50DWFU6.75S2	0.75	1	$20\frac{1}{4}$ (515)	42 (19)
		50DWFU61.1S2	1.1	$1\frac{1}{2}$	$20\frac{1}{4}$ (515)	46 (21)
		50DWFU61.5S2	1.5	2	24 (610)	53 (24)
Three	2" (50mm)	50DWFU6.4	0.4	$\frac{1}{2}$	$19\frac{1}{8}$ (485)	35 (16)
		50DWFU6.75	0.75	1	$19\frac{1}{8}$ (485)	37 (17)
		50DWFU61.1	1.1	$1\frac{1}{2}$	$20\frac{1}{4}$ (515)	42 (19)
		50DWFU61.5	1.5	2	$20\frac{1}{4}$ (515)	46 (21)
		50DWFU62.2	2.2	3	$21\frac{7}{16}$ (545)	57 (26)

Dimensions

Project: _____ Model: _____ Chk'd: _____ Date: _____

Model DWXU
Manual Operation Pumps

Unit: inch (mm)



Note: Three phase motors are equipped with a Power Cable and a Thermal Protection Cable

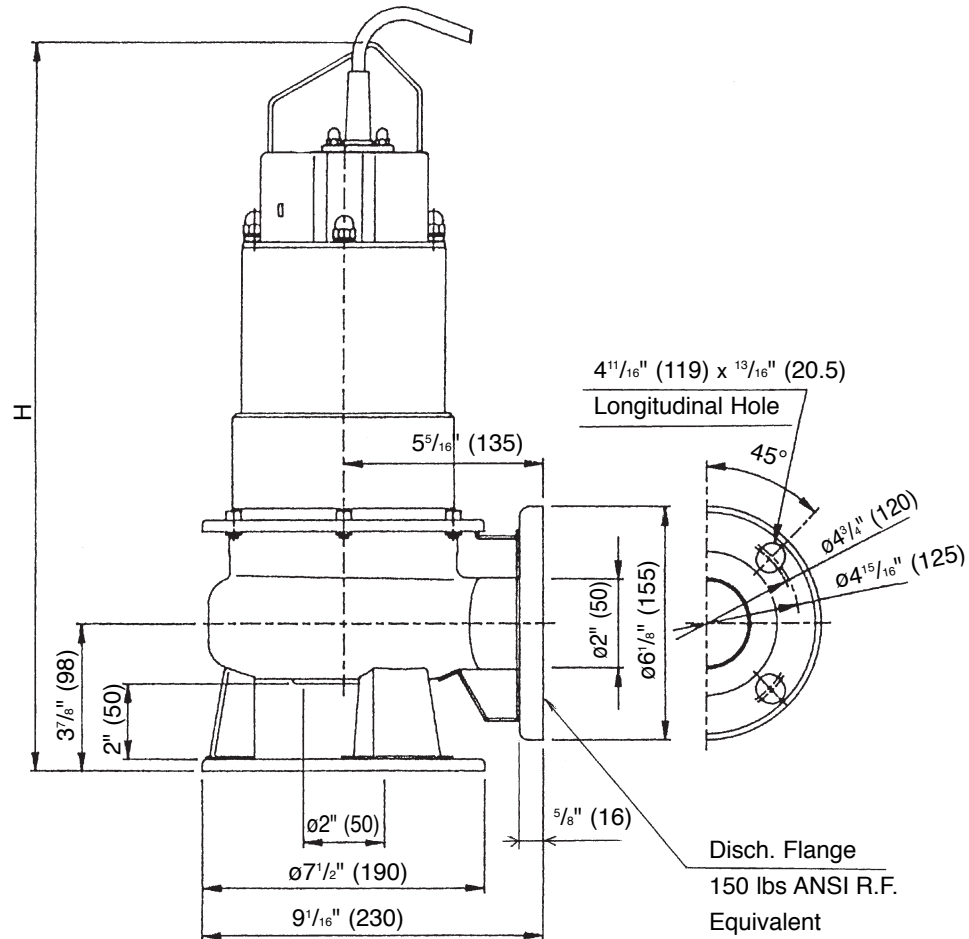
Phase	Size ø	Model	Output		Pump	Weight Lbs (kg)
			kw	HP	H	
Single	2" (50mm)	50DWXU6.4S	0.4	1/2	21 ⁵ / ₈ (550)	35 (16)
		50DWXU6.75S	0.75	1	22 ¹³ / ₁₆ (580)	40 (18)
		50DWXU6.4S2	0.4	1/2	19 ¹ / ₈ (485)	35 (16)
		50DWXU6.75S2	0.75	1	20 ¹ / ₄ (515)	40 (18)
		50DWXU61.1S2	1.1	1 1/2	20 ¹ / ₄ (515)	44 (20)
		50DWXU61.5S2	1.5	2	24 (610)	51 (23)
Three	2" (50mm)	50DWXU6.4	0.4	1/2	19 ¹ / ₈ (485)	33 (15)
		50DWXU6.75	0.75	1	19 ¹ / ₈ (485)	35 (16)
		50DWXU61.1	1.1	1 1/2	20 ¹ / ₄ (515)	40 (18)
		50DWXU61.5	1.5	2	20 ¹ / ₄ (515)	44 (20)
		50DWXU62.2	2.2	3	21 ⁷ / ₁₆ (545)	55 (25)

Dimensions

Project: _____ Model: _____ Chk'd: _____ Date: _____

Model DWXFU
Manual Operation Pumps

Unit: inch (mm)



Note: Three phase motors are equipped with a Power Cable and a Thermal Protection Cable

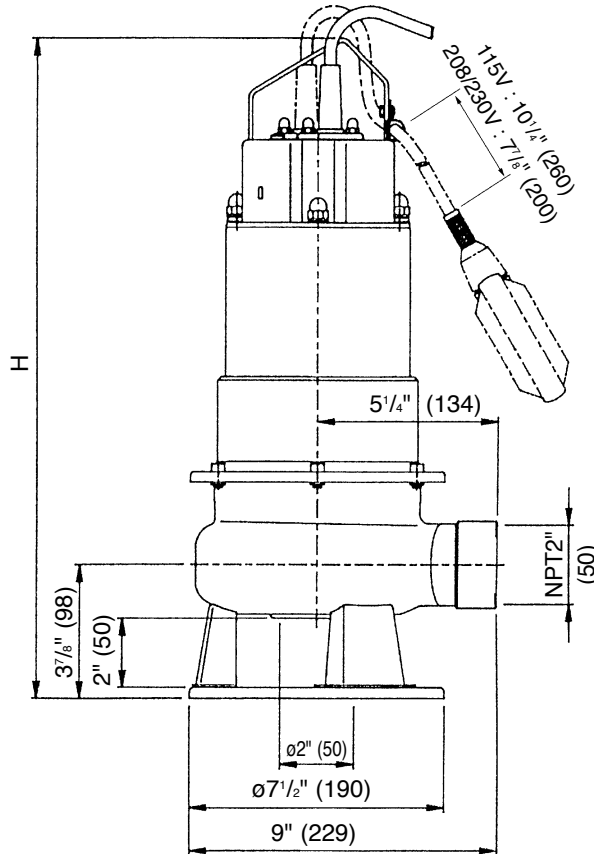
Phase	Size ø	Model	Output		Pump	Weight Lbs (kg)
			kw	HP	H	
Single	2" (50mm)	50DWXFU6.4S	0.4	1/2	21 ⁵ / ₈ (550)	37 (17)
		50DWXFU6.75S	0.75	1	22 ¹³ / ₁₆ (580)	42 (19)
		50DWXFU6.4S2	0.4	1/2	19 ¹ / ₈ (485)	37 (17)
		50DWXFU6.75S2	0.75	1	20 ¹ / ₄ (515)	42 (19)
		50DWXFU61.1S2	1.1	1 1/2	20 ¹ / ₄ (515)	46 (21)
		50DWXFU61.5S2	1.5	2	24 (610)	53 (24)
Three	2" (50mm)	50DWXFU6.4	0.4	1/2	19 ¹ / ₈ (485)	35 (16)
		50DWXFU6.75	0.75	1	19 ¹ / ₈ (485)	37 (17)
		50DWXFU61.1	1.1	1 1/2	20 ¹ / ₄ (515)	42 (19)
		50DWXFU61.5	1.5	2	20 ¹ / ₄ (515)	46 (21)
		50DWXFU62.2	2.2	3	21 ⁷ / ₁₆ (545)	57 (26)

Dimensions

Project: _____ Model: _____ Chk'd: _____ Date: _____

Model DWAU
Model DWXAU
 Automatic Operation Pumps

Unit: inch (mm)



Model DWAU

Phase	Size ø	Model	Output		Pump	Weight Lbs (kg)
			kw	HP	H	
Single	2" (50mm)	50DWAU6.4S	0.4	1/2	21 ⁵ / ₈ (550)	35 (16)
		50DWAU6.75S	0.75	1	22 ¹³ / ₁₆ (580)	40 (18)
		50DWAU6.4S2	0.4	1/2	19 ¹ / ₈ (485)	35 (16)
		50DWAU6.75S2	0.75	1	20 ¹ / ₄ (515)	40 (18)
		50DWAU61.1S2	1.1	1 1/2	20 ¹ / ₄ (515)	44 (20)

Model DWXAU

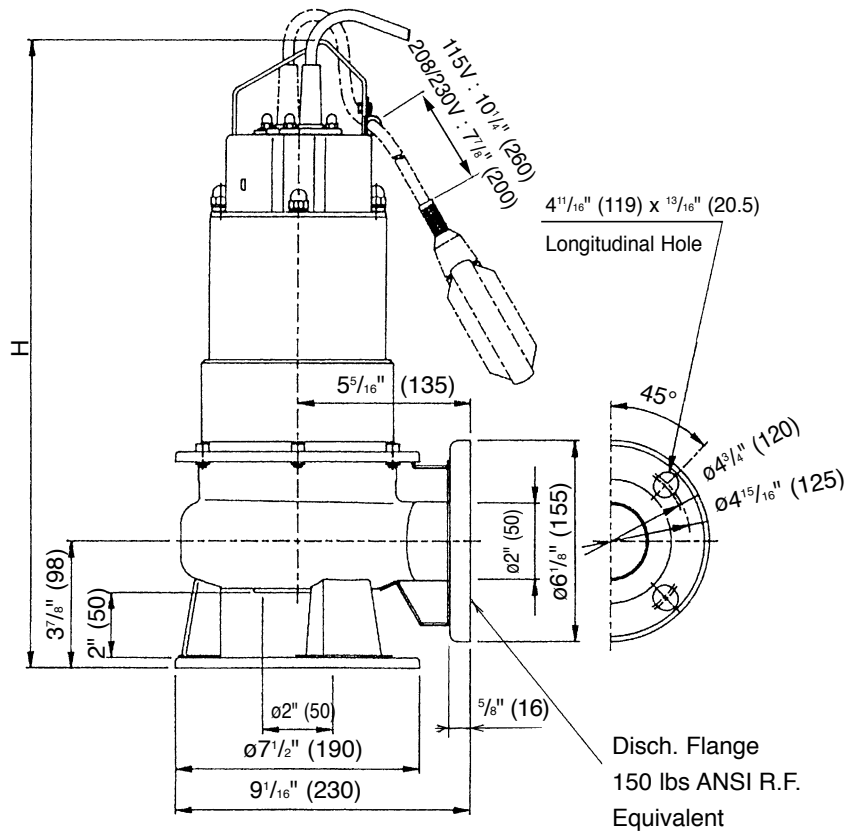
Phase	Size ø	Model	Output		Pump	Weight Lbs (kg)
			kw	HP	H	
Single	2" (50mm)	50DWXAU6.4S	0.4	1/2	21 ⁵ / ₈ (550)	35 (16)
		50DWXAU6.75S	0.75	1	22 ¹³ / ₁₆ (580)	40 (18)
		50DWXAU6.4S2	0.4	1/2	19 ¹ / ₈ (485)	35 (16)
		50DWXAU6.75S2	0.75	1	20 ¹ / ₄ (515)	40 (18)
		50DWXAU61.1S2	1.1	1 1/2	20 ¹ / ₄ (515)	44 (20)

Dimensions

Project: _____ Model: _____ Chk'd: _____ Date: _____

Model DWFAU
Model DWXFAU
 Automatic Operation Pumps

Unit: inch (mm)



Model DWFAU

Phase	Size ø	Model	Output		Pump	Weight Lbs (kg)
			kw	HP	H	
Single	2" (50mm)	50DWFAU6.4S	0.4	1/2	21 ⁵ / ₈ (550)	37 (17)
		50DWFAU6.75S	0.75	1	22 ¹³ / ₁₆ (580)	42 (19)
		50DWFAU6.4S2	0.4	1/2	19 ¹ / ₈ (485)	37 (17)
		50DWFAU6.75S2	0.75	1	20 ¹ / ₄ (515)	42 (19)
		50DWFAU61.1S2	1.1	1 1/2	20 ¹ / ₄ (515)	46 (21)

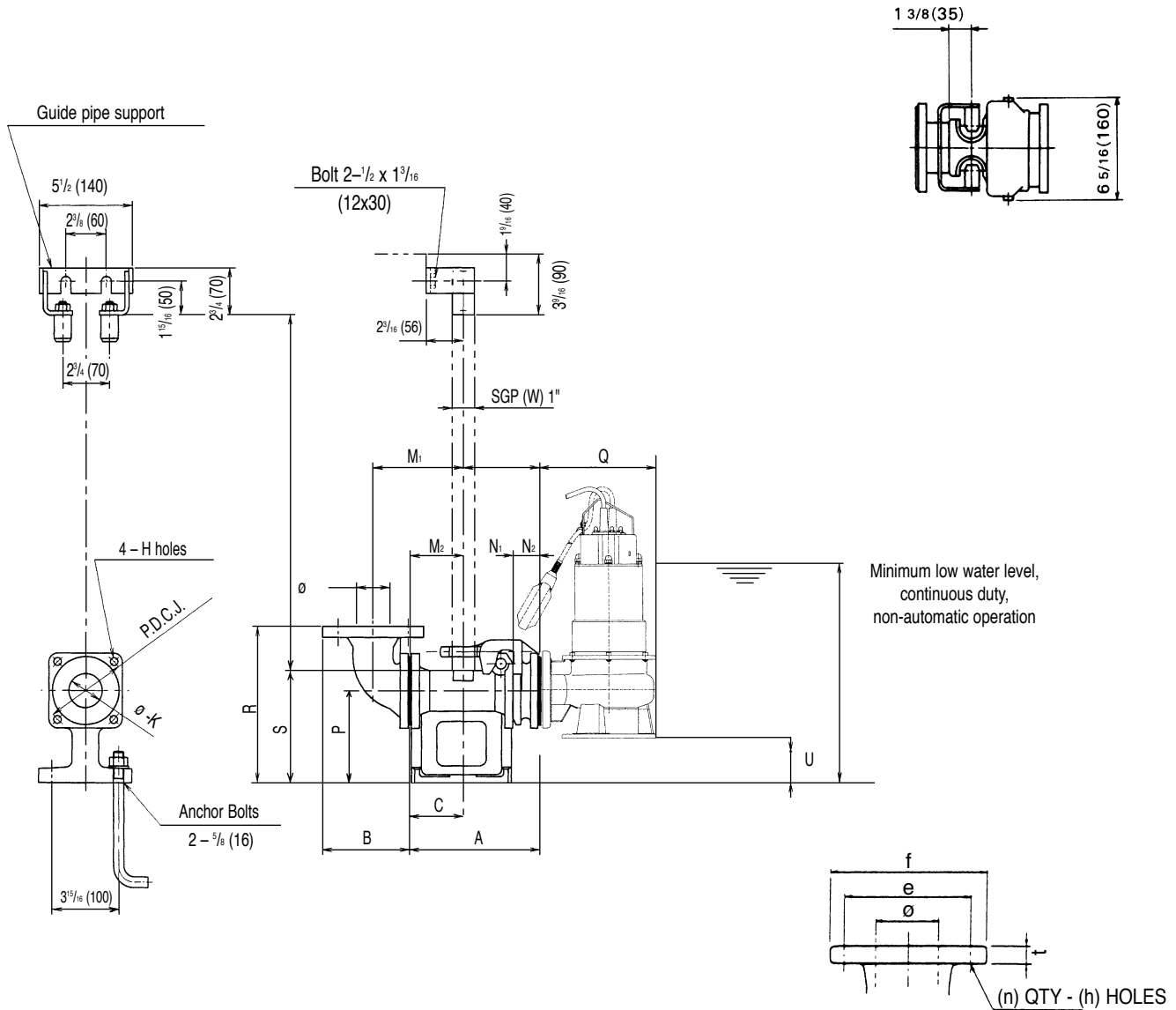
Model DWXFAU

Phase	Size ø	Model	Output		Pump	Weight Lbs (kg)
			kw	HP	H	
Single	2" (50mm)	50DWXFAU6.4S	0.4	1/2	21 ⁵ / ₈ (550)	37 (17)
		50DWXFAU6.75S	0.75	1	22 ¹³ / ₁₆ (580)	42 (19)
		50DWXFAU6.4S2	0.4	1/2	19 ¹ / ₈ (485)	37 (17)
		50DWXFAU6.75S2	0.75	1	20 ¹ / ₄ (515)	42 (19)
		50DWXFAU61.1S2	1.1	1 1/2	20 ¹ / ₄ (515)	46 (21)

Dimensions

Project: _____ Model: _____ Chk'd: _____ Date: _____

Model DWFU with Quick Discharge Connector



Flange (ANSI 125 PSI F.F)

inch					
ø	e	f	t	n	h
2	4 ³ / ₄	6	5 ⁵ / ₈	4	3 ³ / ₄

mm					
ø	e	f	t	n	h
50	121	152	16	4	19

Dimensions: inch

MODEL	A	B	C	H	J	K	M ₁	M ₂	N ₁	N ₂	P	Q	R	S	U	QDC WEIGHT Lb
LM50	7 ¹¹ / ₁₆	5 ¹ / ₄	3 ³ / ₈	1 ¹ / ₂	4 ³ / ₄	2	5 ⁵ / ₁₆	3 ¹ / ₈	4 ¹ / ₂	1 ⁹ / ₁₆	5 ⁵ / ₁₆	9 ¹ / ₈	9 ⁹ / ₁₆	6 ¹ / ₂	2 ⁵ / ₁₆	25

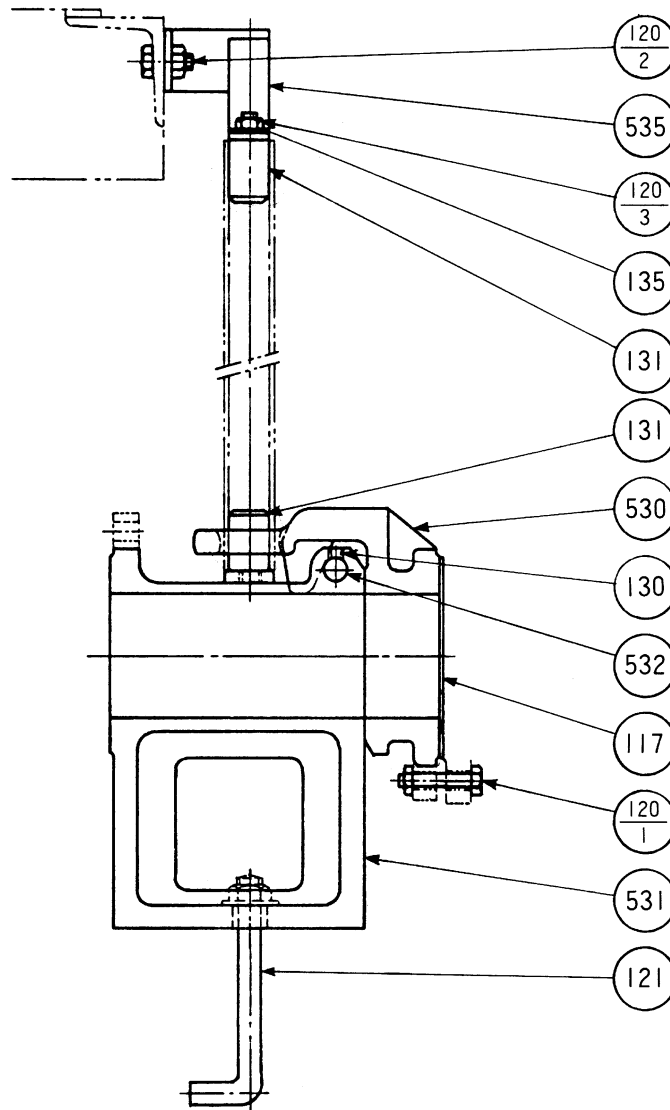
Dimensions: mm

MODEL	A	B	C	H	J	K	M ₁	M ₂	N ₁	N ₂	P	Q	R	S	U	QDC WEIGHT kg
LM50	195	133	80	12	120	2	135	80	115	40	135	230	230	165	55	12

Dimensions

Project: _____ Model: _____ Chk'd: _____ Date: _____

Models LM50



Part No.	Part Name	Material		ASTM, AISI, CODE		No. for 1 Unit
		Model LM	Model LME	Model LM	Model LME	
117	Gasket					1
120-1	Bolt & Nut	304 Stainless		AISI304		4
120-2	Bolt & Nut	304 Stainless		AISI304		2
120-3	Nut	304 Stainless		AISI304		2
121	Anchor Bolt	Steel		A283 Grade D		2
130	Set Screw	304 Stainless		AISI304		1
131	Guide Pin	Steel	Brass	A283 Grade D	B36 C27200	4
135	Washer	304 Stainless		AISI403		2
530	Connector	Cast Iron	Bronze	A48 Class 30	B584 C83600	1
531	Body	Cast Iron		A48 Class 30		1
532	Support Bar	420 Stainless		AISI420		1
535	Guide Support Plate	Steel		A283 Grade D		1



EBARA Submersible Stainless Steel Pumps DWU, DWAU, DWXU, DWXAU – Dominator

Sectional View

Project:

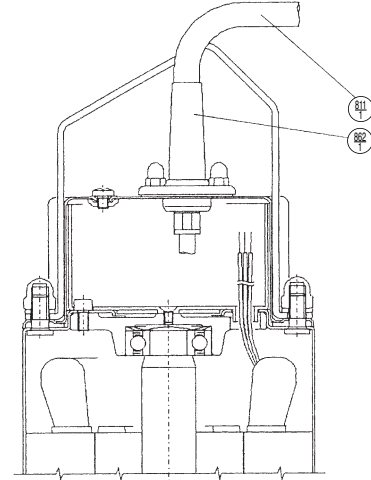
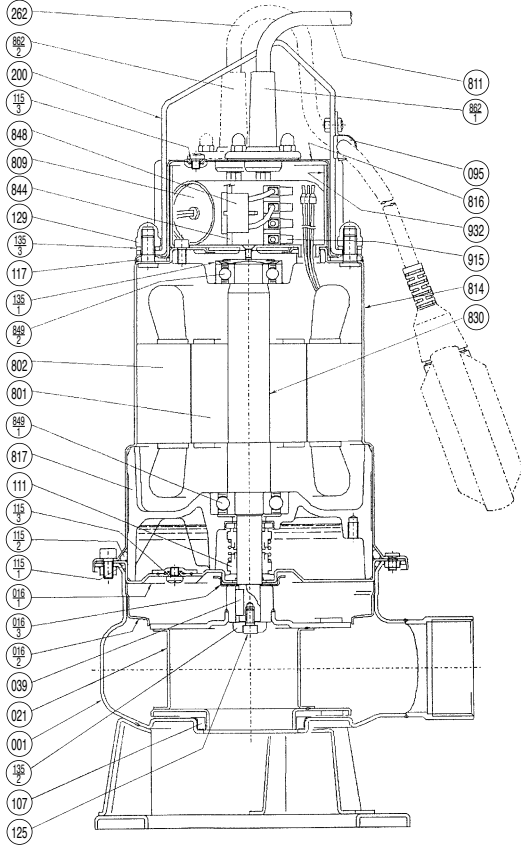
Model:

Chk'd:

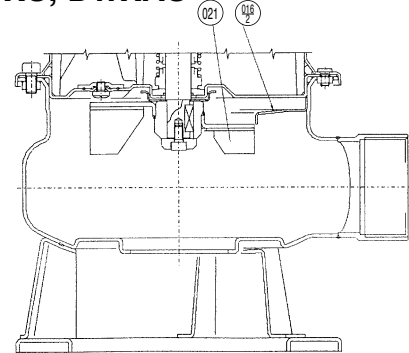
Date:

Model DWU, DWXU Manual Type
Model DWAU, DWXAU Automatic Type
DWU, DWAU Single Phase Motor

Three Phase Motor



DWXU, DWXAU



Part No.	Part Name	Material	ASTM, AISI Code	No. for 1 Unit
001	Casing	304 SS	AISI 304	1
016-1	Casing Cover	304 SS	AISI 304	1
016-2	Disk	304 SS	AISI 304	1
016-3	Seal Support	304 SS	AISI 304	1
021	Impeller	304 SS	AISI 304	1
039	Key	304 SS	AISI 304	1
095	Float Switch Stay	—		1
107	Casing Ring	Viton		1
*111	Mechanical Seal	—		1 Set
*115-1	O-ring	Viton		1
*115-2	O-ring	Viton		1
*115-3	O-ring	Viton		3
*117	Gasket	Viton		1
125	Impeller Bolt	304 SS	AISI 304	1
129	Nut	304 SS	AISI 304	4
135-1	Washer	304 SS	AISI 304	1
135-2	Washer	304 SS	AISI 304	1
135-3	Washer	304 SS	AISI 304	4

Part No.	Part Name	Material	ASTM, AISI Code	No. for 1 Unit
200	Lifting Hanger	304 SS	AISI 304	1
262	Float Switch	—		1
801	Rotor	—		1
802	Stator	—		1
809	Capacitor	—		1
811-1	Submersible Cable	—		1
811-2	Sensor Cable	—		1
814	Motor Frame	304 SS	AISI 304	1
816	Bracket	304 SS	AISI 304	1
817	Bracket	304 SS	AISI 304	1
830	Shaft	304 SS	AISI 304	1
844	Motor Protector Bracket	Plastic		1
848	Motor Protector	—		1
*849-1	Ball Bearing	—		1
*849-2	Ball Bearing	—		1
862-1	Cable Connector	Rubber (NBR)		1
862-2	Cable Connector	Rubber (NBR)		1
915	External Terminal	—		1
932	Capacitor Holder	Nylon		1

Remarks:

- *Recommended spare parts.
- Part No. 095, 262, 862-2 are only installed on automatic operation models.
- Part No. 107 is only installed on model DW/DWA/DWF/DWFA single channel impeller.
- Part No. 809 is only installed on single phase models.
- Part No. 811-2 – Three phase motors are equipped with a Power Cable and a Thermal Protection Cable.
- Part No. 915 is installed only for three phase models.

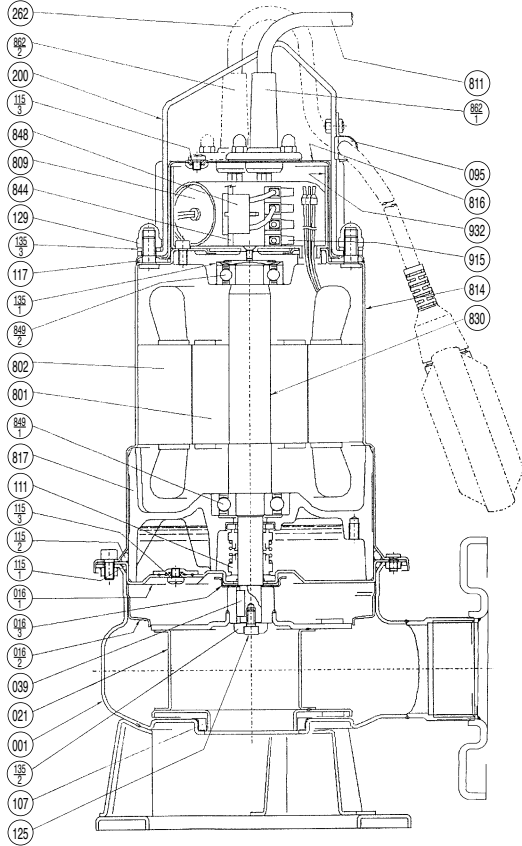
EBARA Submersible Stainless Steel Pumps DWFU, DWFAU, DWXFU, DWXFAU– Dominator

Sectional View

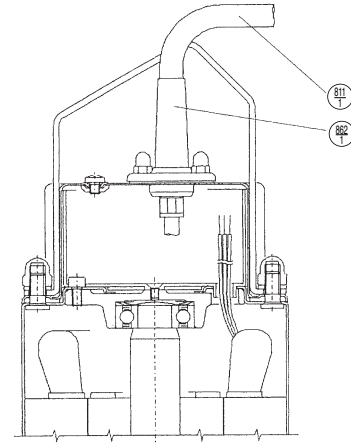
Project: _____ Model: _____ Chk'd: _____ Date: _____

Model DWFU, DWXFU Manual Type
Model DWFAU, DWXFAU Automatic Type

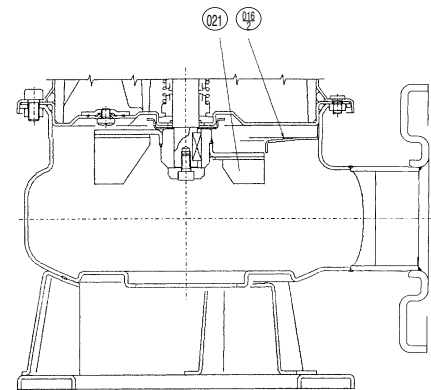
DWFU, DWFAU Single Phase Motor



Three Phase Motor



DWXFU, DWXFAU



Part No.	Part Name	Material	ASTM, AISI Code	No. for 1 Unit
001	Casing	304 SS	AISI 304	1
016-1	Casing Cover	304 SS	AISI 304	1
016-2	Disk	304 SS	AISI 304	1
016-3	Seal Support	304 SS	AISI 304	1
021	Impeller	304 SS	AISI 304	1
039	Key	304 SS	AISI 304	1
095	Float Switch Stay	—		1
107	Casing Ring	Viton		1
*111	Mechanical Seal	—		1 Set
*115-1	O-ring	Viton		1
*115-2	O-ring	Viton		1
*115-3	O-ring	Viton		3
*117	Gasket	Viton		1
125	Impeller Bolt	304 SS	AISI 304	1
129	Nut	304 SS	AISI 304	4
135-1	Washer	304 SS	AISI 304	1
135-2	Washer	304 SS	AISI 304	1
135-3	Washer	304 SS	AISI 304	4

Part No.	Part Name	Material	ASTM, AISI Code	No. for 1 Unit
200	Lifting Hanger	304 SS	AISI 304	1
262	Float Switch	—		1
801	Rotor	—		1
802	Stator	—		1
809	Capacitor	—		1
811-1	Submersible Cable	—		1
811-2	Sensor Cable	—		1
814	Motor Frame	304 SS	AISI 304	1
816	Bracket	304 SS	AISI 304	1
817	Bracket	304 SS	AISI 304	1
830	Shaft	304 SS	AISI 304	1
844	Motor Protector Bracket	Plastic		1
848	Motor Protector	—		1
*849-1	Ball Bearing	—		1
*849-2	Ball Bearing	—		1
862-1	Cable Connector	Rubber (NBR)		1
862-2	Cable Connector	Rubber (NBR)		1
915	External Terminal	—		1
932	Capacitor Holder	Nylon		1

Remarks: *Recommended spare parts.
 Part No. 095, 262, 862-2 are only installed on automatic operation models.
 Part No. 107 is only installed on model DW/DWA/DWF/DWFA single channel impeller.
 Part No. 809 is only installed on single phase models.
 Part No. 811-2 – Three phase motors are equipped with a Power Cable and a Thermal Protection Cable.
 Part No. 915 is only installed on three phase models.

Motor Specification

Project: _____ Model: _____ Chk'd: _____ Date: _____

Model DWU, DWAU, DWFU, DWFAU

Output		Phase	Rating			Locked Rotor Current A	Insulation Class	Overload Protection	Power Cable					Performance Data at Rating Point		Resistance at 20°C Ohms	* Symbols						
HP	kW		Voltage V	Current A	Speed R.P.M.				Type	No. of Cond	mm ²	AWG	Length Ft	Efficiency %	Power Factor %								
1/2	0.4	Single	115	8.3	3350	33.7	F	Built-In Auto Cut	SOOW	3	1.25	#16	25	63.3	98.0	0.67	EI						
			230	4.4	3350	10.7					62.3	95.8		2.44	EI								
1	0.75		115	11	3375	46.8					2.0	#14		74.6	99.0	0.50	EI						
			230	6.5	3375	28.5					1.25	#16		72.8	94.3	1.54	EI						
1 1/2	1.1		230	7.5	3380	36.8					77.6	96.3		1.11	EI								
2	1.5		230	11.1	3479	66.0					79.5	96.0		0.62	EI								
1/2	0.4	Three	230	3.0	3425	23.0	Thermal Sensor	SOOW	4	1.25	#16	25	76.5	62.0	4.15	EI							
			460	1.4	3450	9.9							76.8	70.0	20.0	EI							
1	0.75		230	4.2	3475	32.3							80.4	75.9	2.82	EI							
			460	2.0	3475	18.7							81.0	76.7	12.9	EI							
1 1/2	1.1		230	5.1	3500	47.0							81.7	75.9	1.94	EI							
			460	2.5	3475	24.4							82.6	75.4	7.36	EI							
2	1.5		230	7.3	3475	68.7							81.8	75.1	1.30	EI							
			460	3.6	3475	32.5							82.0	81.3	5.52	EI							
3	2.2		230	8.5	3475	89.2							83.6	87.3	10.59	EI							
			460	4.2	3475	48.5							84	81.3	3.53	EI							
Thermal Protection Cable																							
															SOOW	2	0.75	#18	25				

Motor Specification

Project: _____ Model: _____ Chk'd: _____ Date: _____

Model DWXU, DWXAU, DWXFU, DWXFAU

Output		Phase	Rating			Locked Rotor Current A	Insulation Class	Overload Protection	Power Cable					Performance Data at Rating Point		Resistance at 20°C Ohms	* Symbols					
HP	kW		Voltage V	Current A	Speed R.P.M.				Type	No. of Cond	mm ²	AWG	Length Ft	Efficiency %	Power Factor %							
1/2	0.4	Single	115	8.3	3350	33.7	F	Built-In Auto Cut	SOOW	3	1.25	#16	25	63.3	98.0	0.67	EI					
			230	4.4	3350	10.7					62.3	95.8		2.44	EI							
1	0.75		115	11	3375	46.8					2.0	#14		74.6	99.0	0.50	EI					
			230	6.5	3375	28.5					72.8	94.3		1.54	EI							
1 1/2	1.1		230	7.5	3380	36.8					1.25	#16		77.6	96.3	1.11	EI					
2	1.5		230	11.1	3479	66.0					2.0	#14		79.5	96.0	0.62	EI					
1/2	0.4	Three	230	3.0	3425	23.0		Thermal Sensor	SOOW	4	1.25	#16	25	76.5	62.0	4.15	EI					
			460	1.4	3450	9.9								76.8	70.0	20.0	EI					
1	0.75		230	4.2	3475	32.3								80.4	75.9	2.82	EI					
			460	2.0	3475	18.7								81.0	76.7	12.9	EI					
1 1/2	1.1		230	5.1	3500	47.0								81.7	75.9	1.94	EI					
			460	2.5	3475	24.4								82.6	75.4	7.36	EI					
2	1.5		230	7.3	3475	68.7	81.8							75.1	1.30	EI						
			460	3.6	3475	32.5	82.0							81.3	5.52	EI						
3	2.2		230	8.0	3475	92.5	83.6							87.3	10.59	EI						
			460	4.2	3475	48.2	84.4							81.3	3.53	EI						
Thermal Protection Cable																						
														SOOW	2	0.75	#18	25				

EBARA Submersible Stainless Steel Pumps DWU, DWFU, DWXU, DWXFU – Dominator

Motor Wiring Diagram

Project:

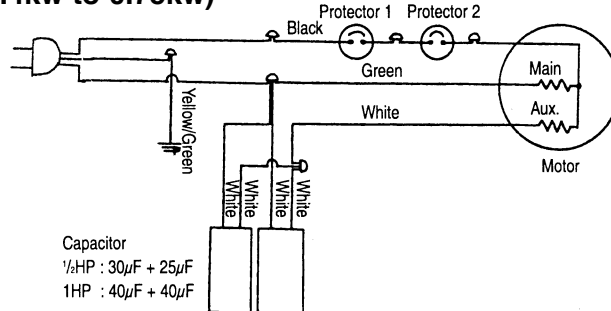
Model:

Chk'd:

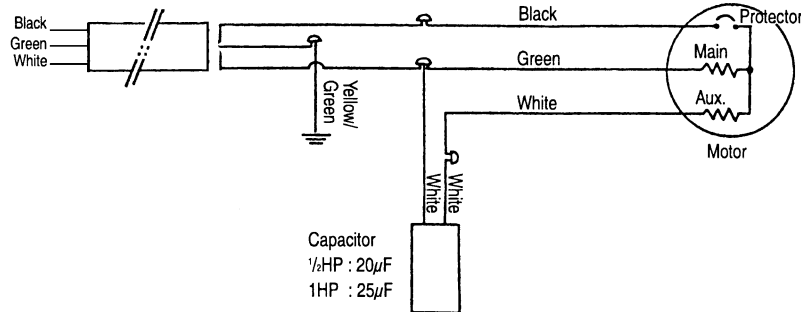
Date:

DWU, DWFU, DWXU, DWXFU Manual Operation Type (Single Phase)

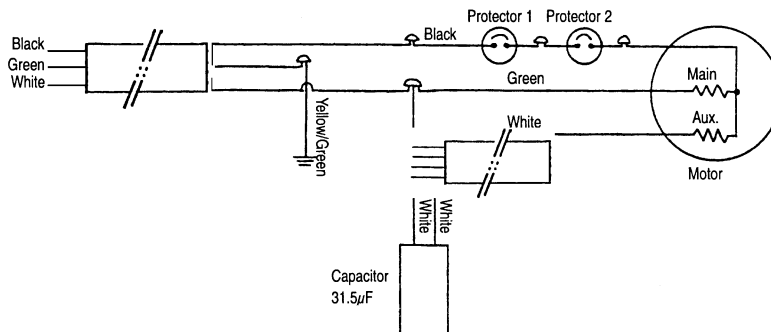
- Output 1/2 to 1 HP (0.4kw to 0.75kw)
115V



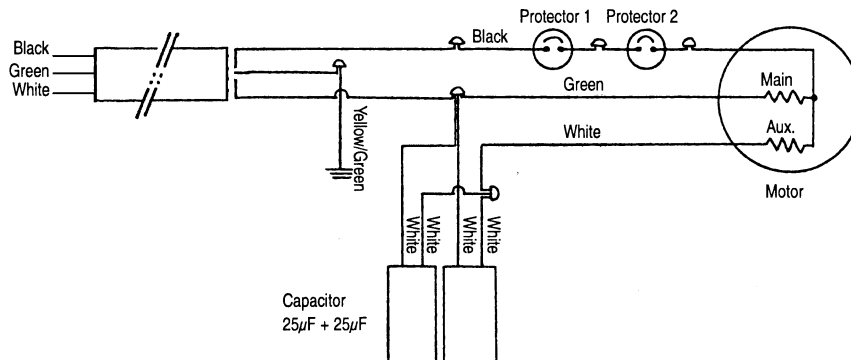
- Output 1/2 to 1 HP (0.4kw to 0.75kw)
230V



- Output 1 1/2HP (1.1kw)
230V



- Output 2HP (1.5kw)
230V



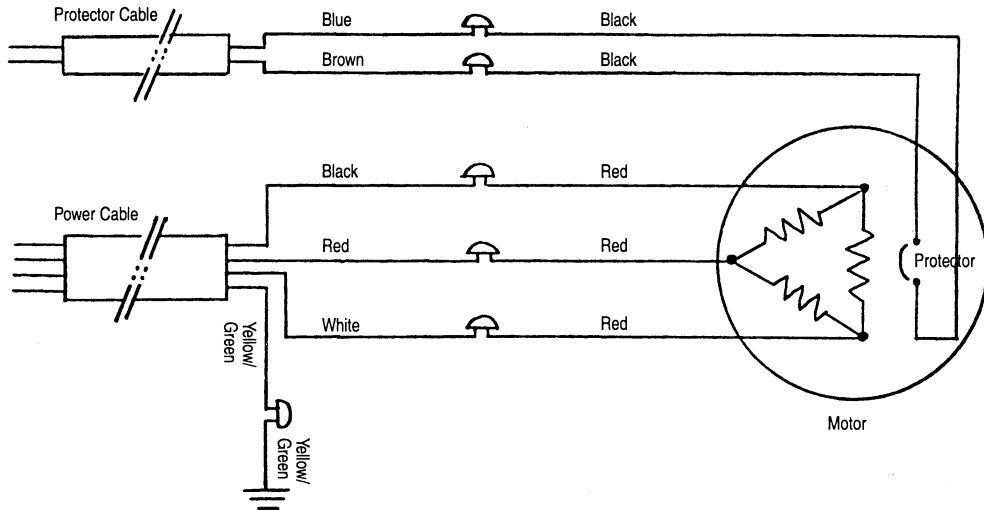
EBARA Submersible Stainless Steel Pumps DWU, DWFU, DWXU, DWXFU – Dominator

Motor Wiring Diagram

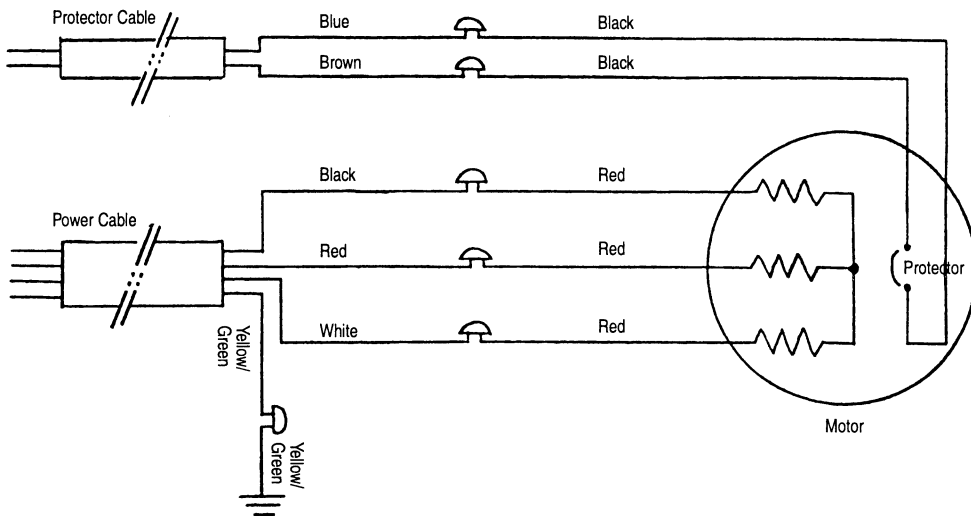
Project: _____ Model: _____ Chk'd: _____ Date: _____

DWU, DWFU, DWXU, DWXFU Manual Operation Type (Three Phase)

230V



460V

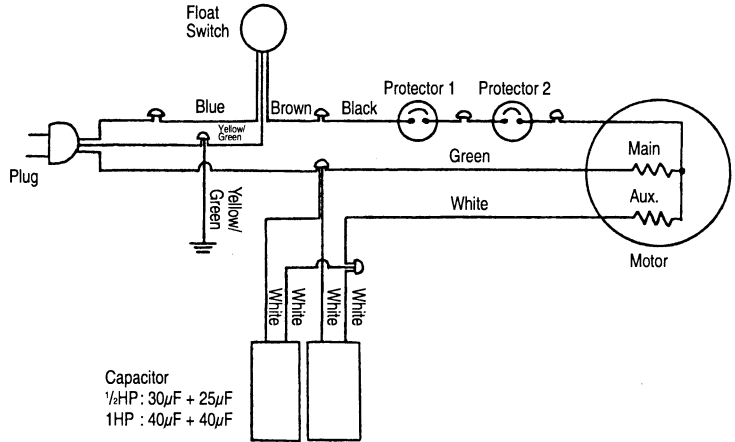


EBARA Submersible Stainless Steel Pumps DWAU, DWFAU, DWXAU, DWXFAU – Dominator Motor Wiring Diagram

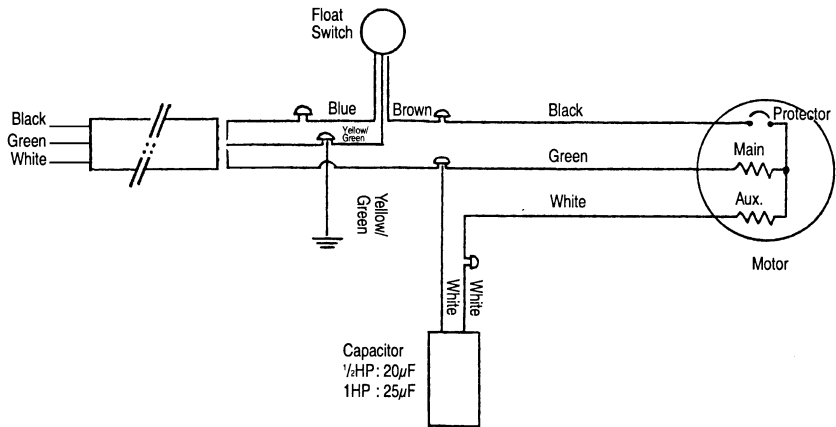
Project: _____ Model: _____ Chk'd: _____ Date: _____

DWAU, DWFAU, DWXAU, DWXFAU Automatic Operation Type (Single Phase)

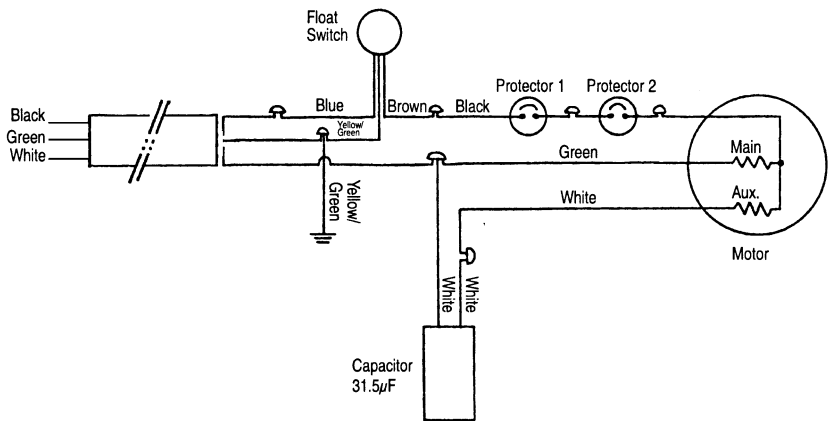
- Output 1/2 to 1 HP (0.4kw to 0.75kw)
115V



230V



- Output 1 1/2HP (1.1kw)
230V



Electrical Data

Project: _____ Model: _____ Chk'd: _____ Date: _____

**Model DW(A)U, DWF(A)U
 DWX(A)U, DWXF(A)U
 1/2 to 1 HP, 60Hz, Single Phase, 115V**

Name- Plate Rating	Item No.				
	Output (HP)	1/2	1		
	Phase	1	1		
	Poles	2	2		
	Volts	115	115		
	Amperes	8.3	11		
	Speed	3350	3375		
	Insulation Class	F	F		
Capacitor μ F	Start				
	Run	55	80		
No Load Test	Amperes	1.36	2.90		
	Watts	284	300		
Resistance at 20°C OHMS	Main Coil	0.66	0.495		
	Aux. Coil	1.973	1.183		
100% Load	Current Amp.	5.3	8.8		
	Efficiency %	63.3	74.6		
	Power Factor %	98.0	99.0		
	Speed RPM	3490	3435		
Locked Rotor Torque %	145	75.5			
Locked Rotor Current Amp.	33.7	46.8			
Number Starts Per Hour	20	20			
Voltage Tolerance %	±5				
Frequency Tolerance %	±5				
(Ref. data Mfr.'s Symbols)	EI	EI			

Electrical Data

Project: _____ Model: _____ Chk'd: _____ Date: _____

**Model DW(A)U, DWF(A)U
 DWX(A)U, DWXF(A)U
 1/2 to 2 HP, 60Hz, Single Phase, 230V**

Name- Plate Rating	Item No.					
	Output (HP)	1/2	1	1 1/2	2*	
	Phase	1	1	1	1	
	Poles	2	2	2	2	
	Volts	230	230	230	230	
	Amperes	4.4	6.5	7.5	11.1	
	Speed	3350	3375	3380	3479	
	Insulation Class	F	F	F	F	
Capacitor μ F	Start					
	Run	20	25	31.5	45	
No Load Test	Amperes	1.65	2.22	2.40	2.73	
	Watts	293	330	370	420	
Resistance at 20°C OHMS	Main Coil	2.38	1.54	1.11	0.62	
	Aux. Coil	5.11	3.47	2.34	1.30	
100% Load	Current Amp.	2.73	4.75	6.40	8.8	
	Efficiency %	62.3	72.8	77.6	79.5	
	Power Factor %	95.8	94.3	96.3	96.0	
	Speed RPM	3490	3460	3440	3440	
Locked Rotor Torque	%	151	67	58	55	
Locked Rotor Current	Amp.	10.7	28.5	36.8	66	
Number Starts Per Hour		20	20	20	20	
Voltage Tolerance	%	±5				
Frequency Tolerance	%	±5				
(Ref. data Mfr's Symbols)		EI	EI	EI	EI	

*Note: 2 hp not available in automatic operation

Electrical Data

Project: _____ Model: _____ Chk'd: _____ Date: _____

**Model DWXU, DWXFU
1/2 to 3HP, 60Hz, Three Phase, 230V**

		Item No.					
Name- Plate Rating	Output (HP)	1/2	1	1 1/2	2	3	
	Phase	3	3	3	3	3	
	Poles	2	2	2	2	2	
	Volts	230	230	230	230	230	
	Amperes	3.00	4.2	5.1	7.3	8.5	
	Speed	3425	3475	3500	3475	3475	
	Insulation Class	F	F	F	F	F	
	Capacitor μ F	Start	—	—	—	—	—
Run		—	—	—	—	—	
No Load Test	Amperes	1.64	1.87	2.68	3.78	2.68	
	Watts	122	146	165	238	120	
Resistance at 20°C OHMS	Coil	4.15	2.82	1.94	1.30	0.884	
100% Load	Current Amp.	1.99	3.14	4.50	6.06	7.5	
	Efficiency %	76.5	80.4	81.7	81.8	83.6	
	Power Factor %	62.0	75.9	75.9	75.1	87.3	
	Speed RPM	3530	3510	3480	3510	3470	
Locked Rotor Torque	%	592	500	440	415	521	
Locked Rotor Current	Amp.	23.0	32.3	47.0	68.7	89.2	
Number Starts Per Hour		20	20	20	20	20	
Voltage Tolerance	%	± 5					
Frequency Tolerance	%	± 5					
(Ref. data Mfr's Symbols)		EI	EI	EI	EI	EI	

Electrical Data

Project: _____ Model: _____ Chk'd: _____ Date: _____

**Model DWXU, DWXFU
1/2 to 3HP, 60Hz, Three Phase, 460V**

		Item No.					
Name- Plate Rating	Output (HP)	1/2	1	1 1/2	2	3	
	Phase	3	3	3	3	3	
	Poles	2	2	2	2	2	
	Volts	460	460	460	460	460	
	Amperes	1.4	2	2.5	3.6	4.2	
	Speed	3450	3450	3450	3450	3500	
	Insulation Class	F	F	F	F	F	
	Capacitor μ F	Start	—	—	—	—	—
Run		—	—	—	—	—	
No Load Test	Amperes	0.63	0.91	1.35	1.37	2.04	
	Watts	111	140	171	214	162	
Resistance at 20°C OHMS	Coil	20.0	13.05	7.43	5.57	3.53	
100% Load	Current Amp.	0.877	1.52	2.23	2.86	4.0	
	Efficiency %	76.8	81.0	82.6	82.0	84.4	
	Power Factor %	70.0	76.7	75.4	81.3	81.3	
	Speed RPM	3525	3505	3515	3505	3505	
Locked Rotor Torque	%	549	475	584	546	521	
Locked Rotor Current	Amp.	9.9	18.7	24.4	32.5	48.5	
Number Starts Per Hour		20	20	20	20	20	
Voltage Tolerance	%	±5					
Frequency Tolerance	%	±5					
(Ref. data Mfr.'s Symbols)		EI	EI	EI	EI	EI	

Technical Information

Project: _____ Model: _____ Chk'd: _____ Date: _____

Mechanical Sectional View

Since the mechanical seal is the most critical part of submersible pumps, EBARA provides the most reliable mechanical seal available for submersible pumps.

DOUBLE MECHANICAL SEALS with SUPER-HARD seal face are provided on all EBARA Dominator submersible pumps.

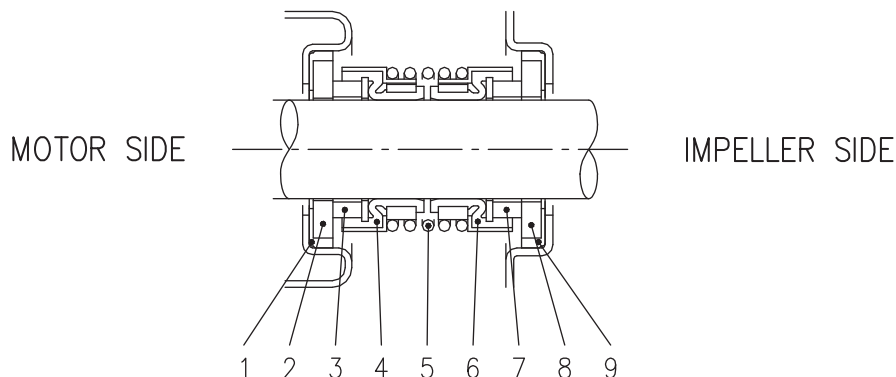
The double mechanical seal in oil chamber provides long life and friction-free sealing of the motor shaft.

Typical construction and materials are as follows:

• **Mechanical Seal**

- Type: MG91-D1/15-G54
- Motor side material: Ceramic/Carbon/NBR
- Impeller side material: SiC/SiC/FPM

- Lubricating Oil: _____
- Type: ESSO MARCOL 152



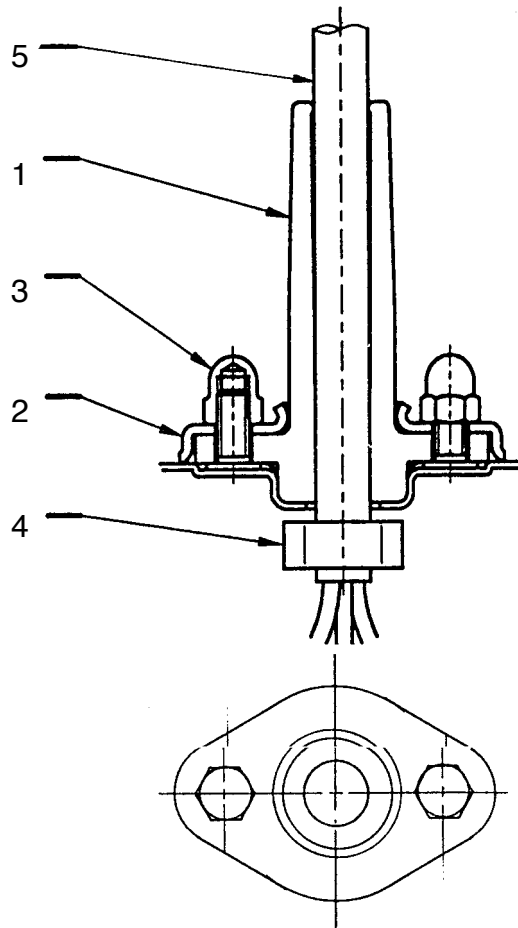
No.	Part Name	Material
1	Rubber seat	NBR
2	Stationary ring	Ceramic
3	Rotary ring	Graphite
4	Rotary seal	Rubber NBR
5	Coil Spring	AISI 304 stainless steel
6	Rotary seal	Rubber FPM
7	Rotary ring	Silicon carbide
8	Stationary ring	Silicon carbide
9	Rubber seat	FPM

Technical Information

Project: _____ Model: _____ Chk'd: _____ Date: _____

Details of Cable Entry

Based on their years of experience, EBARA now provides the most dependable cable entry construction of any submersible pump. Its features are as follows:



Part No.	Part Name	Material	ASTM, AISI Code	Remarks
1	Cable Connector	Rubber (NBR)		
2	Flange	304SS	AISI 304	
3	Cap Nut	304SS	AISI 304	Size: M5
4	Cable Stopper	Steel	A283 Grade D	
5	Submersible Cable	—		SOW-A
	for Float Switch	—		H05RN-F

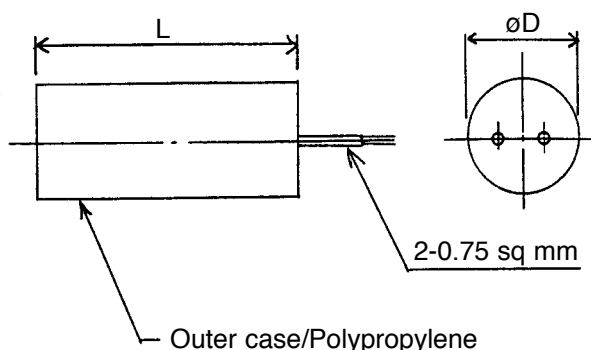
Technical Information

Project: _____ Model: _____ Chk'd: _____ Date: _____

Mechanical Seal and Ball Bearing

Model	Output		Mechanical Seal Type	Lubricating Oil Capacity		Lubricating Oil Name	Ball Bearing	
	HP	kW		Ozs	CC		Bottom	Top
			DWU-DWUFU			1/2		
DWXU-DWXFU	1	0.75	MG91-D1/15-G54	14	385	Esso Marcol 152	6303 ZZ	6203 ZZ
	1 1/2	1.1	MG91-D1/15-G54	14	385		6303 ZZ	6203 ZZ
	2	1.5	MG91-D1/15-G54	14	385		6303 ZZ	6203 ZZ
	3	2.2	MG91-D1/15-G54	14	385		6303 ZZ	6203 ZZ

Capacitor



Phase	Output		Voltage (V)	Specification			Dimension		Remarks
	kW	HP		Capacity (μF)	Rated Voltage (V)	Max. Temp. ($^{\circ}\text{F}$)	D	L	
Single	0.4	1/2	115	25	250	185	1 ⁷ / ₁₆	2 ⁷ / ₈	
				30	250	185	1 ⁹ / ₁₆	2 ⁷ / ₈	
			230	20	450	185	1 ⁹ / ₁₆	2 ⁷ / ₈	
	0.75	1	115	40	250	185	1 ⁷ / ₁₆	3 ¹³ / ₁₆	Use 2 pcs.
			230	25	450	185	1 ⁷ / ₁₆	3 ¹³ / ₁₆	
	1.1	1 1/2	230	31.5	450	185	1 ⁹ / ₁₆	3 ¹³ / ₁₆	
1.5	2	230	25	450	185	1 ⁹ / ₁₆	2 ⁷ / ₈		
			25	450	185	1 ⁷ / ₁₆	3 ¹³ / ₁₆		

Technical Information

Project: _____ Model: _____ Chk'd: _____ Date: _____

Maximum Submergence of Pumps

EBARA submersible pumps shall be capable of continuous submergence underwater without loss of watertight integrity to the following depths:

Model	Operation	Maximum Submergence
DWU DWFU DWXU DWXFU	Manual Operation	33 ft.
DWAU DWFAU DWXAU DWXFAU	Automatic Operation (A)	33 ft.

