

Pump:

Type: Advance 4000 Speed: 3,450 rpm
 Connection Sizes: Suction: 2.0 in
 Discharge: 2.0 in

Fluid:

Water Temperature: 60 °F
 SG: 1 Vapor pressure: 0.2563 psi a
 Viscosity: 1.105 cP Atm pressure: 14.7 psi a

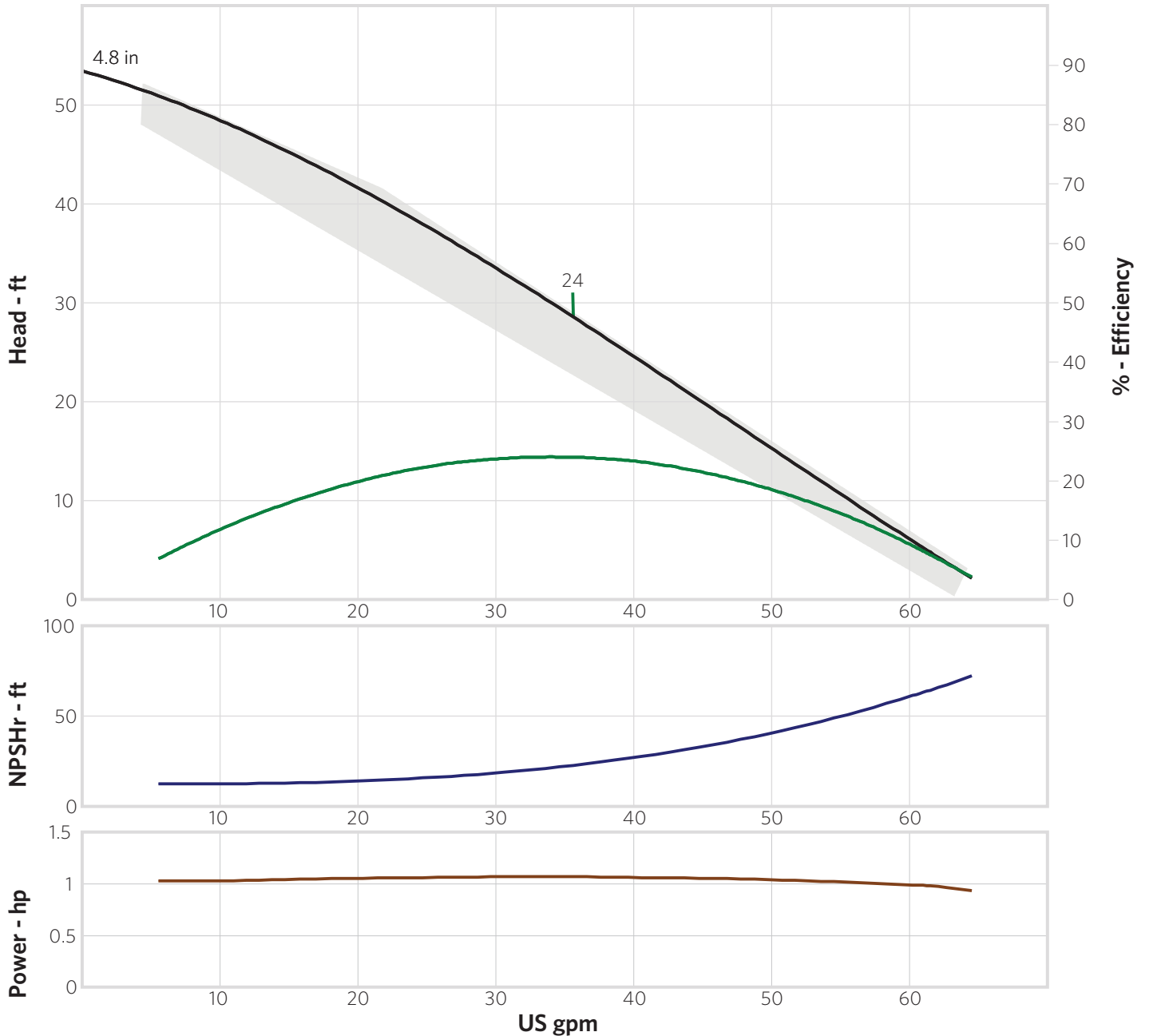
Pump Limits:

Temperature: 180 °F
 Pressure: 100 psi g

Motor:

Standard: NEMA Full Speed: 3,450 rpm
 Enclosure: TEFC

Sizing criteria: Max Power on Design Curve



Pump:

Type: Advance 4000 Speed: 3,450 rpm
 Connection Sizes: Suction: 2.0 in
 Discharge: 2.0 in

Fluid:

Water Temperature: 60 °F
 SG: 1 Vapor pressure: 0.2563 psi a
 Viscosity: 1.105 cP Atm pressure: 14.7 psi a

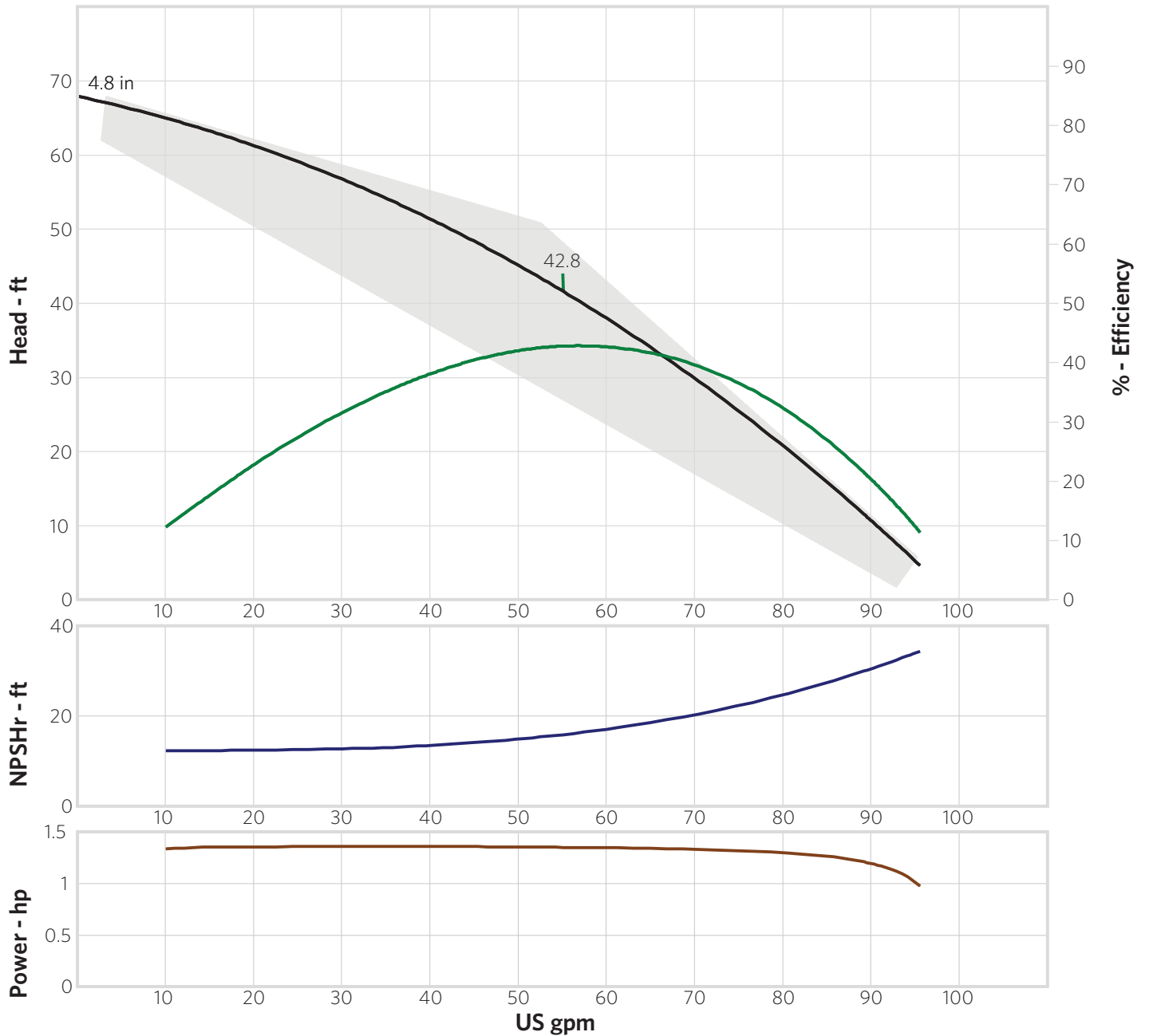
Pump Limits:

Temperature: 180 °F
 Pressure: 100 psi g

Motor:

Standard: NEMA Full Speed: 3,450 rpm
 Enclosure: TEFC

Sizing criteria: Max Power on Design Curve



Pump:

Type: Advance 4000 Speed: 3,450 rpm
 Connection Sizes: Suction: 2.0 in
 Discharge: 2.0 in

Fluid:

Water Temperature: 60 °F
 SG: 1 Vapor pressure: 0.2563 psi a
 Viscosity: 1.105 cP Atm pressure: 14.7 psi a

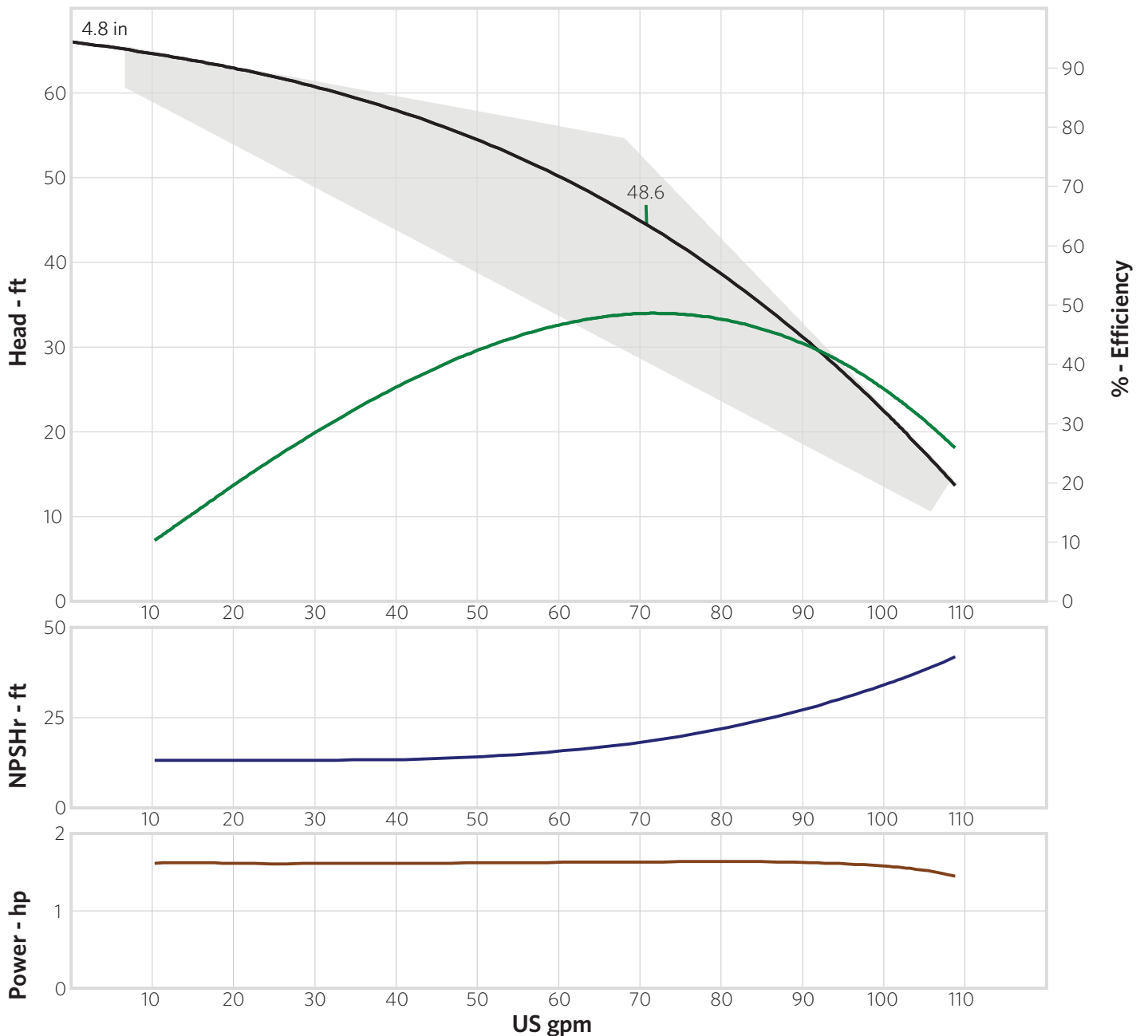
Pump Limits:

Temperature: 180 °F
 Pressure: 100 psi g

Motor:

Standard: NEMA Full Speed: 3,450 rpm
 Enclosure: TEFC

Sizing criteria: Max Power on Design Curve



Pump:

Type: Advance 4000
 Speed: 3,450 rpm
 Connection Sizes:
 Suction: 2.0 in
 Discharge: 2.0 in

Fluid:

Water
 SG: 1
 Viscosity: 1.105 cP
 Temperature: 60 °F
 Vapor pressure: 0.2563 psi a
 Atm pressure: 14.7 psi a

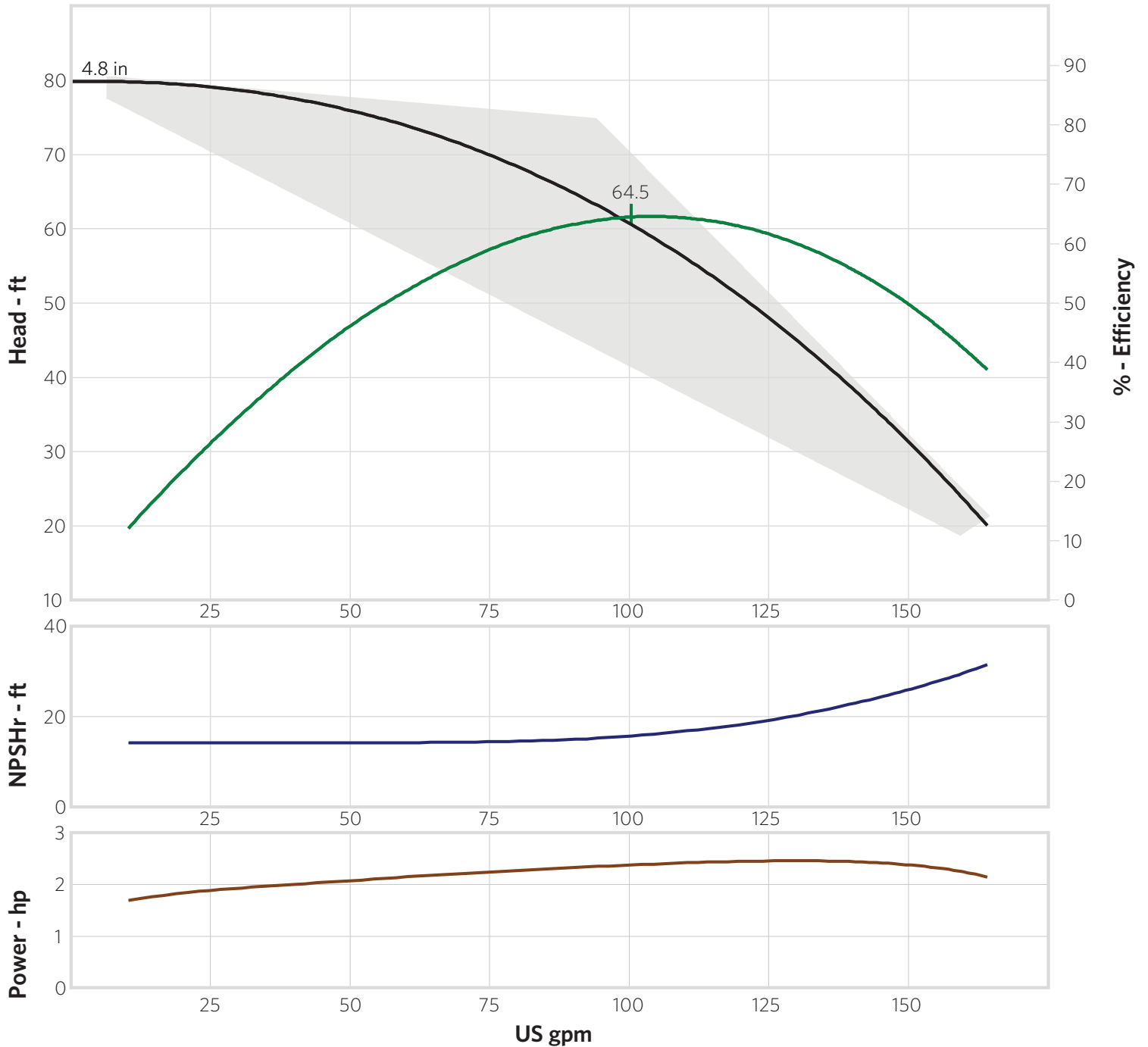
Pump Limits:

Temperature: 180 °F
 Pressure: 100 psi g

Motor:

Standard: NEMA
 Enclosure: TEFC
 Full Speed: 3,450 rpm

Sizing criteria: Max Power on Design Curve



Pump:

Type: Advance 4000 Speed: 3,450 rpm
 Connection Sizes: Suction: 2.0 in
 Discharge: 2.0 in

Fluid:

Water Temperature: 60 °F
 SG: 1 Vapor pressure: 0.2563 psi a
 Viscosity: 1.105 cP Atm pressure: 14.7 psi a

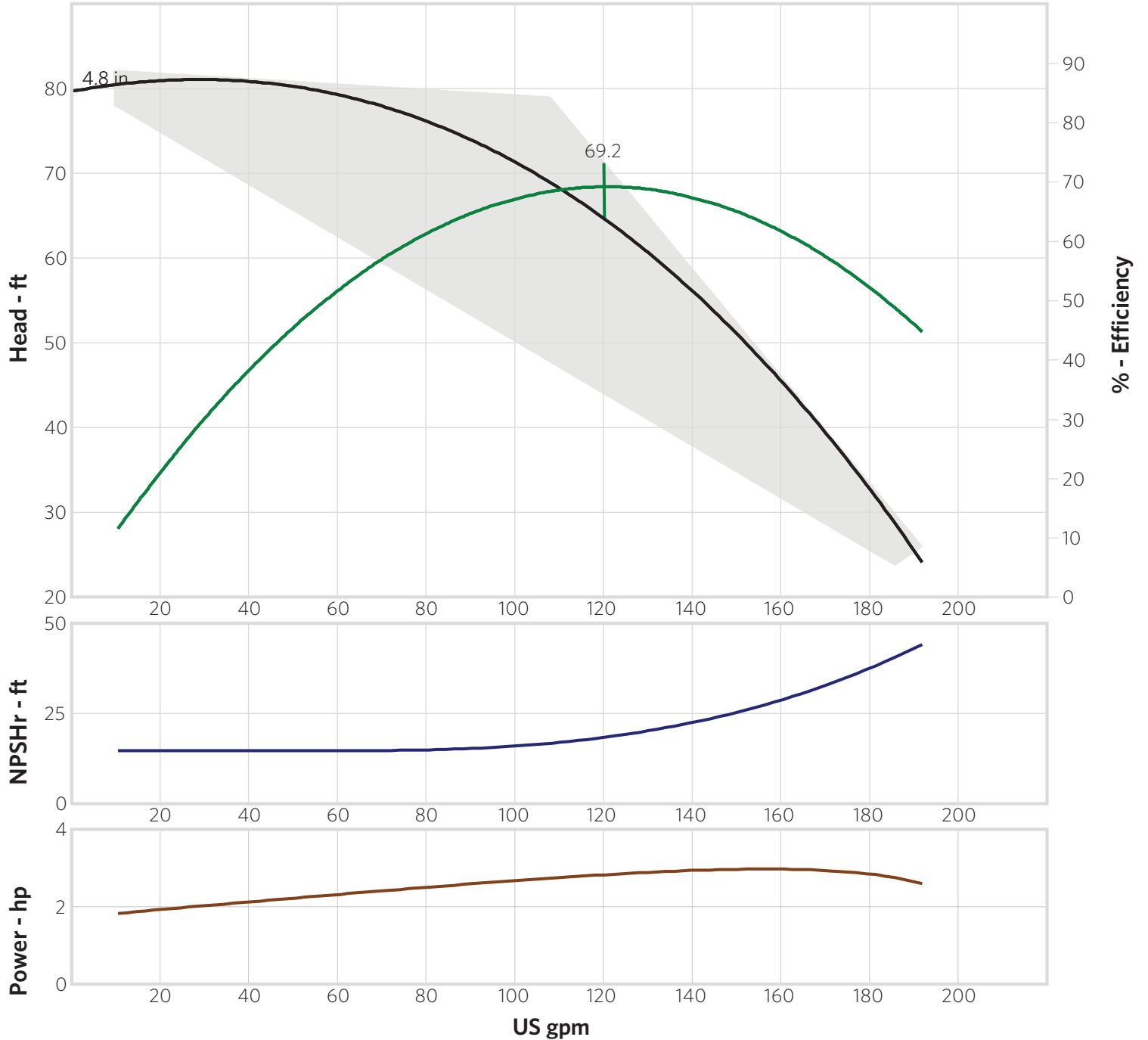
Pump Limits:

Temperature: 180 °F
 Pressure: 100 psi g

Motor:

Standard: NEMA Full Speed: 3,450 rpm
 Enclosure: TEFC

Sizing criteria: Max Power on Design Curve



Pump:

Type: Advance 4000
 Speed: 3,450 rpm
 Connection Sizes:
 Suction: 2.0 in
 Discharge: 2.0 in

Fluid:

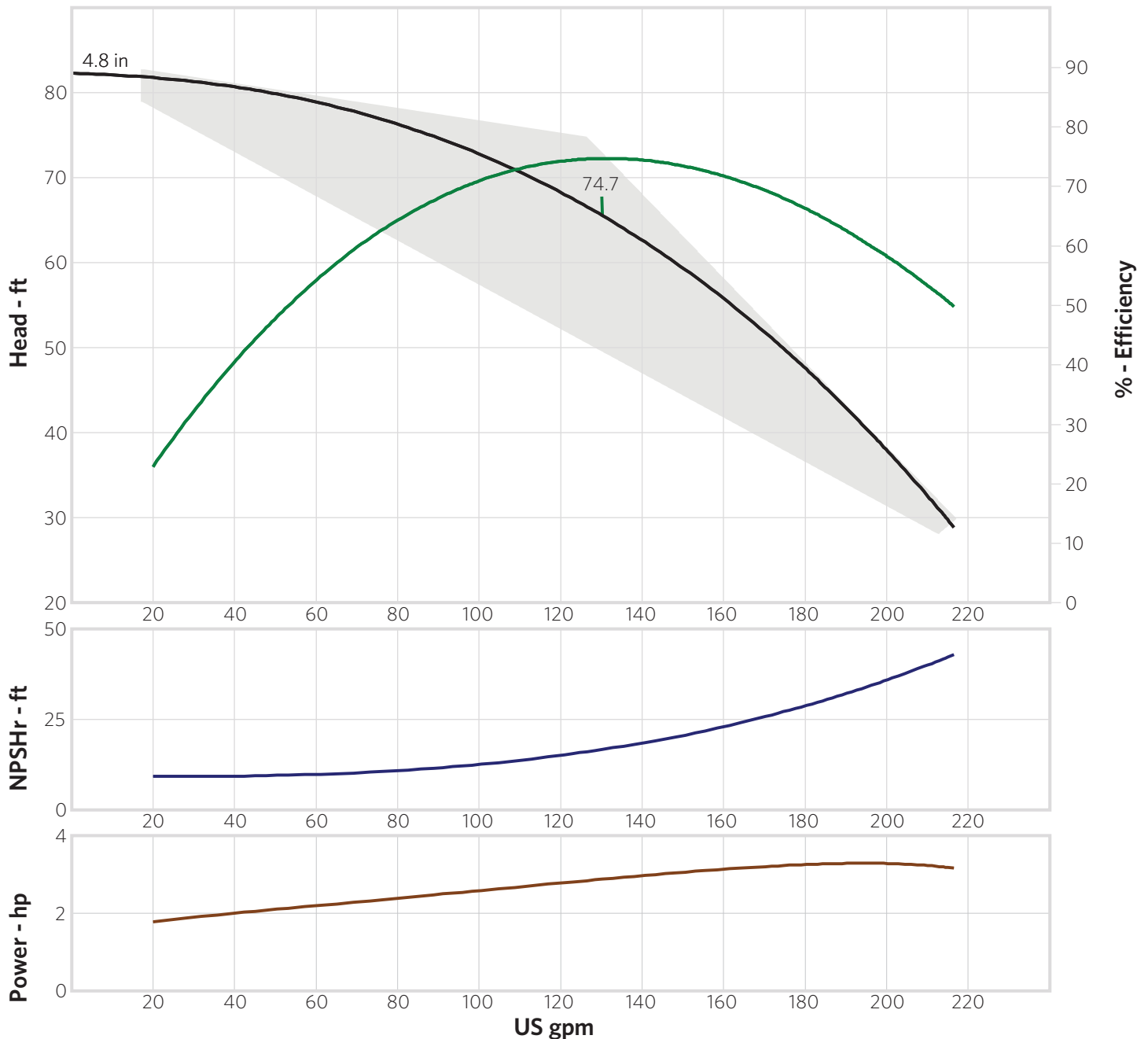
Water
 SG: 1
 Viscosity: 1.105 cP
 Temperature: 60 °F
 Vapor pressure: 0.2563 psi a
 Atm pressure: 14.7 psi a

Pump Limits:

Temperature: 180 °F
 Pressure: 100 psi g

Motor:

Standard: NEMA
 Enclosure: TEFC
 Full Speed: 3,450 rpm
 Sizing criteria: Max Power on Design Curve



Pump:

Type: Advance 4000 Speed: 3,450 rpm
 Connection Sizes: Suction: 2.0 in
 Discharge: 2.0 in

Fluid:

Water Temperature: 60 °F
 SG: 1 Vapor pressure: 0.2563 psi a
 Viscosity: 1.105 cP Atm pressure: 14.7 psi a

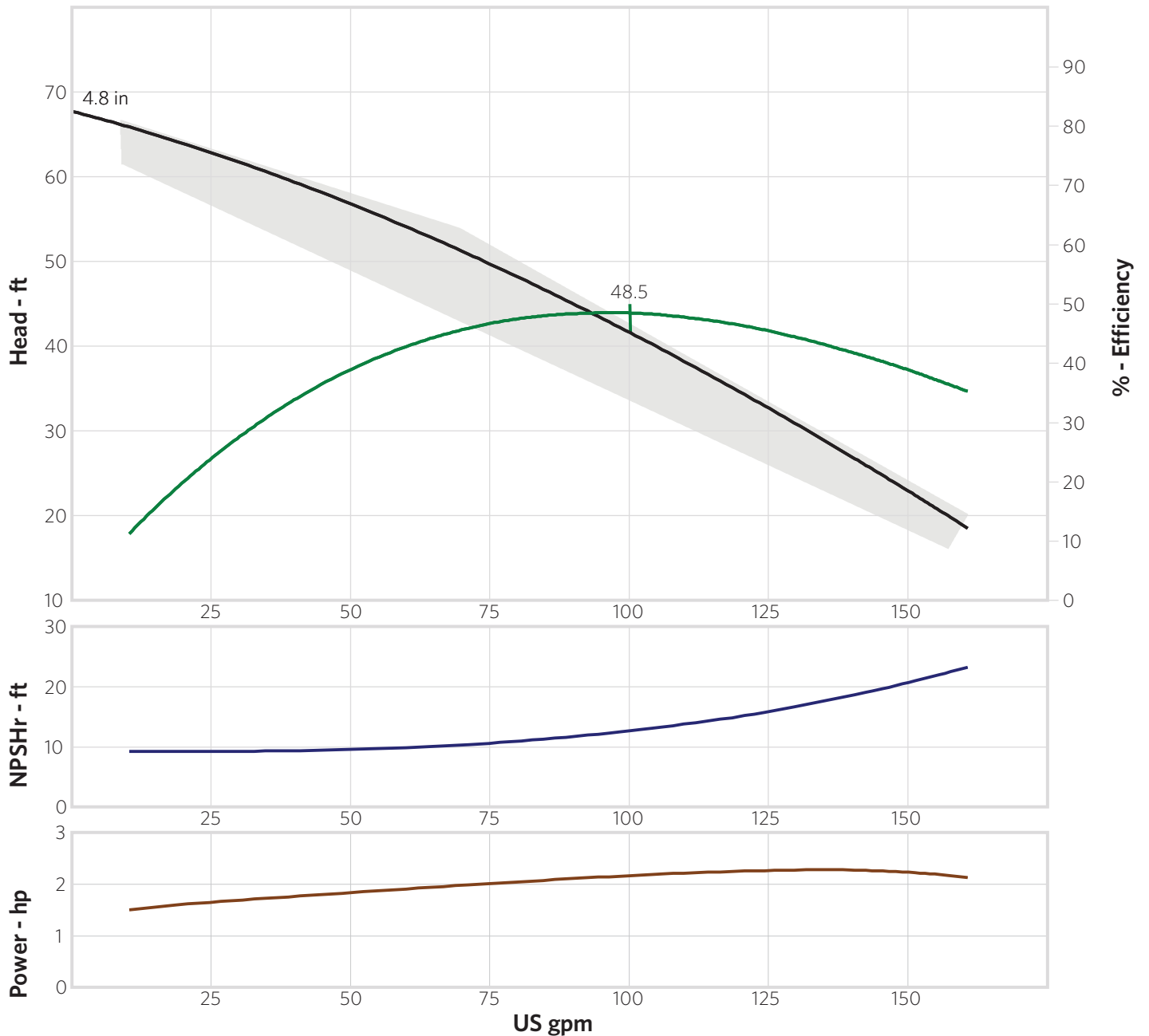
Pump Limits:

Temperature: 180 °F
 Pressure: 100 psi g

Motor:

Standard: NEMA Full Speed: 3,450 rpm
 Enclosure: TEFC

Sizing criteria: Max Power on Design Curve



Pump:

Type: Advance 4000 Speed: 1,750 rpm
 Connection Sizes: Suction: 2.0 in
 Discharge: 2.0 in

Fluid:

Water Temperature: 60 °F
 SG: 1 Vapor pressure: 0.2563 psi a
 Viscosity: 1.105 cP Atm pressure: 14.7 psi a

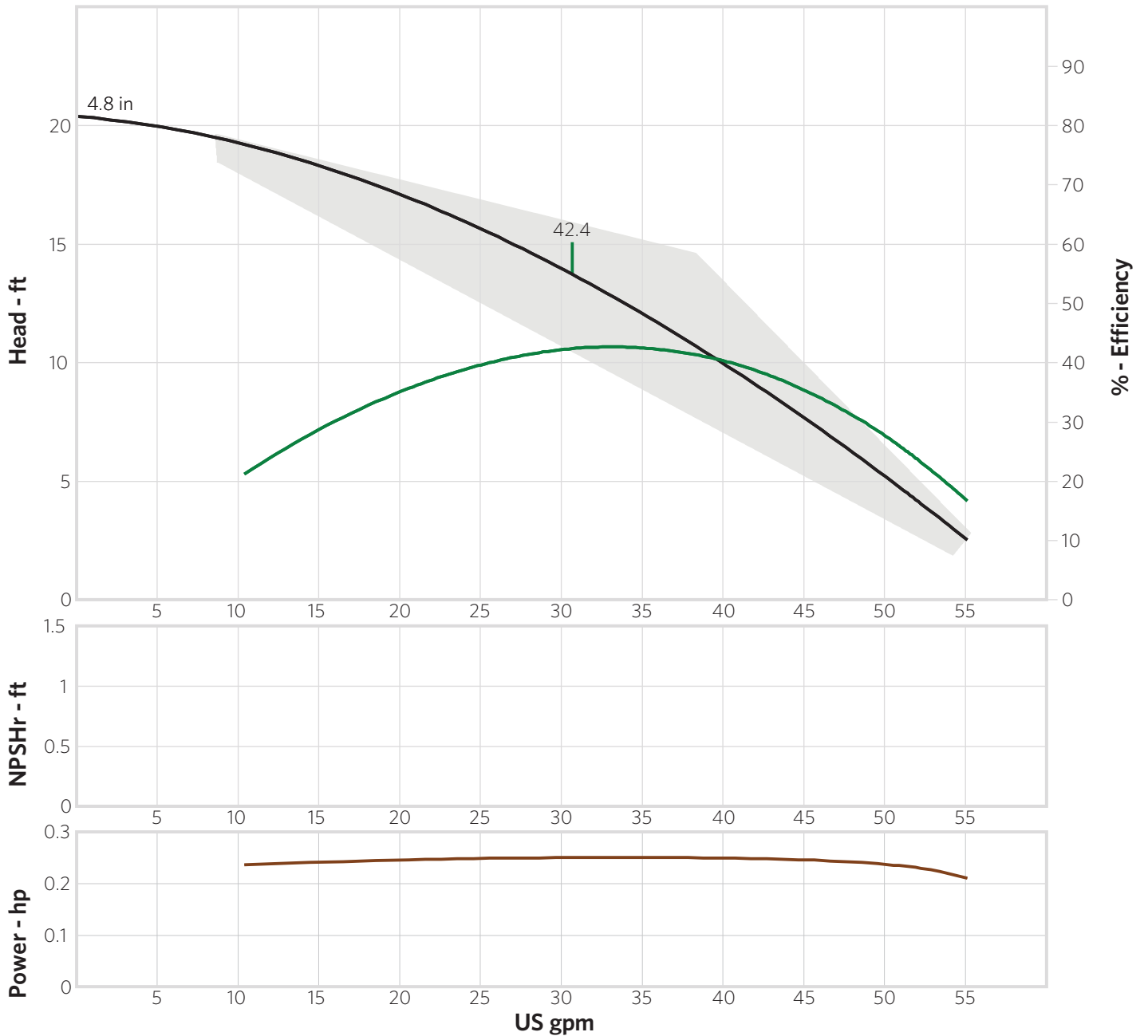
Pump Limits:

Temperature: 180 °F
 Pressure: 100 psi g

Motor:

Standard: NEMA Full Speed: 1,750 rpm
 Enclosure: TEFC

Sizing criteria: Max Power on Design Curve



Pump:

Type: Advance 4000 Speed: 1,750 rpm
 Connection Sizes: Suction: 2.0 in
 Discharge: 2.0 in

Fluid:

Water Temperature: 60 °F
 SG: 1 Vapor pressure: 0.2563 psi a
 Viscosity: 1.105 cP Atm pressure: 14.7 psi a

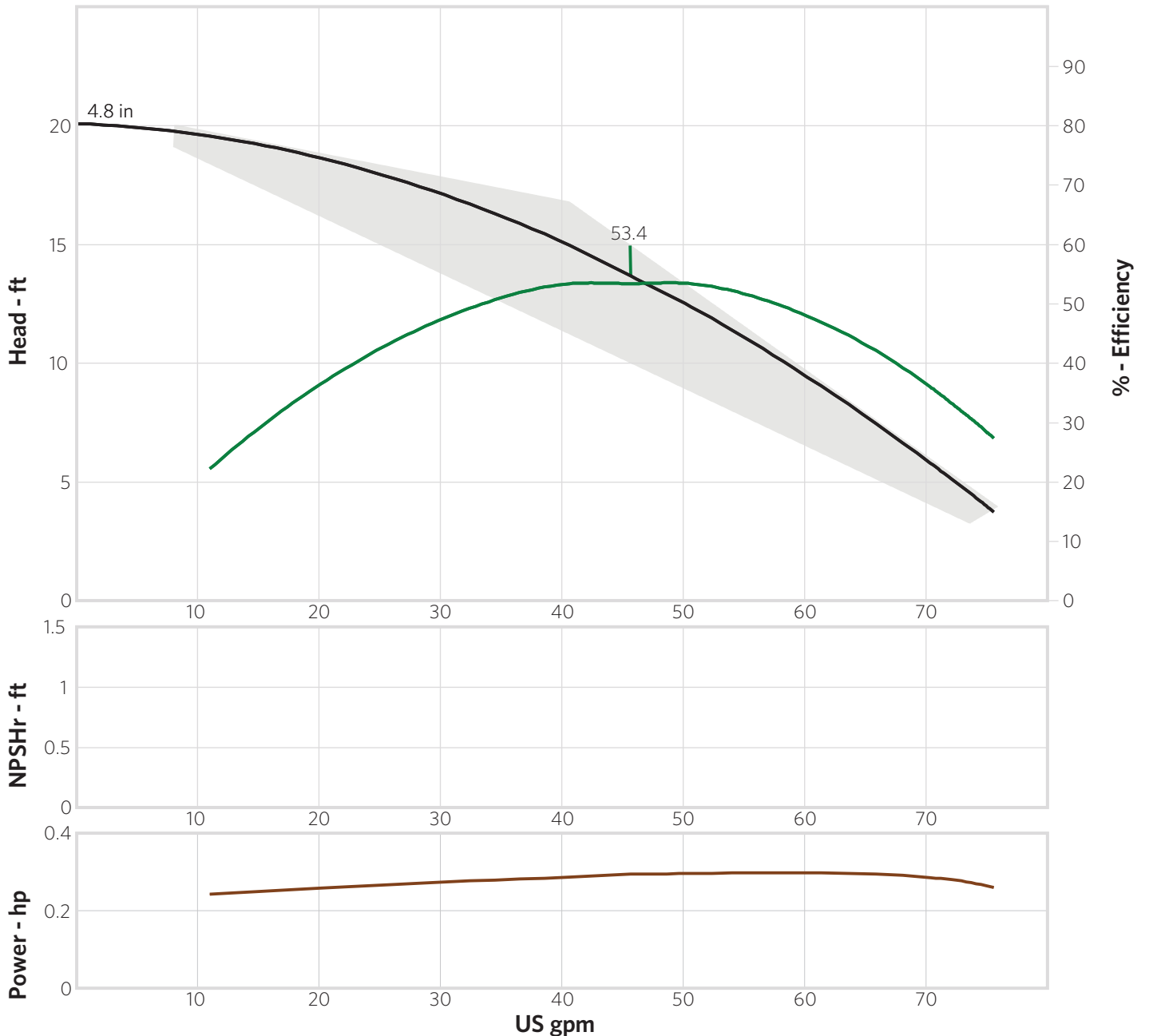
Pump Limits:

Temperature: 180 °F
 Pressure: 100 psi g

Motor:

Standard: NEMA Full Speed: 1,750 rpm
 Enclosure: TEFC

Sizing criteria: Max Power on Design Curve



Pump:

Type: Advance 4000 Speed: 1,750 rpm
 Connection Sizes: Suction: 2.0 in
 Discharge: 2.0 in

Fluid:

Water Temperature: 60 °F
 SG: 1 Vapor pressure: 0.2563 psi a
 Viscosity: 1.105 cP Atm pressure: 14.7 psi a

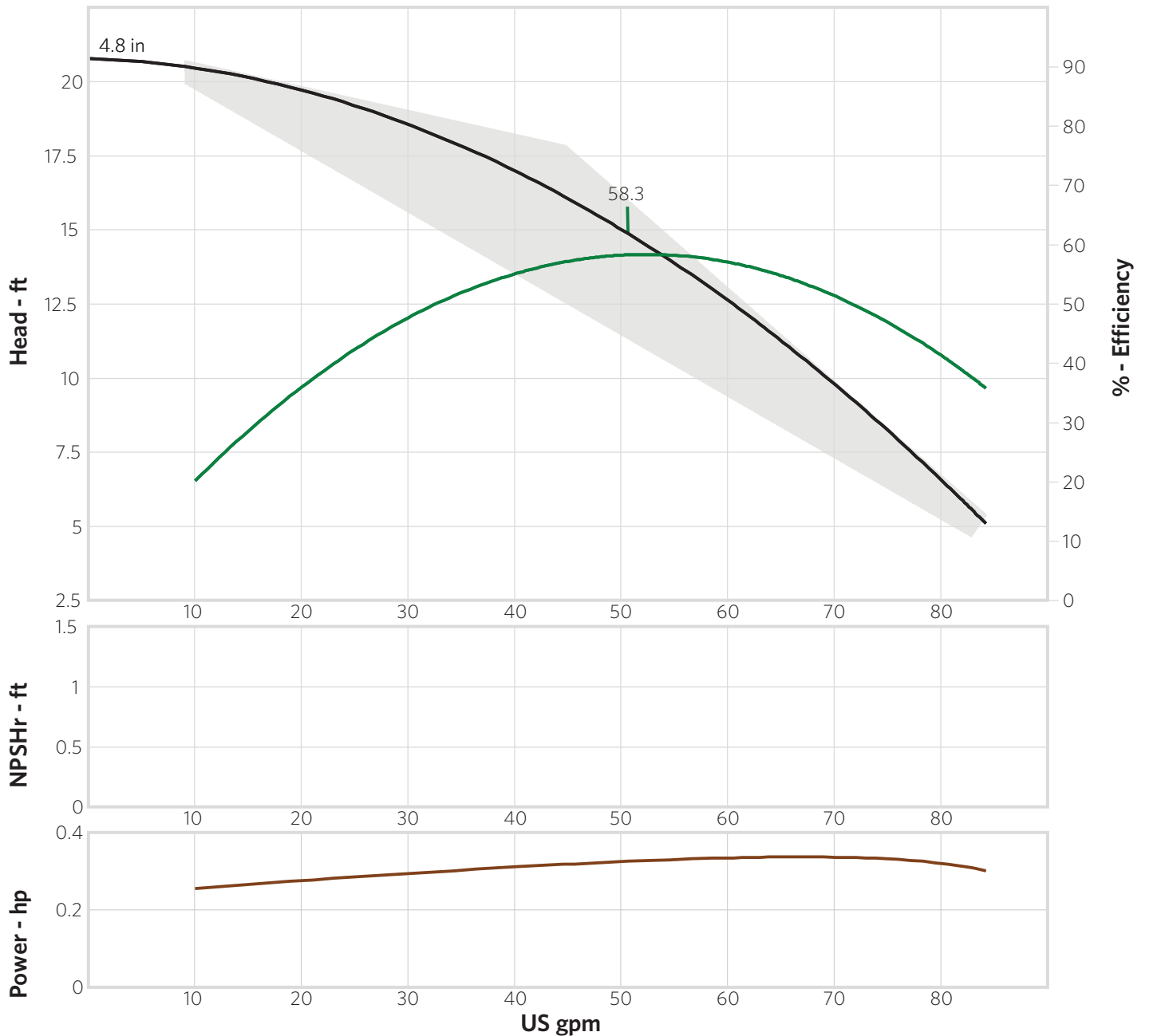
Pump Limits:

Temperature: 180 °F
 Pressure: 100 psi g

Motor:

Standard: NEMA Full Speed: 1,750 rpm
 Enclosure: TEFC

Sizing criteria: Max Power on Design Curve



Pump:

Type: Advance 4000 Speed: 1,750 rpm
 Connection Sizes: Suction: 2.0 in
 Discharge: 2.0 in

Fluid:

Water Temperature: 60 °F
 SG: 1 Vapor pressure: 0.2563 psi a
 Viscosity: 1.105 cP Atm pressure: 14.7 psi a

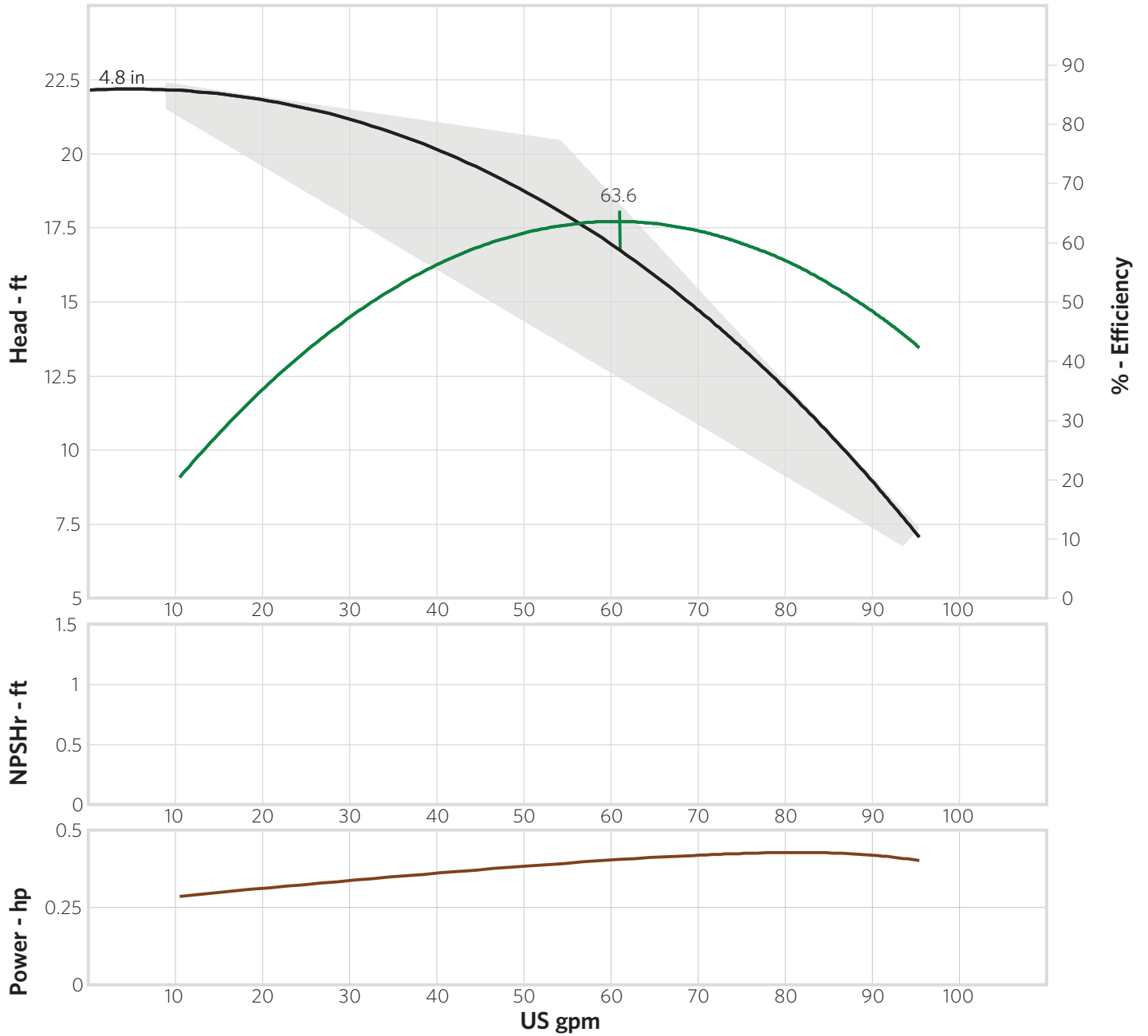
Pump Limits:

Temperature: 180 °F
 Pressure: 100 psi g

Motor:

Standard: NEMA Full Speed: 1,750 rpm
 Enclosure: TEFC

Sizing criteria: Max Power on Design Curve



Pump:

Type: Advance 4000 Speed: 1,750 rpm
 Connection Sizes: Suction: 2.0 in
 Discharge: 2.0 in

Fluid:

Water Temperature: 60 °F
 SG: 1 Vapor pressure: 0.2563 psi a
 Viscosity: 1.105 cP Atm pressure: 14.7 psi a

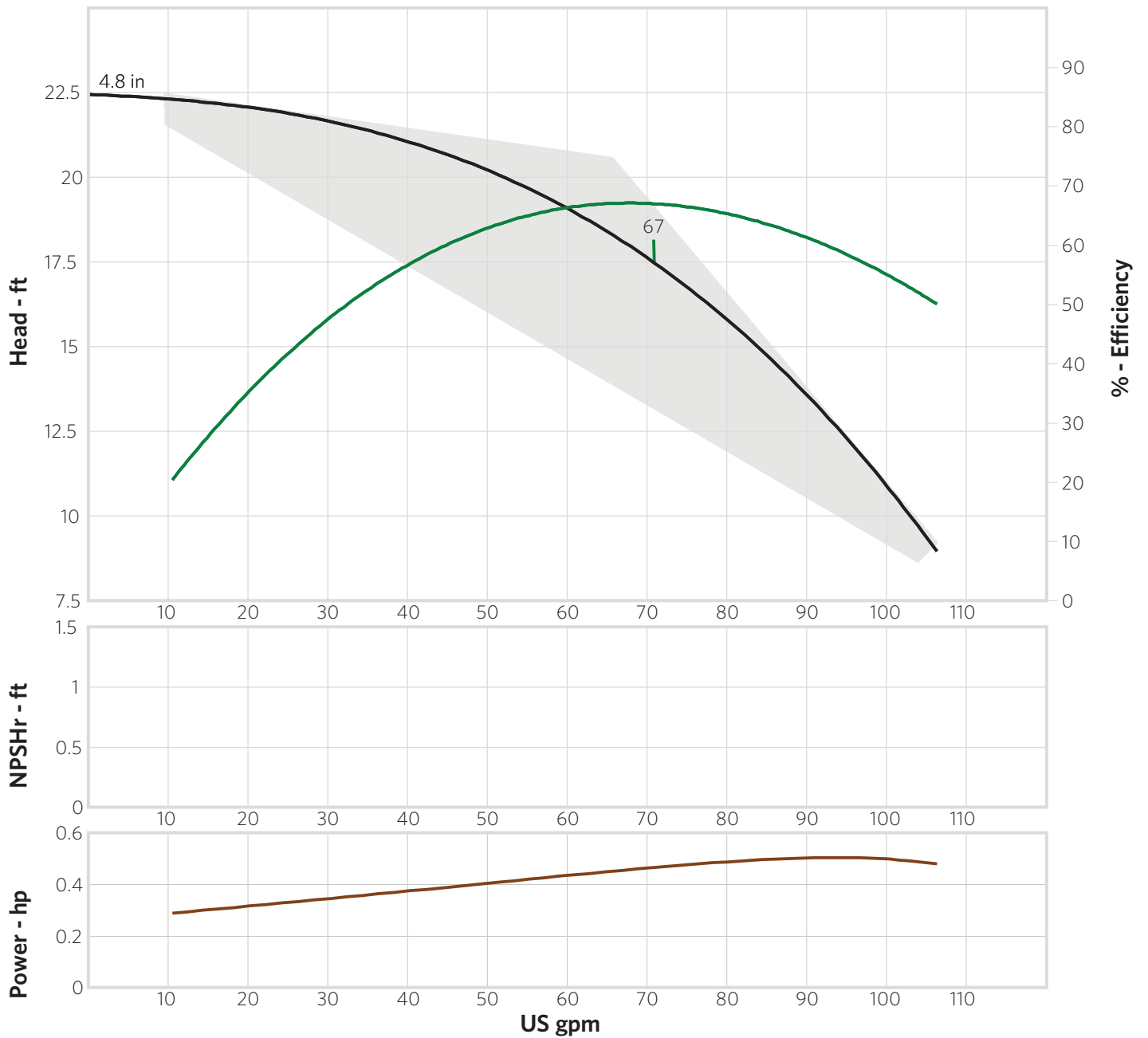
Pump Limits:

Temperature: 180 °F
 Pressure: 100 psi g

Motor:

Standard: NEMA Full Speed: 1,750 rpm
 Enclosure: TEFC

Sizing criteria: Max Power on Design Curve



Pump:

Type: Advance 4000 Speed: 1,750 rpm

Connection Sizes: Suction: 2.0 in
Discharge: 2.0 in

Fluid:

Water Temperature: 60 °F
SG: 1 Vapor pressure: 0.2563 psi a
Viscosity: 1.105 cP Atm pressure: 14.7 psi a

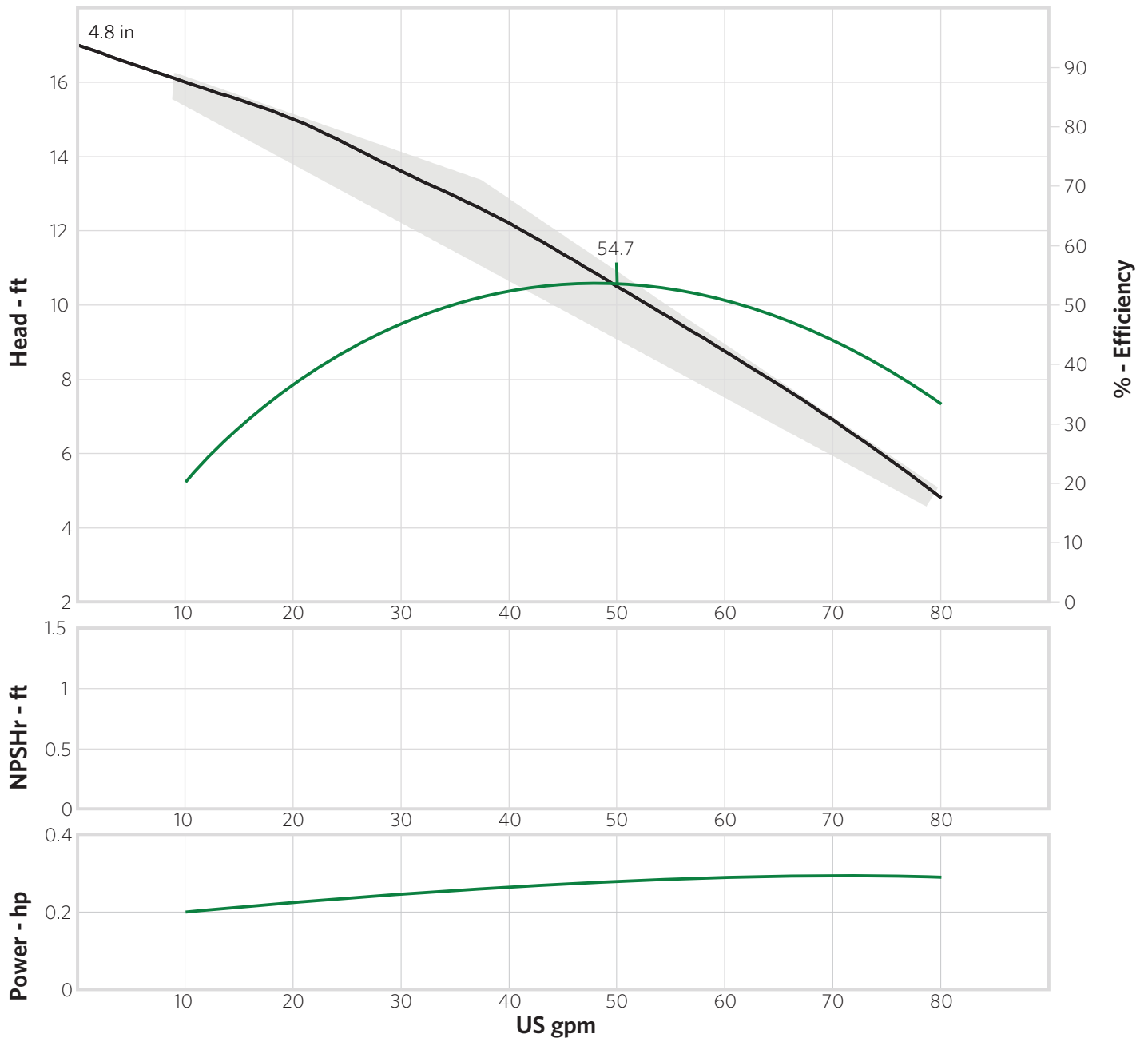
Pump Limits:

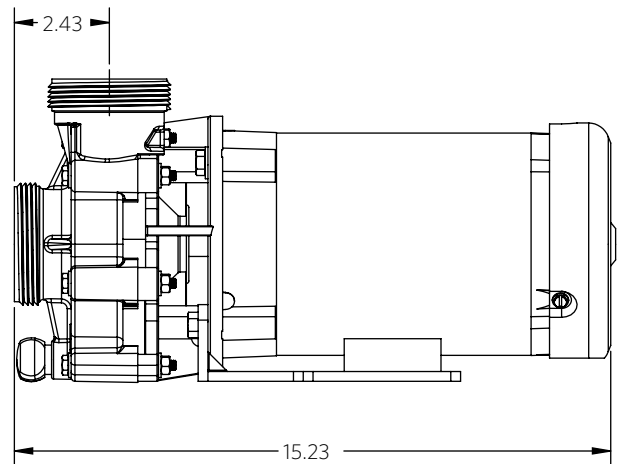
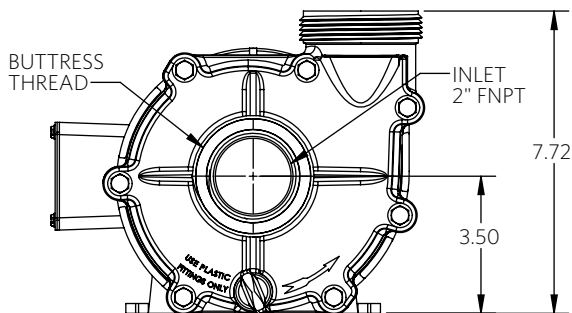
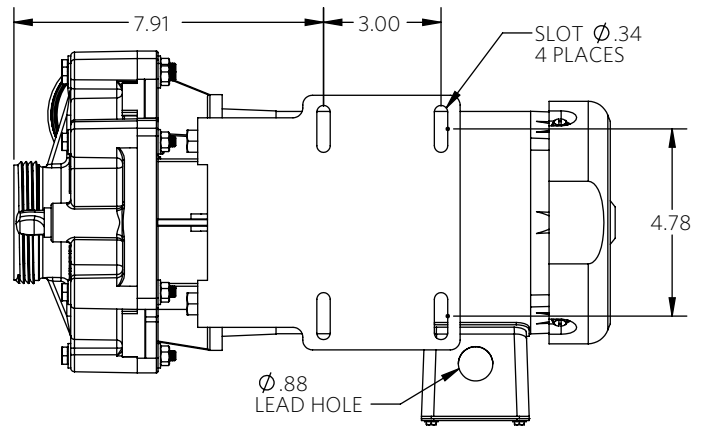
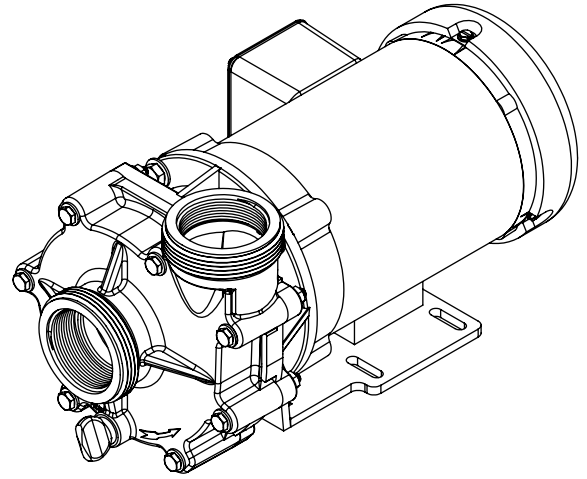
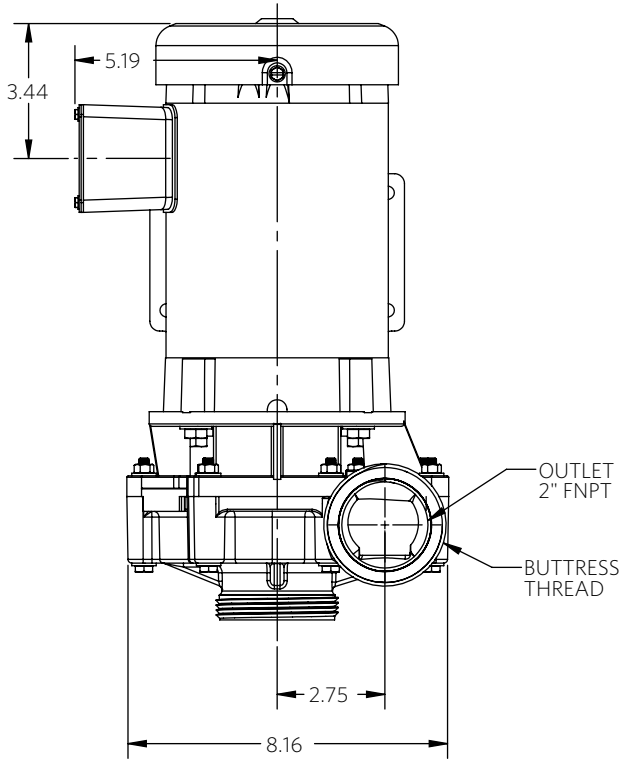
Temperature: 180 °F
Pressure: 100 psi g

Motor:

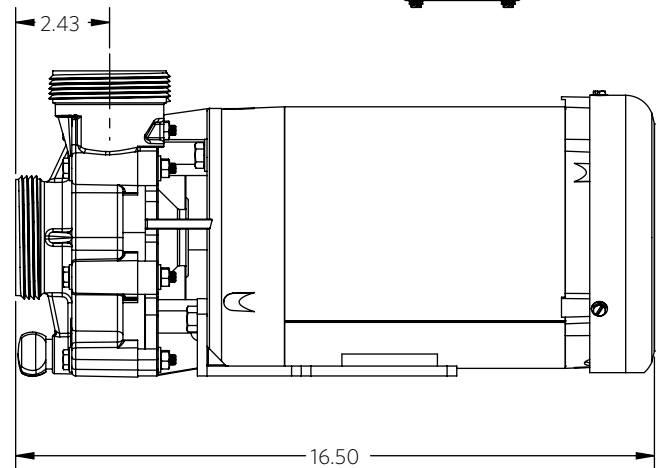
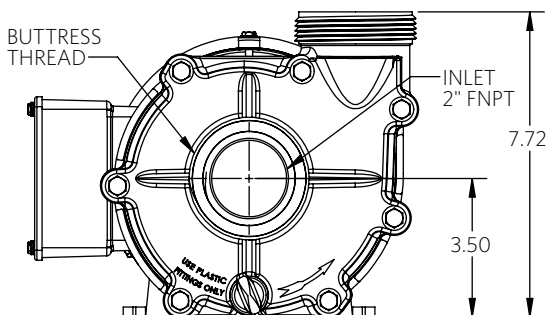
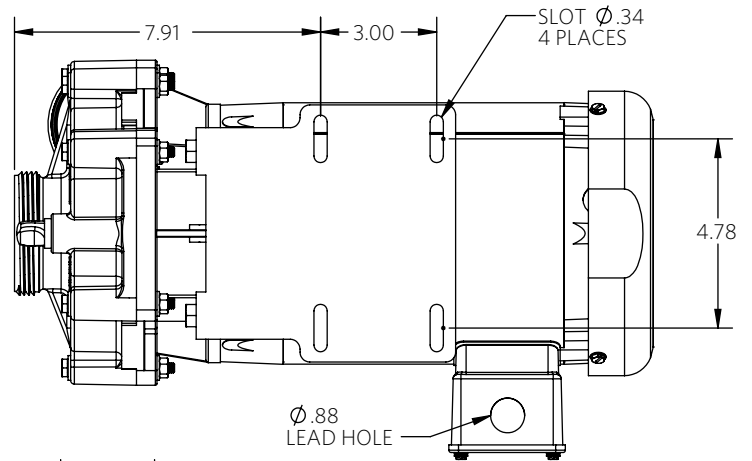
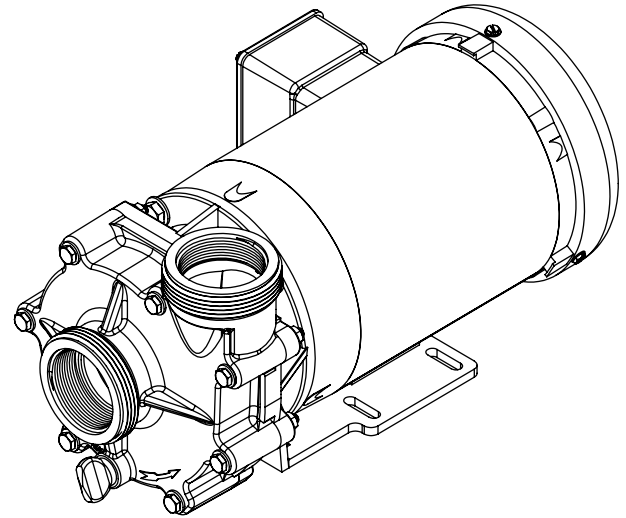
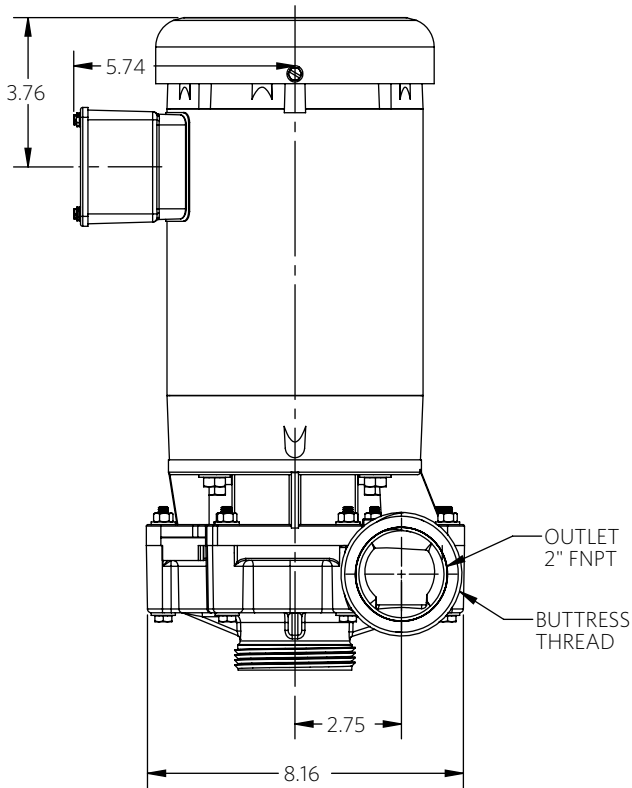
Standard: NEMA Full Speed: 1,750 rpm
Enclosure: TEFC

Sizing criteria: Max Power on Design Curve

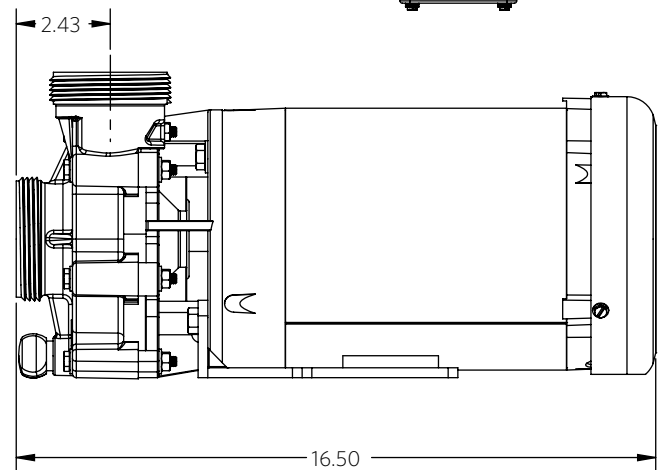
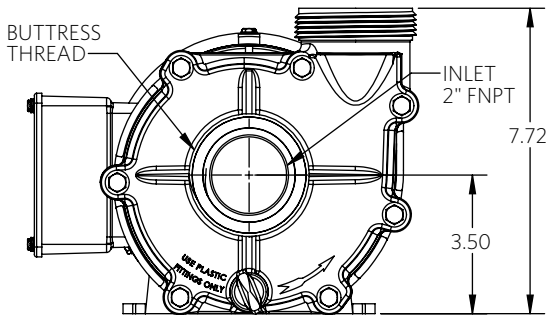
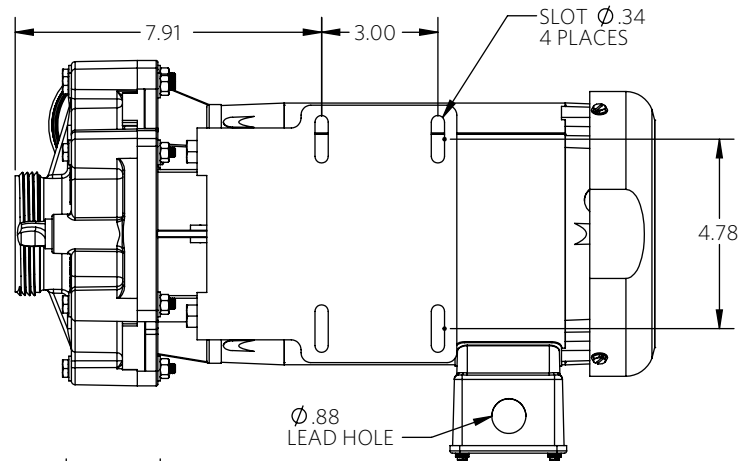
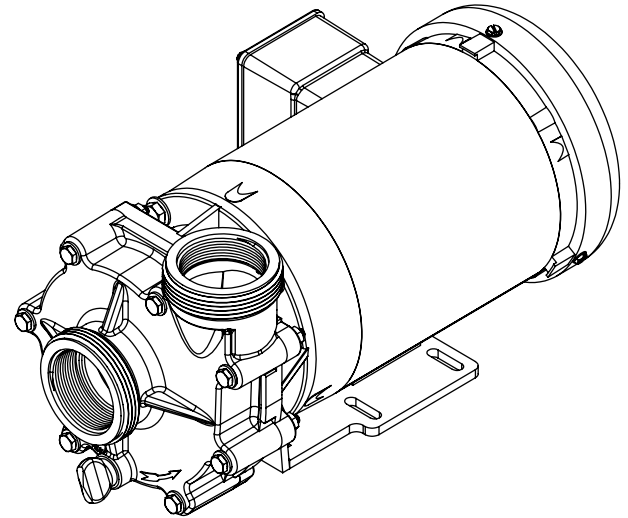
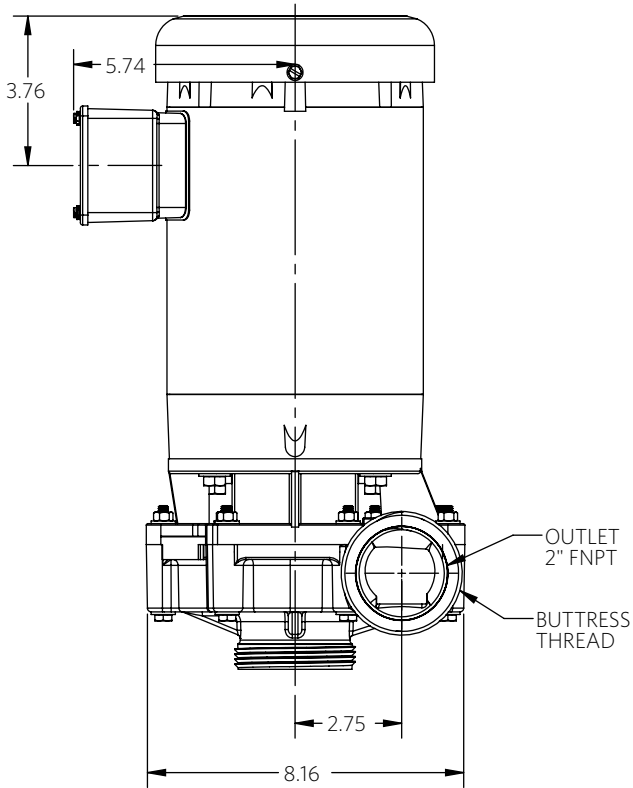




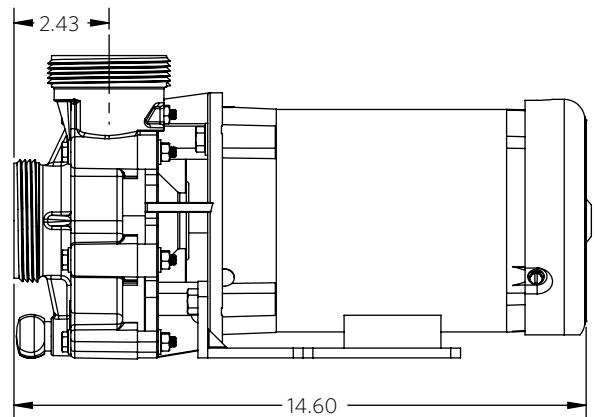
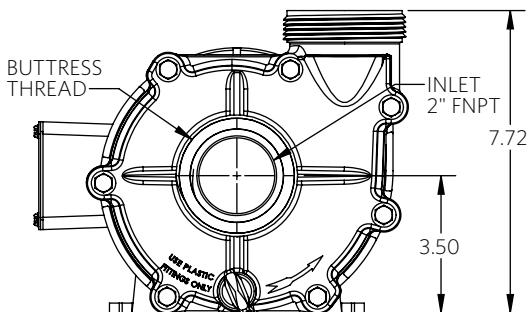
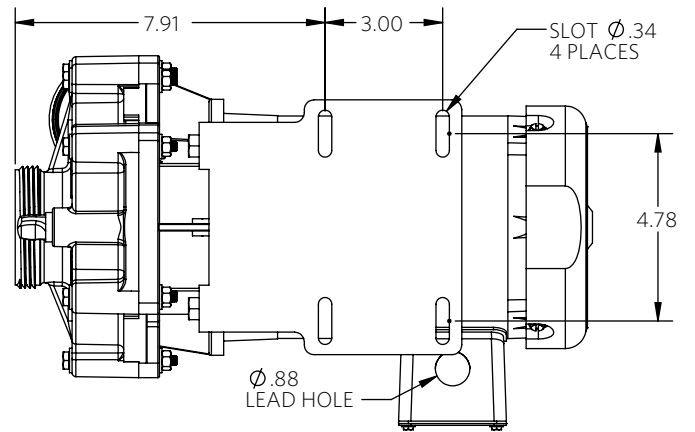
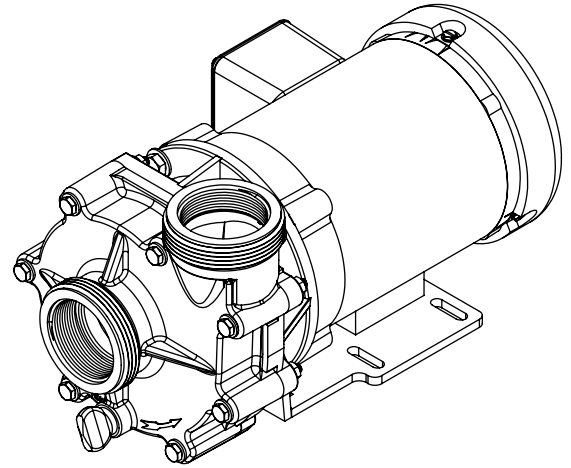
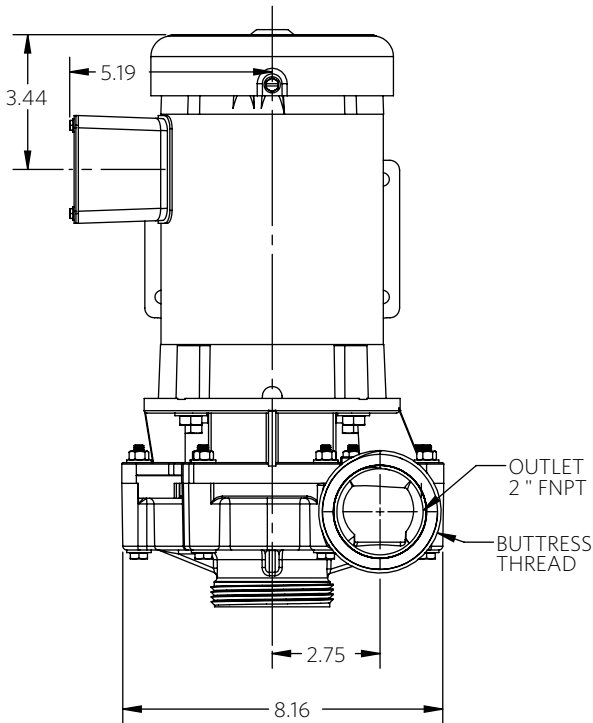
*Dimensions and illustrations are approximate and for reference only.
For engineering approved documentation contact MDM Inc.



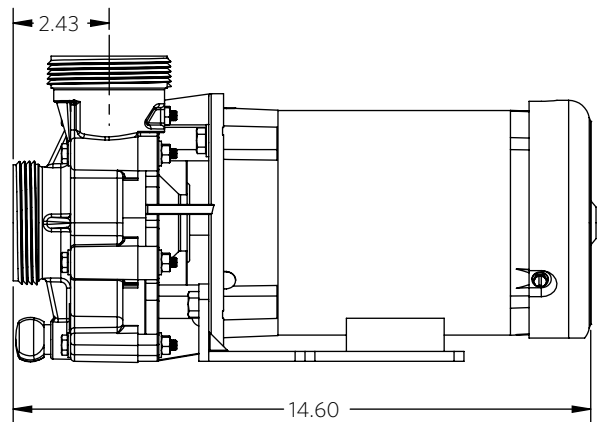
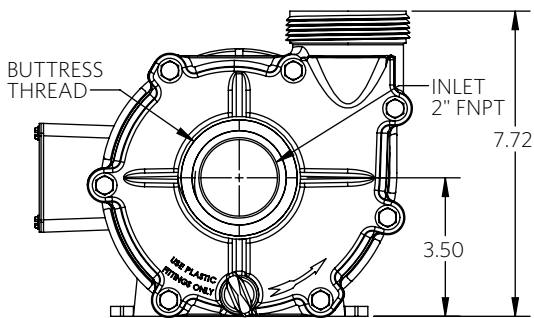
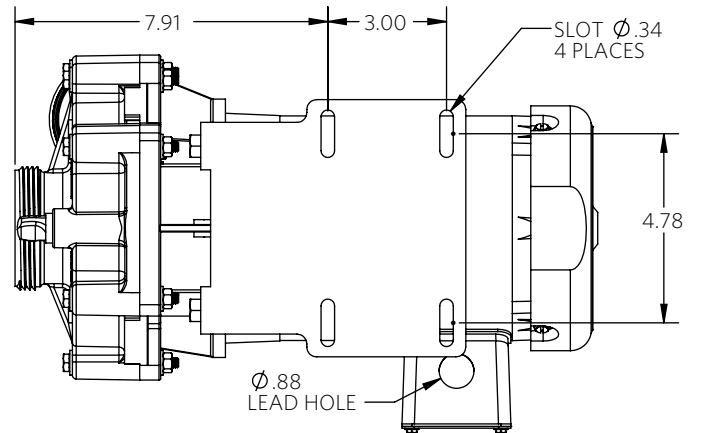
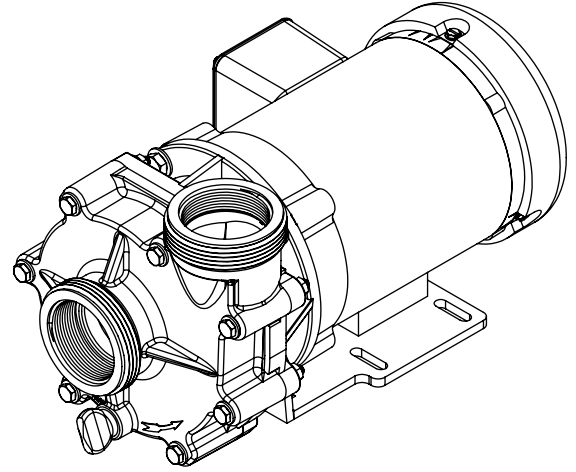
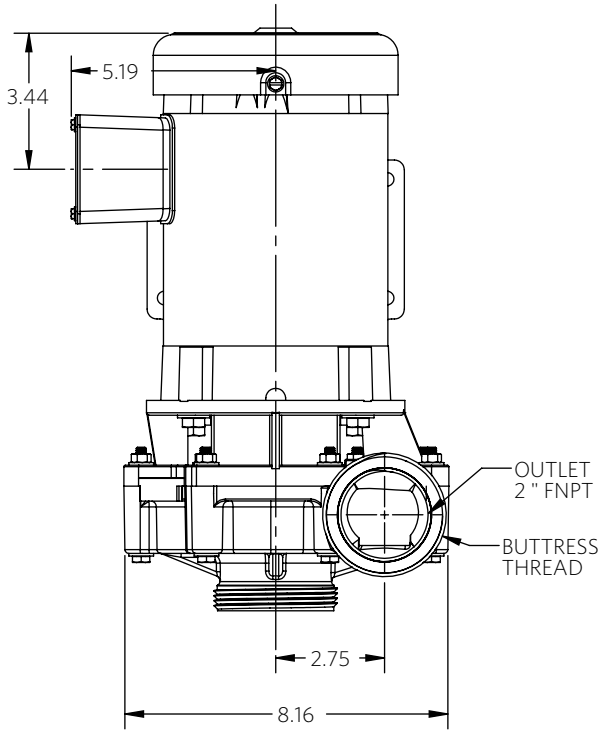
*Dimensions and illustrations are approximate and for reference only. For engineering approved documentation contact MDM Inc.



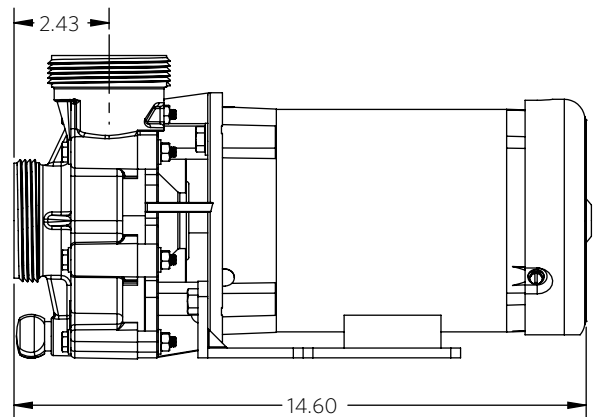
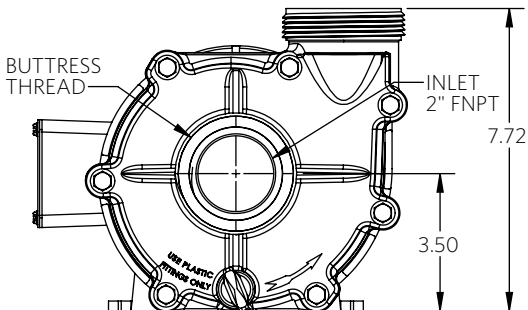
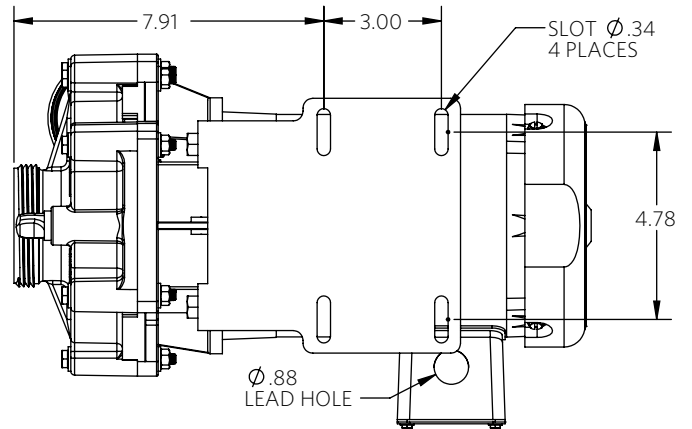
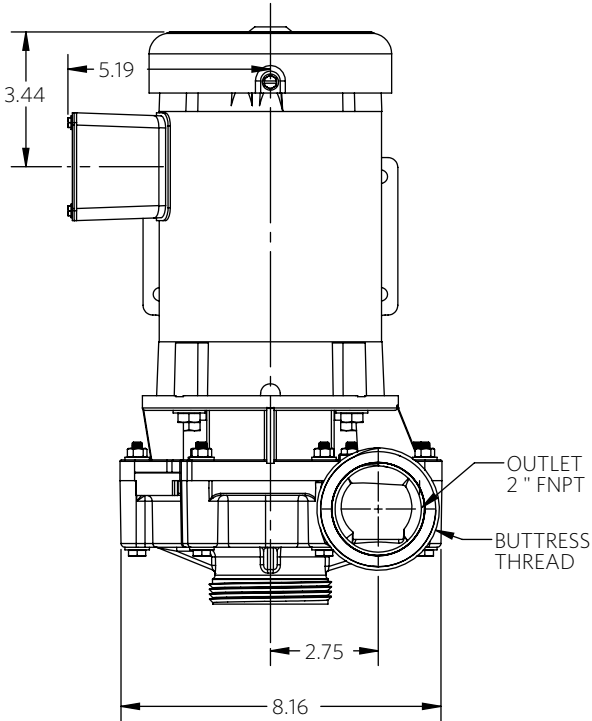
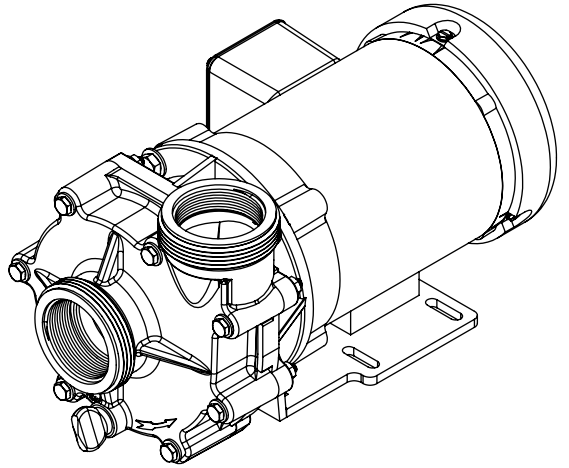
*Dimensions and illustrations are approximate and for reference only. For engineering approved documentation contact MDM Inc.



*Dimensions and illustrations are approximate and for reference only. For engineering approved documentation contact MDM Inc.

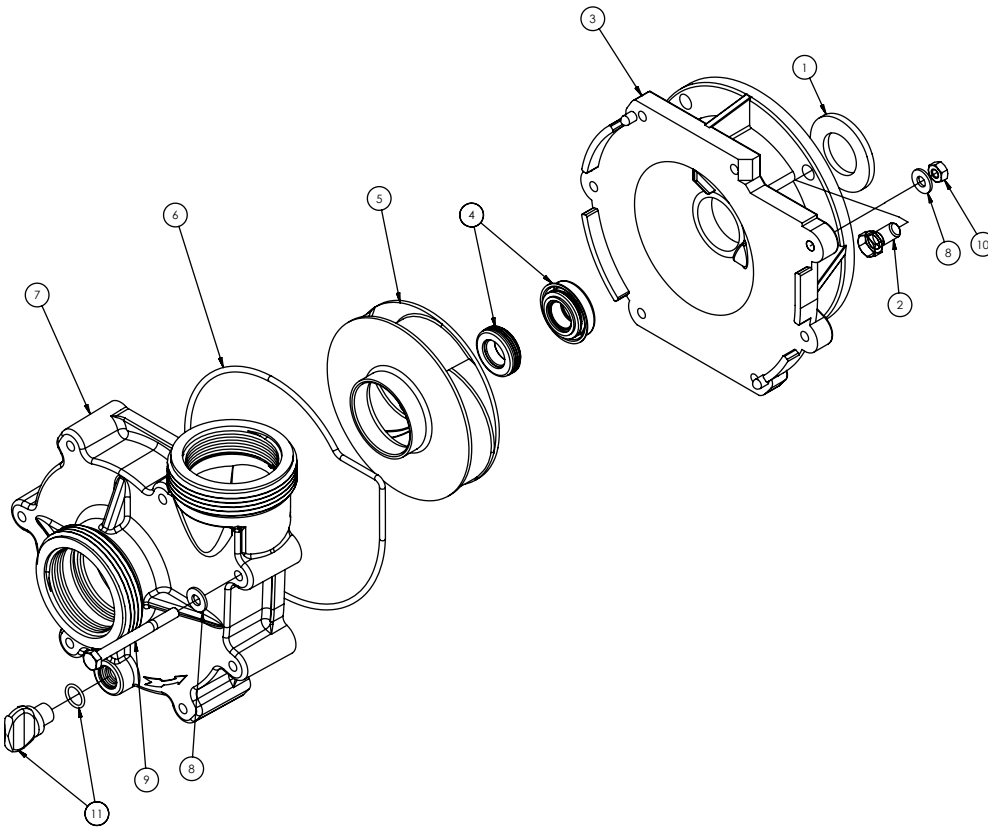


*Dimensions and illustrations are approximate and for reference only. For engineering approved documentation contact MDM Inc.

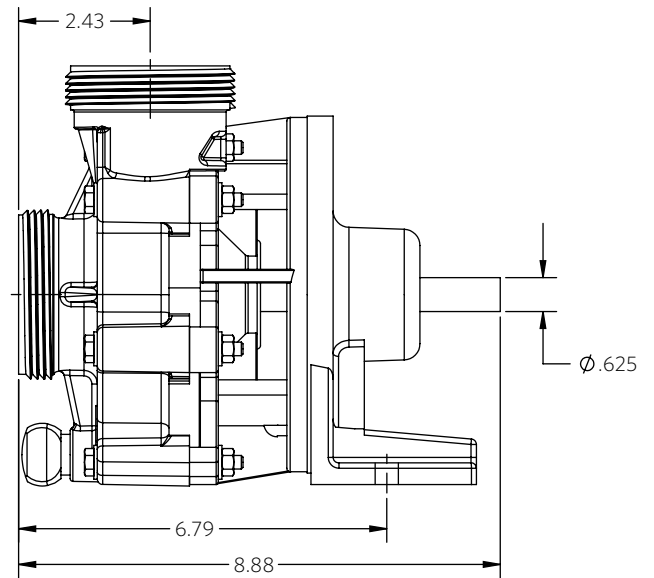
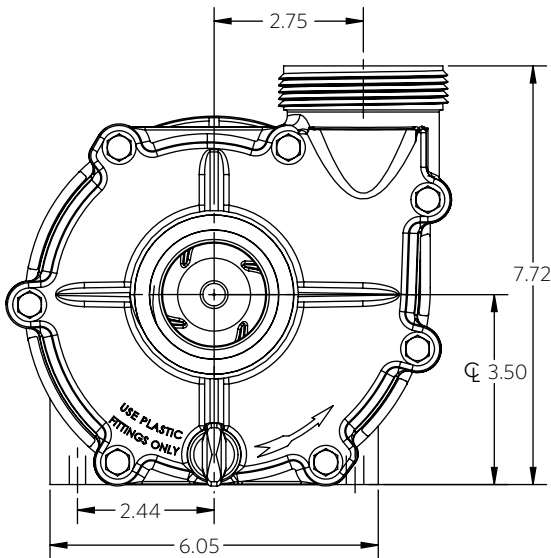


*Dimensions and illustrations are approximate and for reference only. For engineering approved documentation contact MDM Inc.

Advance® 4000 Dimensional Drawings - Exploded View and Pedestal



NUMBER	DESCRIPTION
01	SLINGER
02	M-BOLT
03	BRACKET
04	MECHANICAL SEAL
05	IMPELLER
06	VOLUTE O-RING
07	VOLUTE
8, 9, 10	HARDWARE KIT
11	DRAIN PLUG & O-RING



*Dimensions and illustrations are approximate and for reference only. For engineering approved documentation contact MDM Inc.