

Pump:

Type: Advance 3000
 Speed: 3,450 rpm
 Connection Sizes:
 Suction: 1.5 in
 Discharge: 0.75 in

Fluid:

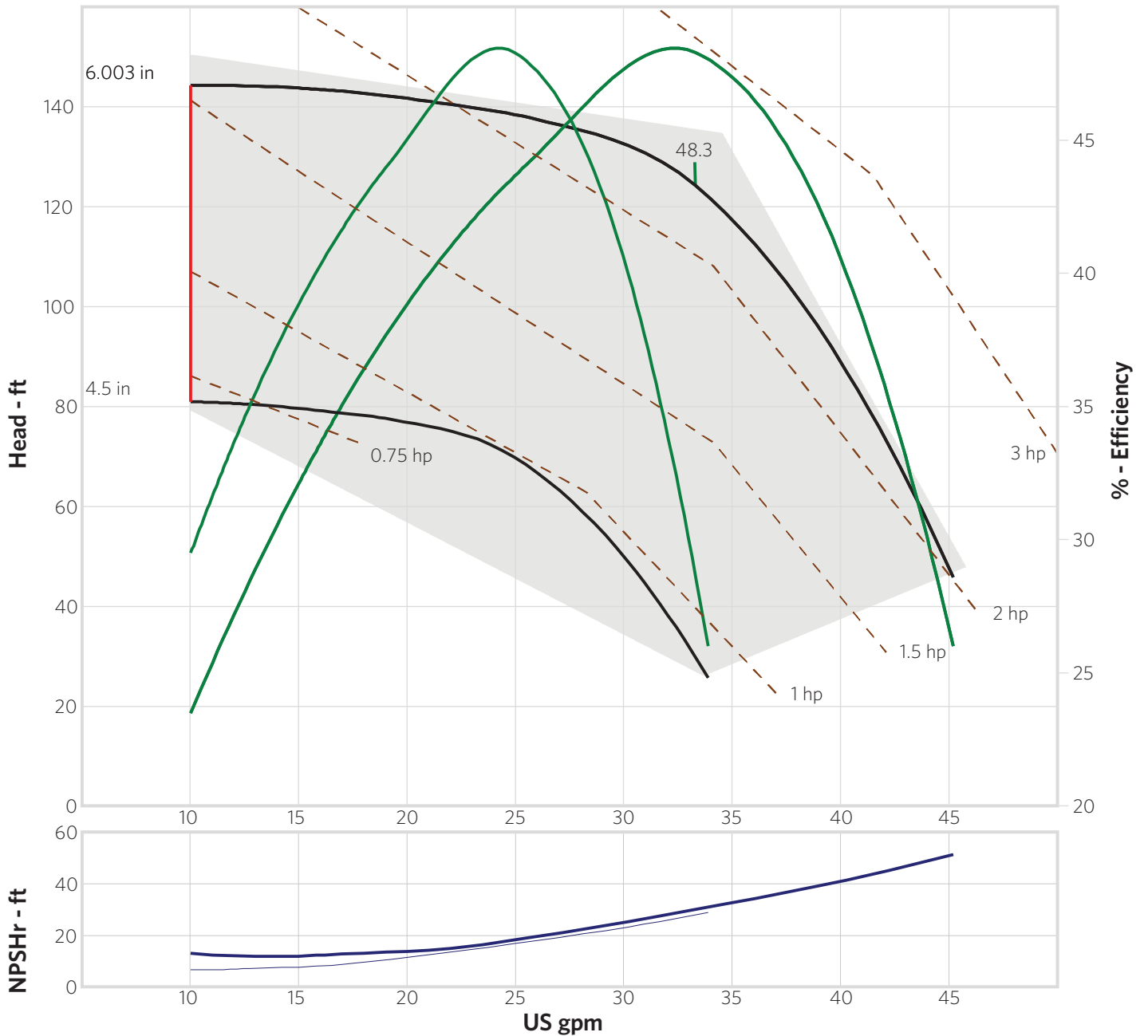
Water
 SG: 1
 Viscosity: 1.105 cP
 Temperature: 60 °F
 Vapor pressure: 0.2563 psi a
 Atm pressure: 14.7 psi a

Pump Limits:

Temperature: 180 °F
 Pressure: 100 psi g
 Sphere size: 0.72 in

Motor:

Standard: NEMA
 Enclosure: TEFC
 Full Speed: 3,450 rpm
 Sizing criteria: Max Power on Design Curve



Pump:

Type: Advance 3000
 Speed: 3,450 rpm
 Connection Sizes:
 Suction: 1.5 in
 Discharge: 0.75 in

Fluid:

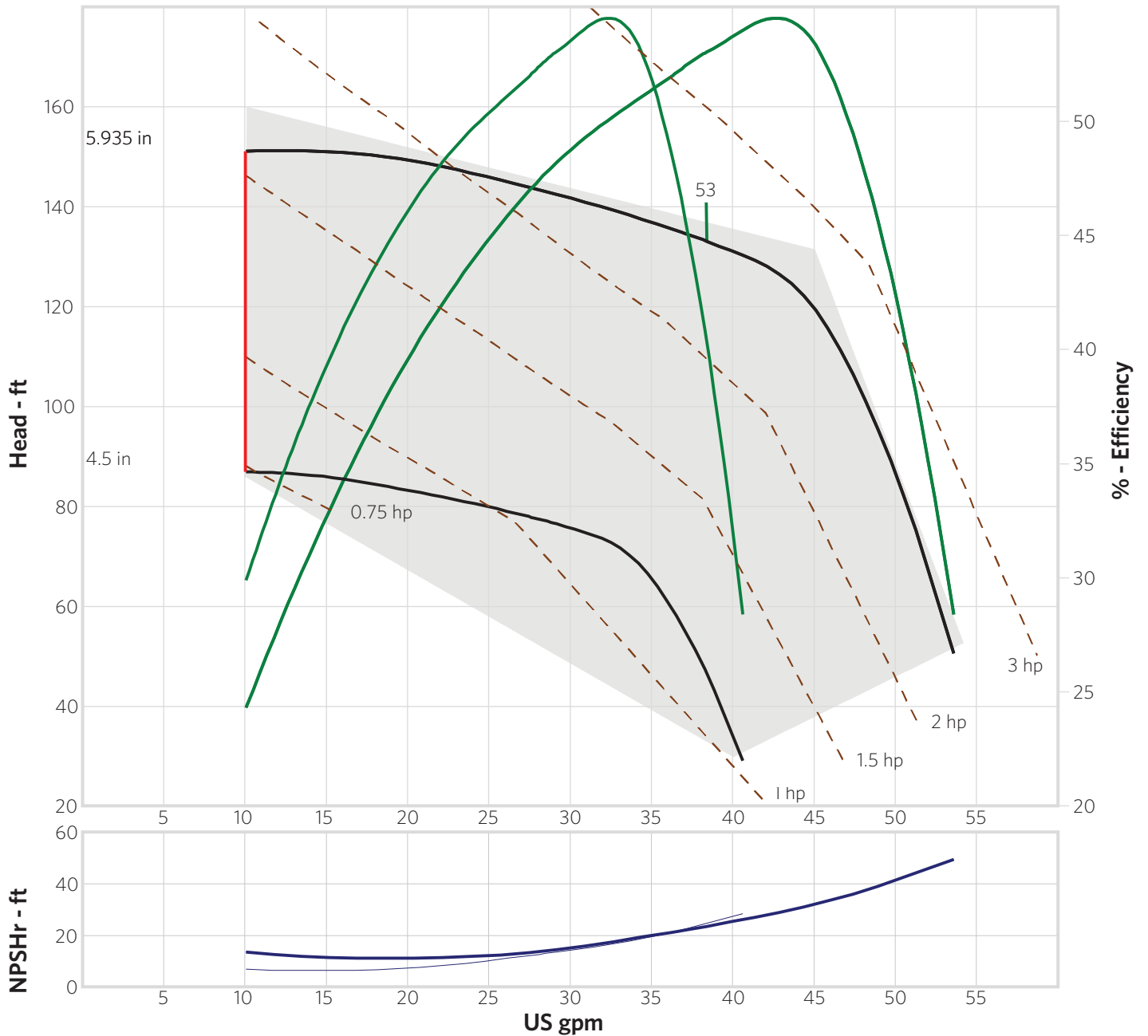
Water
 SG: 1
 Viscosity: 1.105 cP
 Temperature: 60 °F
 Vapor pressure: 0.2563 psi a
 Atm pressure: 14.7 psi a

Pump Limits:

Temperature: 180 °F
 Pressure: 100 psi g
 Sphere size: 0.22 in

Motor:

Standard: NEMA
 Enclosure: TEFC
 Full Speed: 3,450 rpm
 Sizing criteria: Max Power on Design Curve



Pump:

Type: Advance 3000 Speed: 3,450 rpm
 Connection Sizes: Suction: 1.5 in
 Discharge: 0.75 in

Fluid:

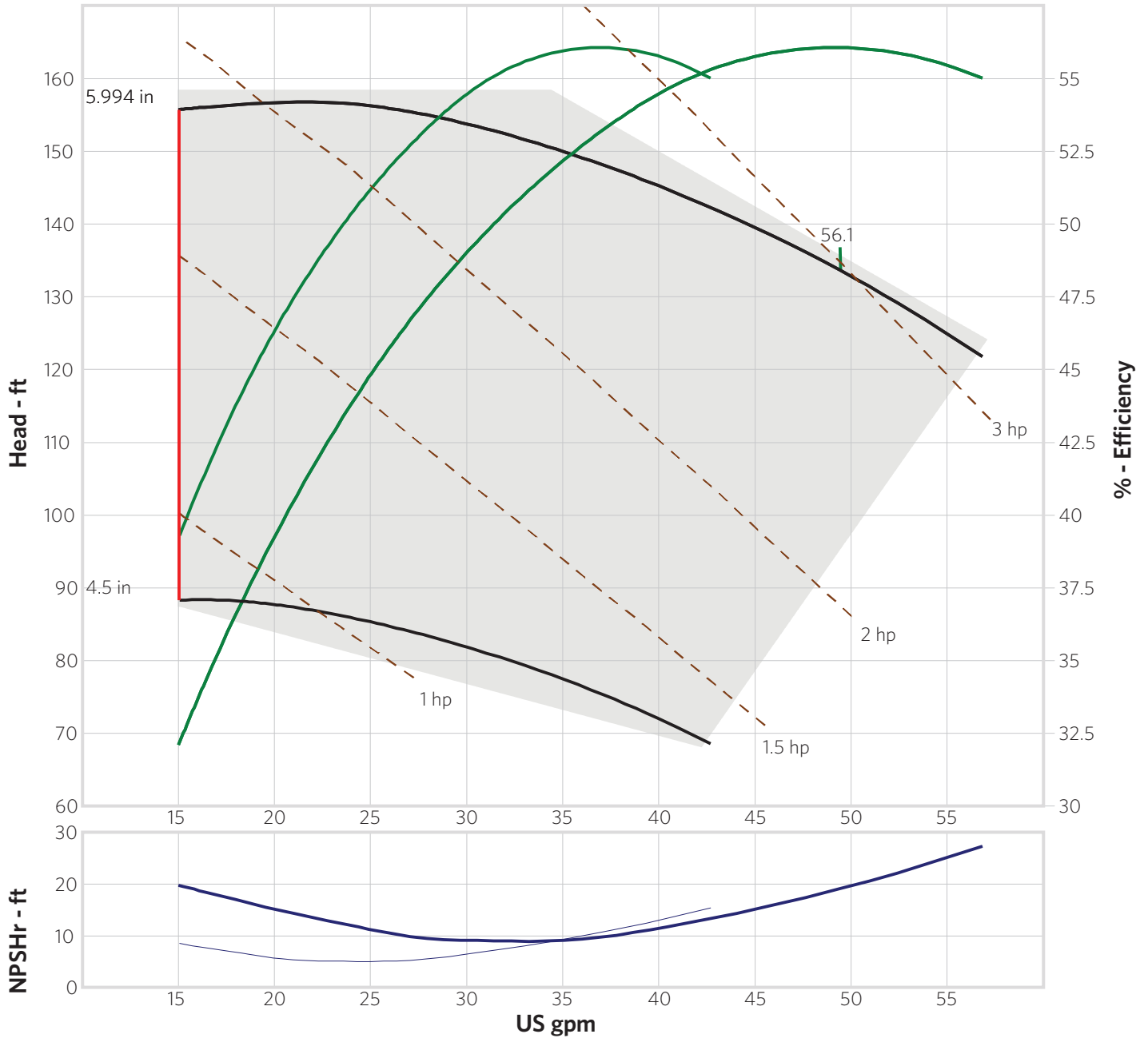
Water Temperature: 60 °F
 SG: 1 Vapor pressure: 0.2563 psi a
 Viscosity: 1.105 cP Atm pressure: 14.7 psi a

Pump Limits:

Temperature: 180 °F
 Pressure: 100 psi g
 Sphere size: 0.3 in

Motor:

Standard: NEMA Full Speed: 3,450 rpm
 Enclosure: TEFC
 Sizing criteria: Max Power on Design Curve



Pump:

Type: Advance 3000 Speed: 1,750 rpm
 Connection Sizes: Suction: 1.5 in
 Discharge: 0.75 in

Fluid:

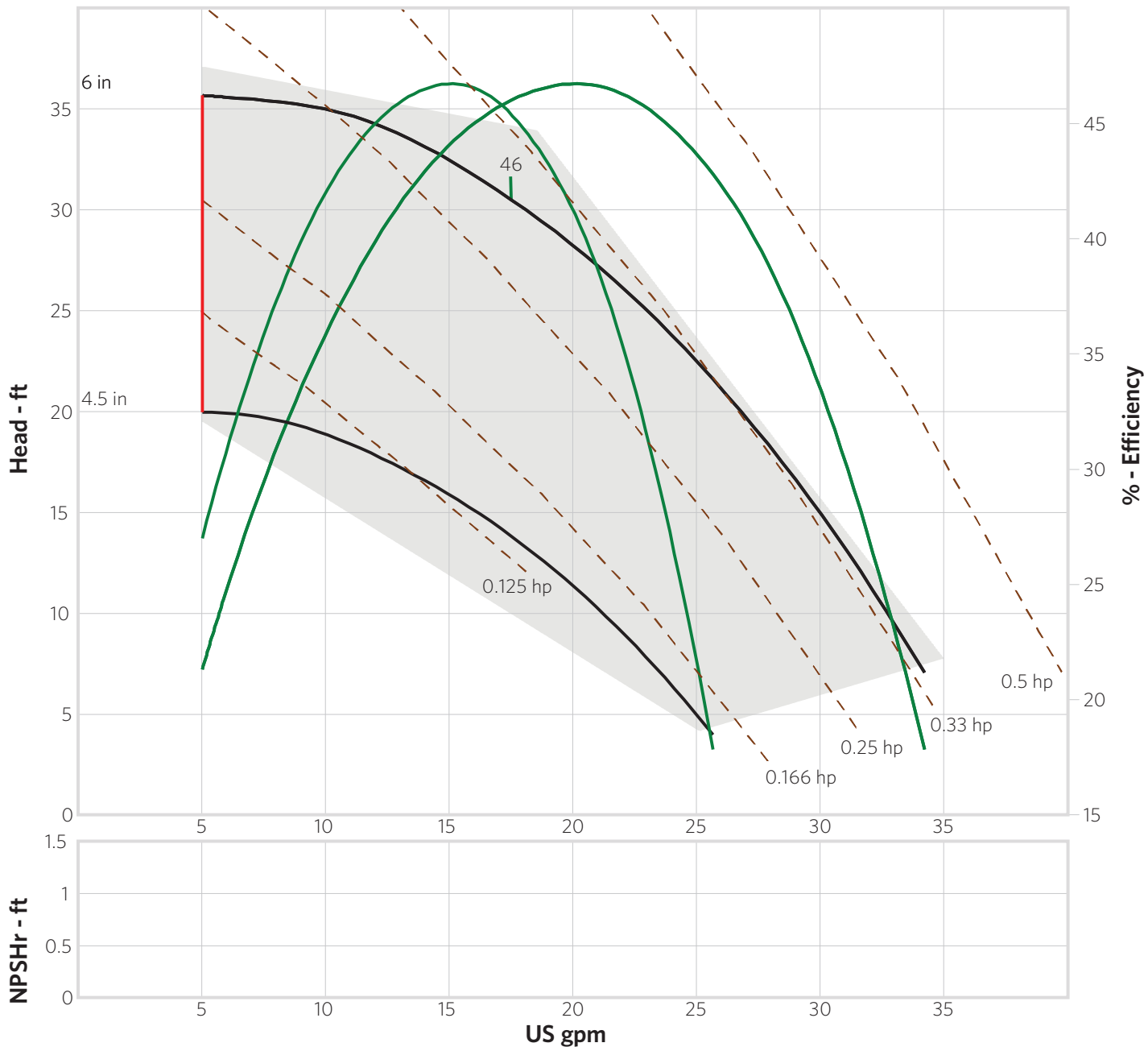
Water Temperature: 60 °F
 SG: 1 Vapor pressure: 0.2563 psi a
 Viscosity: 1.105 cP Atm pressure: 14.7 psi a

Pump Limits:

Temperature: 180 °F
 Pressure: 100 psi g
 Sphere size: 0.72 in

Motor:

Standard: NEMA Full Speed: 1,750 rpm
 Enclosure: TEFC
 Sizing criteria: Max Power on Design Curve



Pump:

Type: Advance 3000 Speed: 1,750 rpm
 Connection Sizes: Suction: 1.5 in
 Discharge: 0.75 in

Fluid:

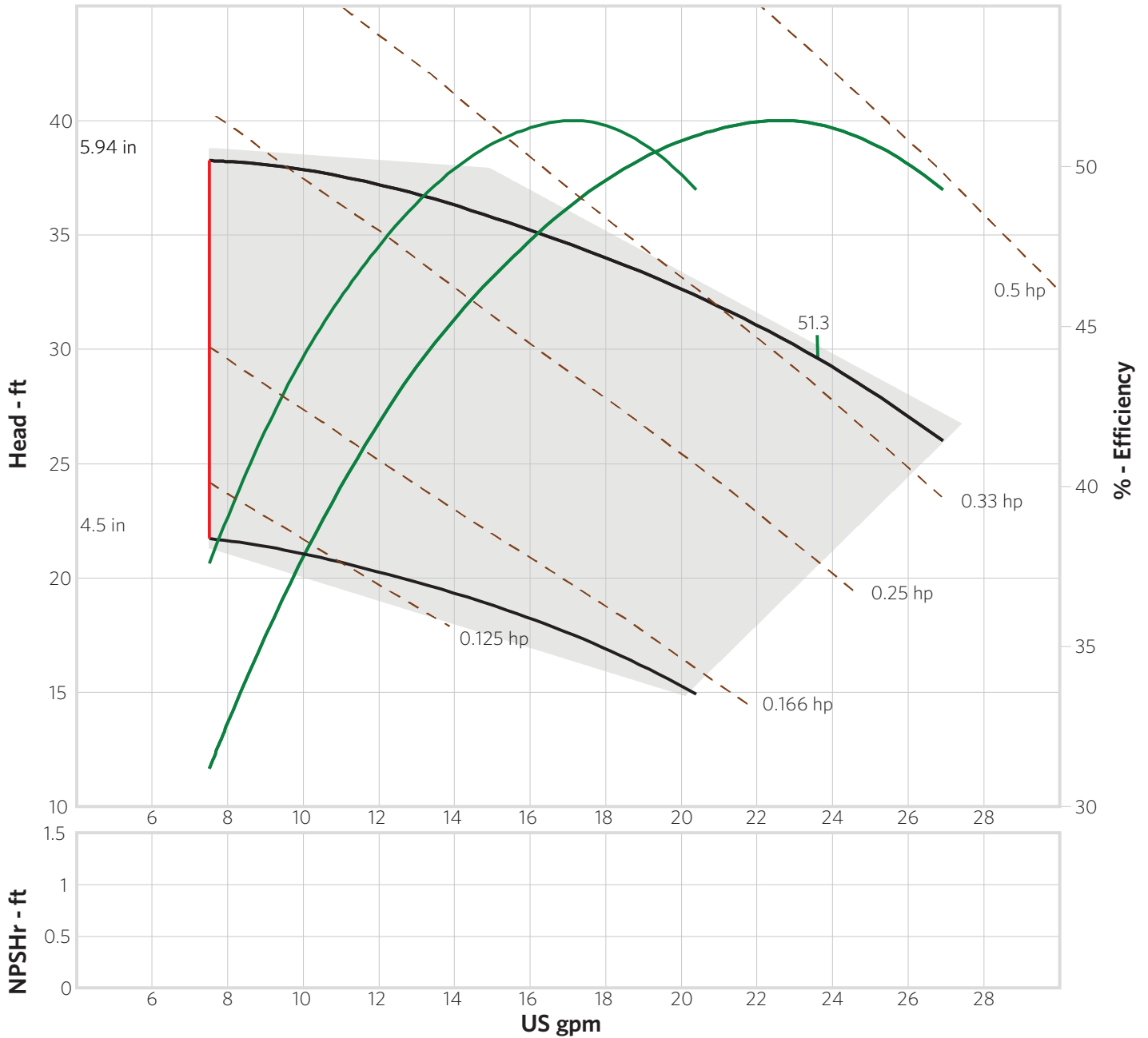
Water Temperature: 60 °F
 SG: 1 Vapor pressure: 0.2563 psi a
 Viscosity: 1.105 cP Atm pressure: 14.7 psi a

Pump Limits:

Temperature: 180 °F
 Pressure: 100 psi g
 Sphere size: 0.22 in

Motor:

Standard: NEMA Full Speed: 1,750 rpm
 Enclosure: TEFC
 Sizing criteria: Max Power on Design Curve



Pump:

Type: Advance 3000 Speed: 1,750 rpm
 Connection Sizes: Suction: 1.5 in
 Discharge: 0.75 in

Fluid:

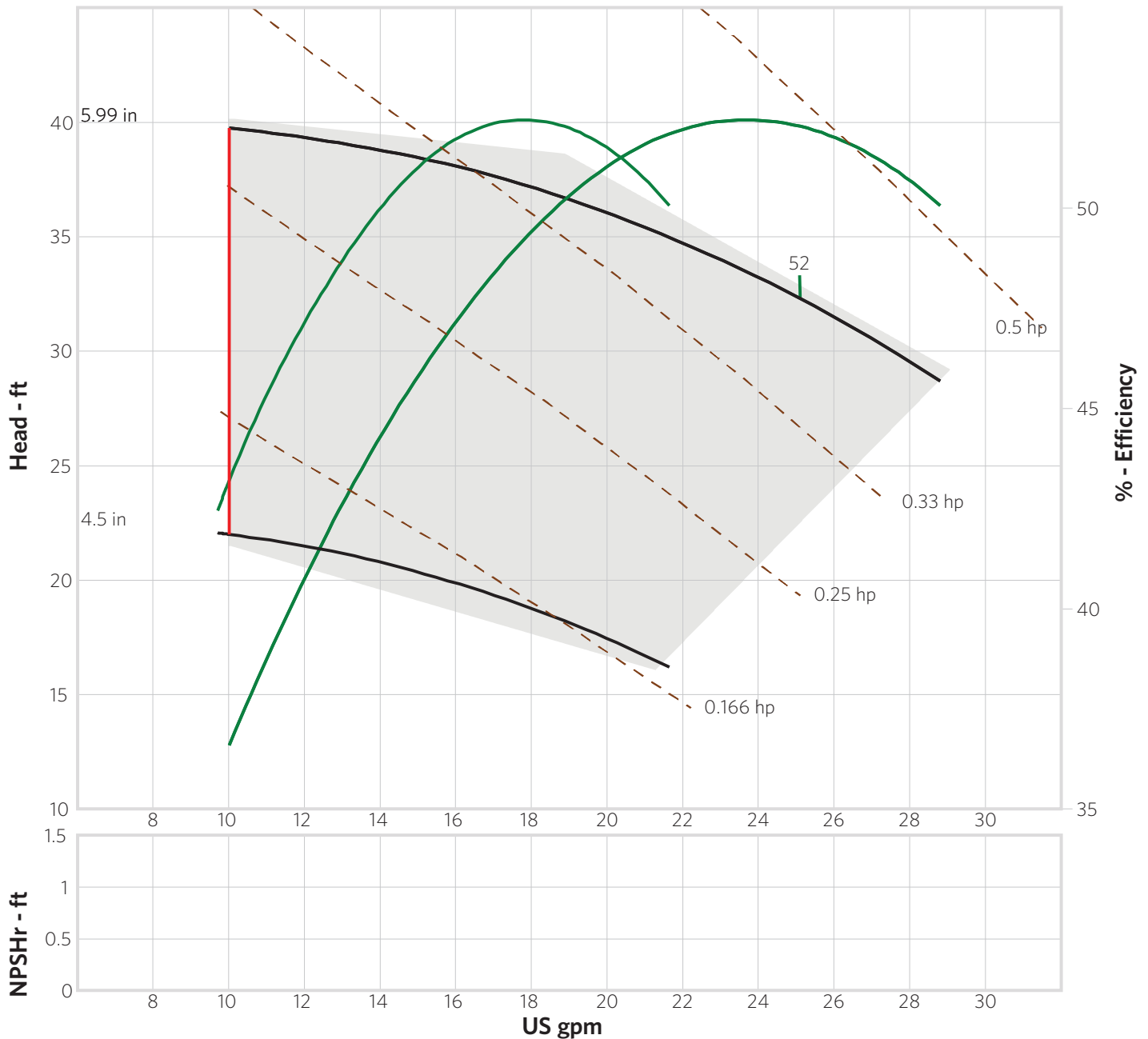
Water Temperature: 60 °F
 SG: 1 Vapor pressure: 0.2563 psi a
 Viscosity: 1.105 cP Atm pressure: 14.7 psi a

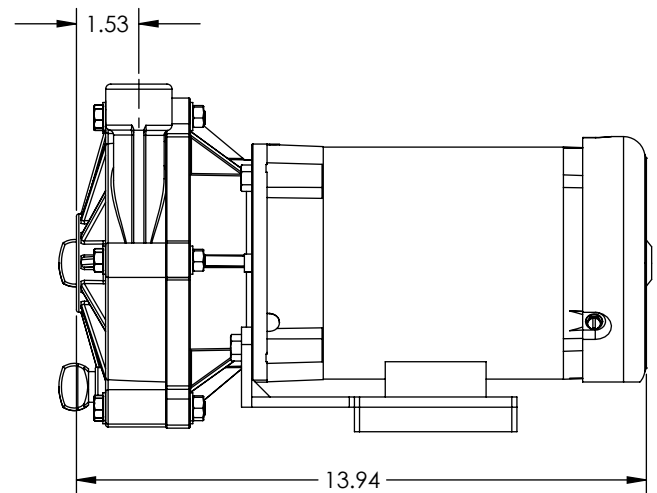
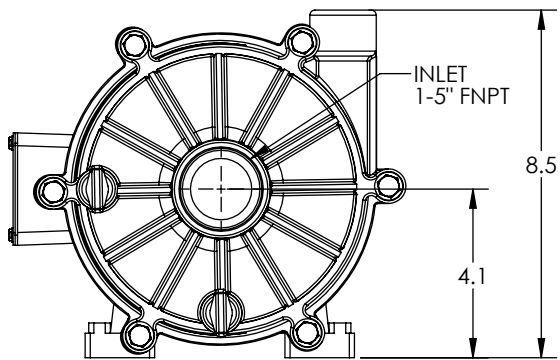
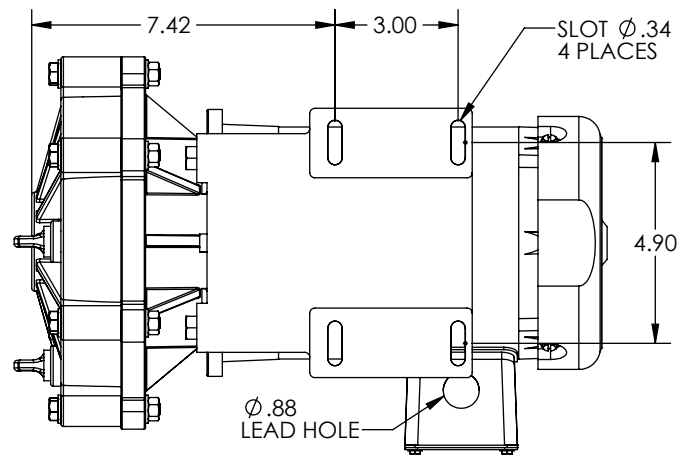
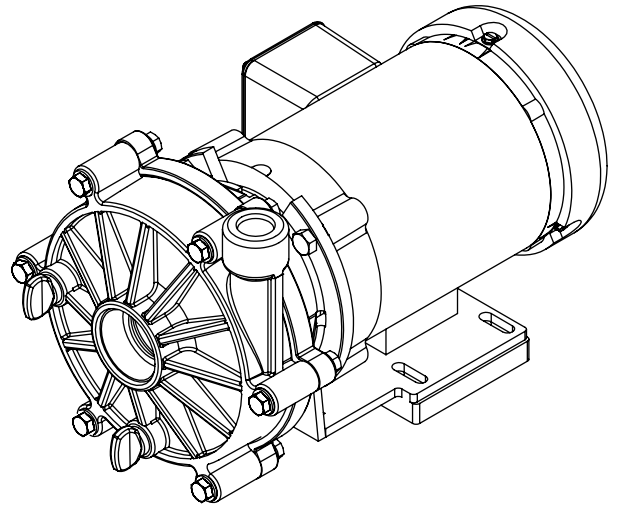
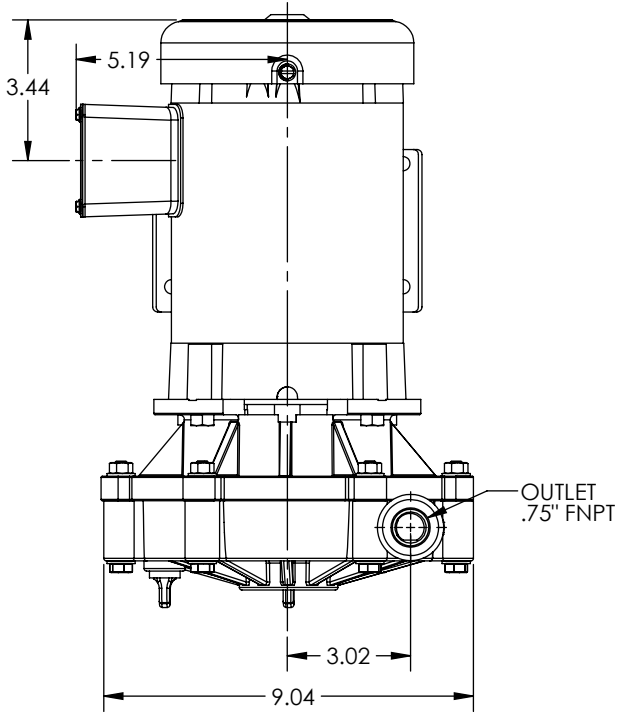
Pump Limits:

Temperature: 180 °F
 Pressure: 100 psi g
 Sphere size: 0.3 in

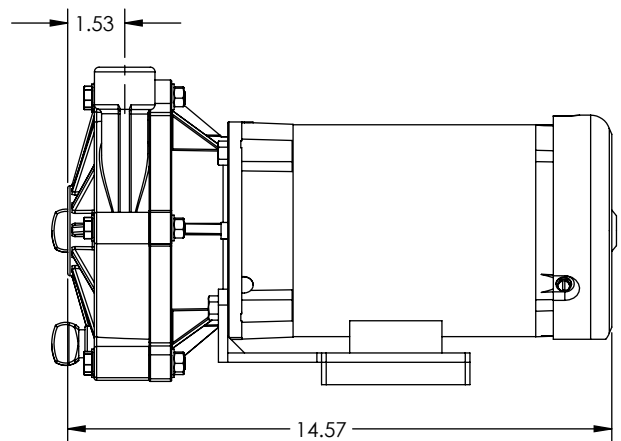
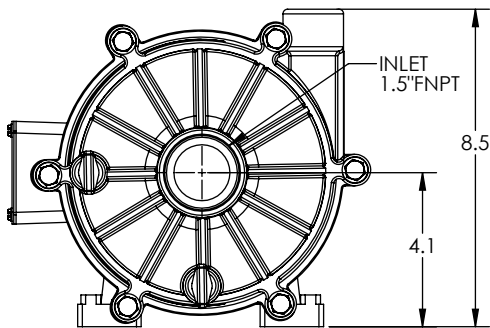
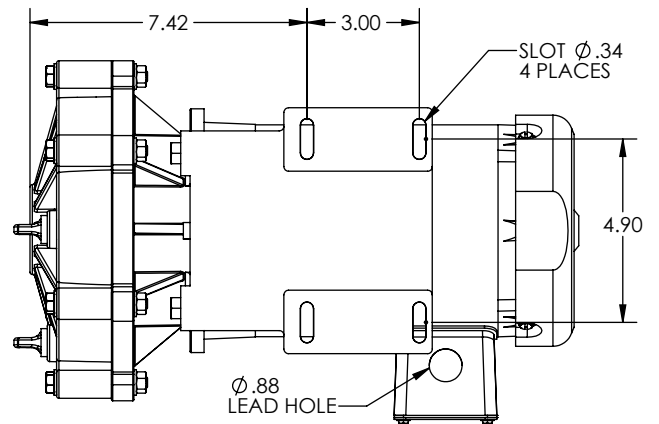
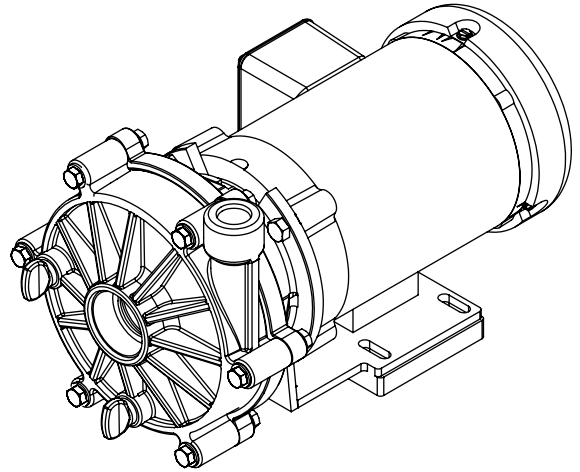
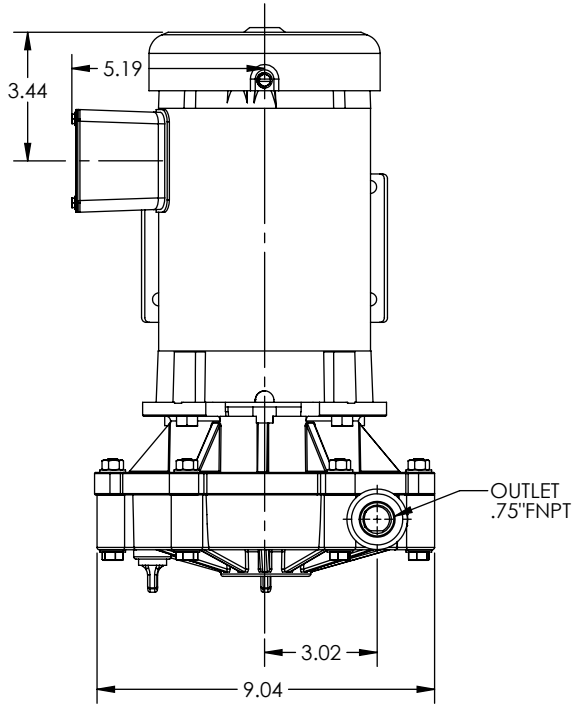
Motor:

Standard: NEMA Full Speed: 1,750 rpm
 Enclosure: TEFC
 Sizing criteria: Max Power on Design Curve

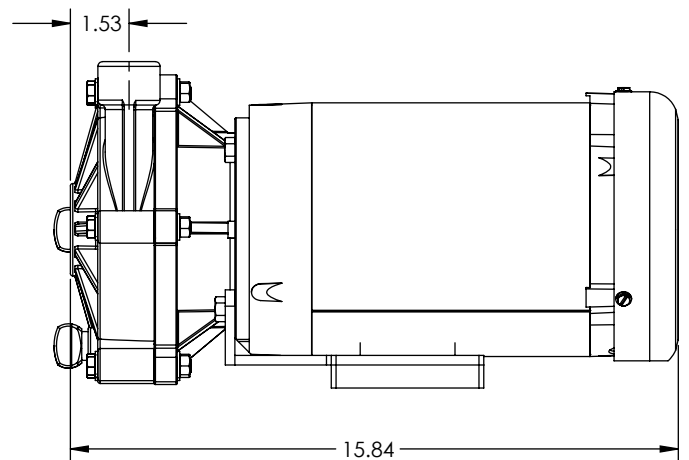
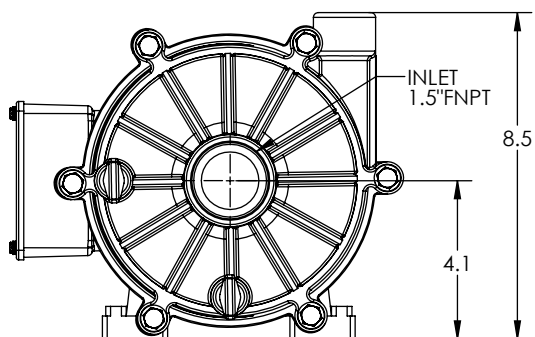
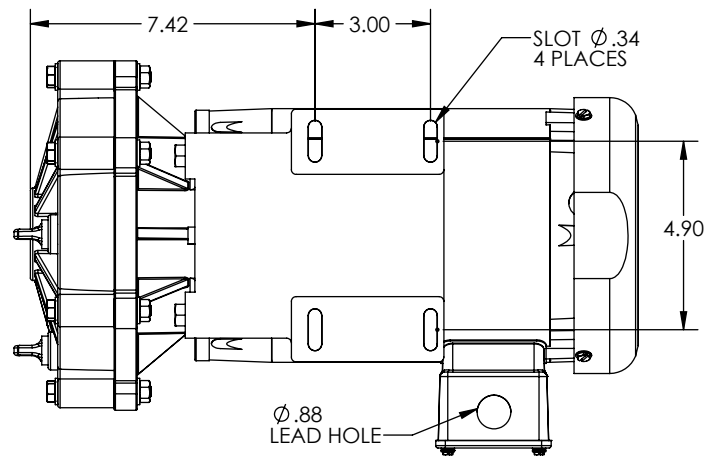
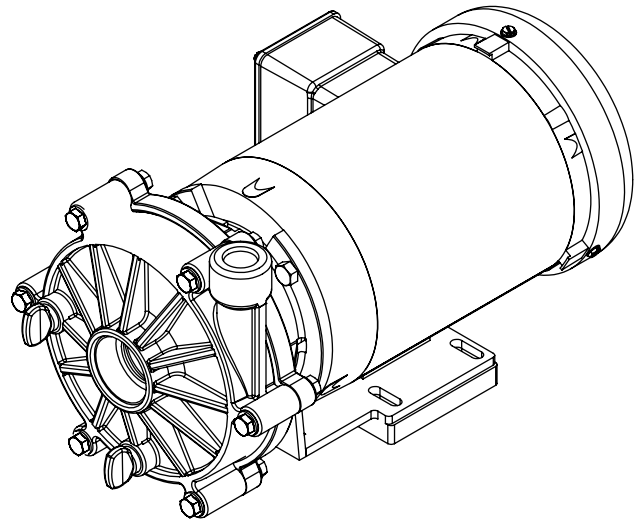
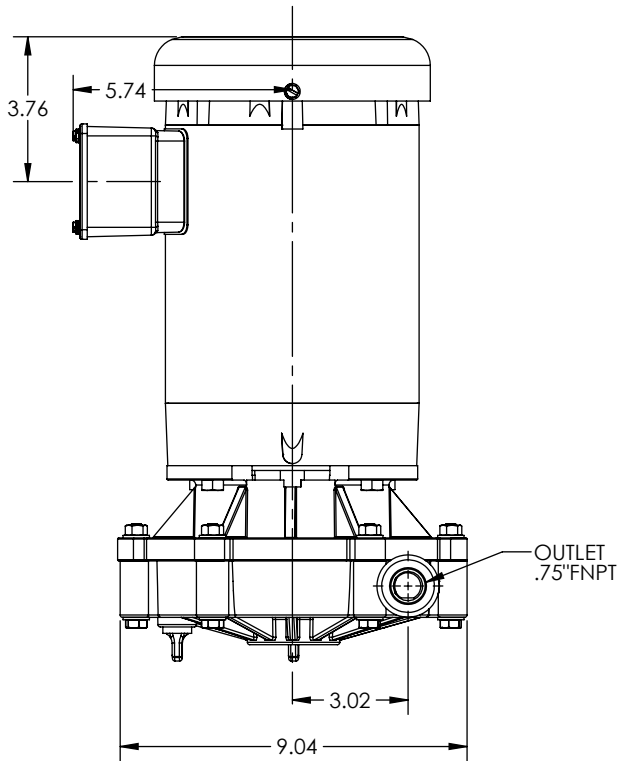




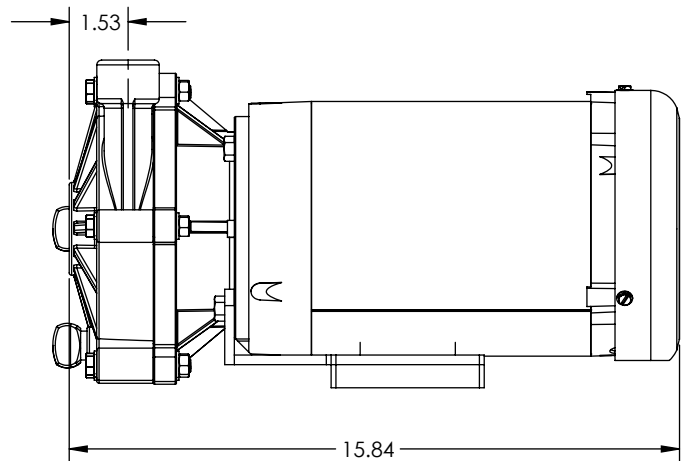
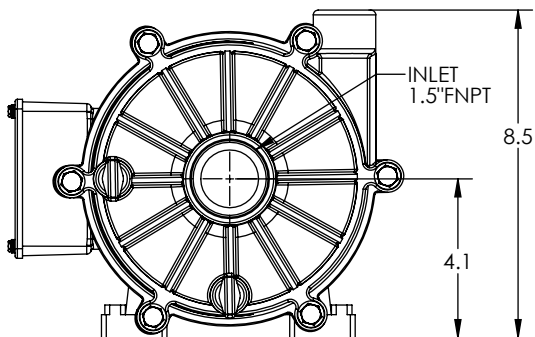
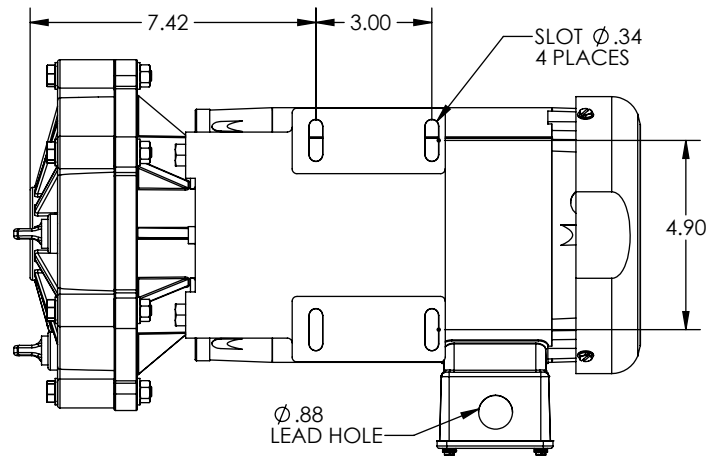
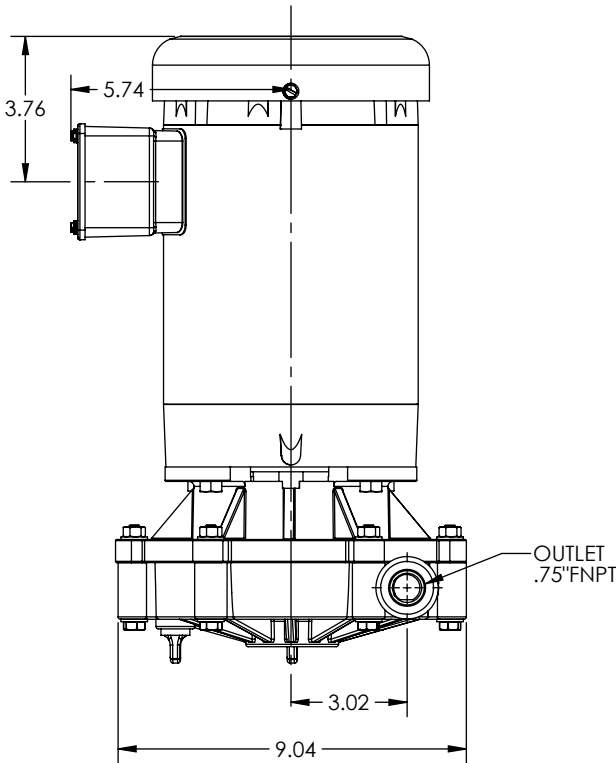
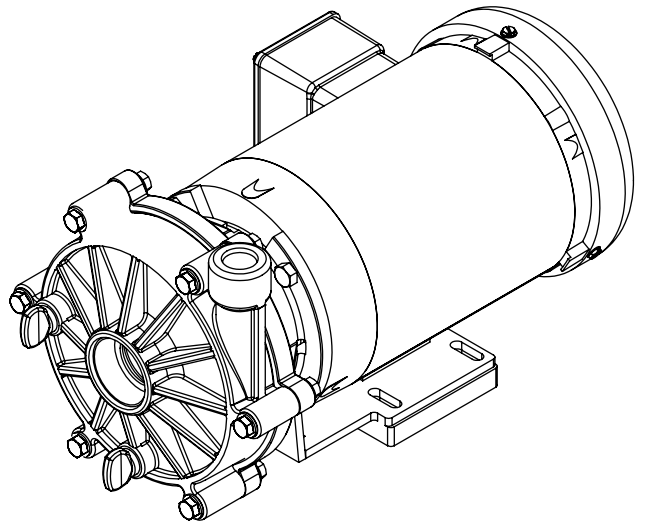
*Dimensions and illustrations are approximate and for reference only. For engineering approved documentation contact MDM Inc.



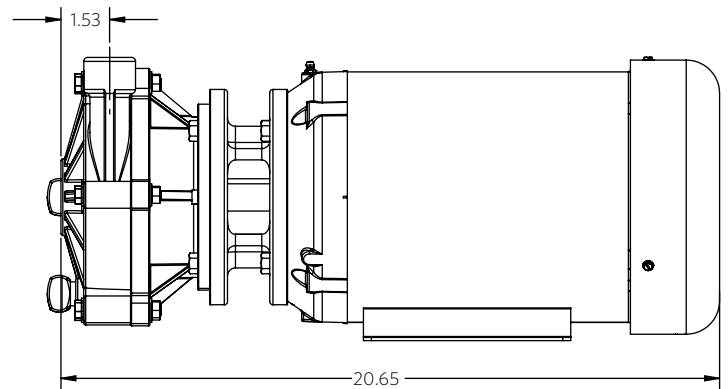
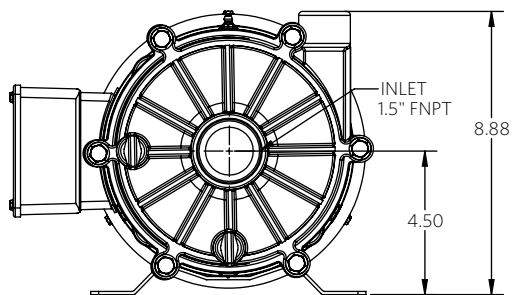
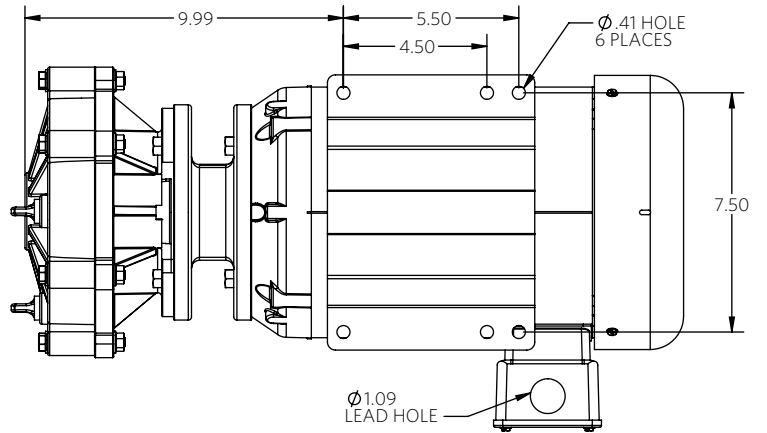
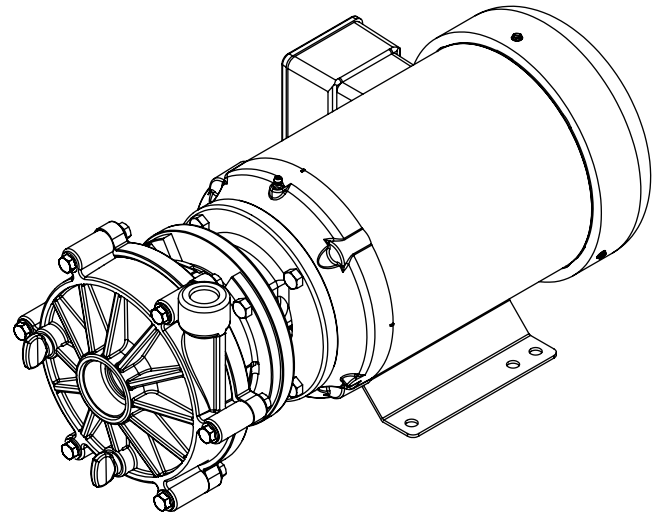
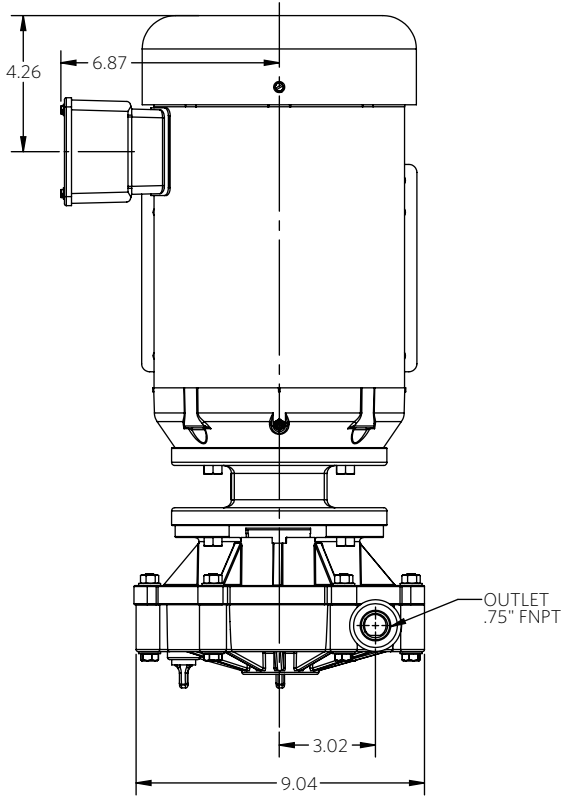
*Dimensions and illustrations are approximate and for reference only.
For engineering approved documentation contact MDM Inc.



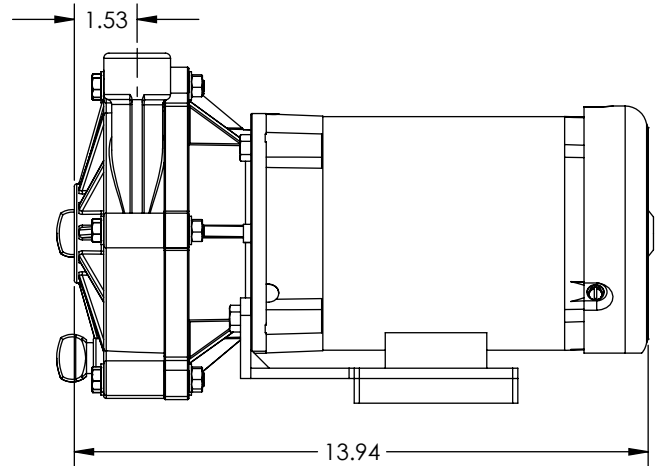
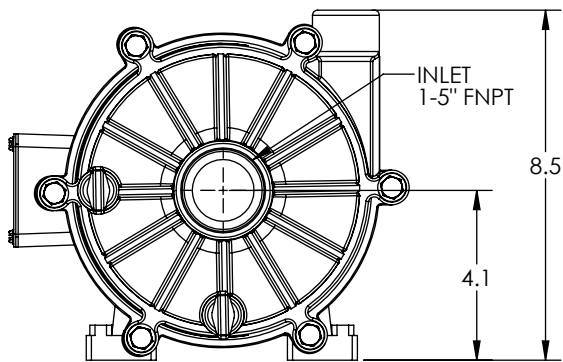
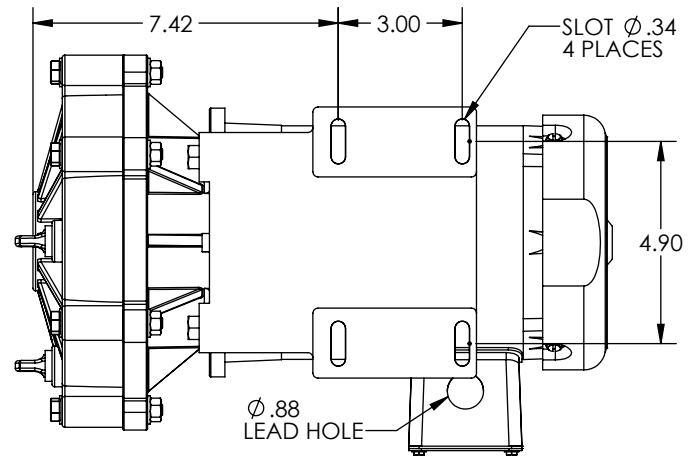
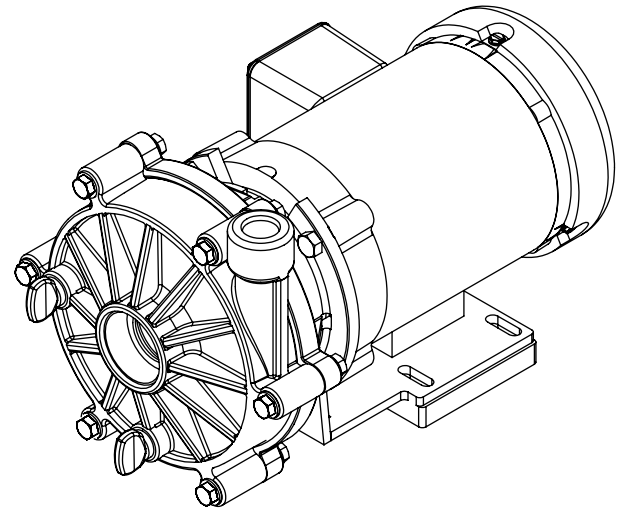
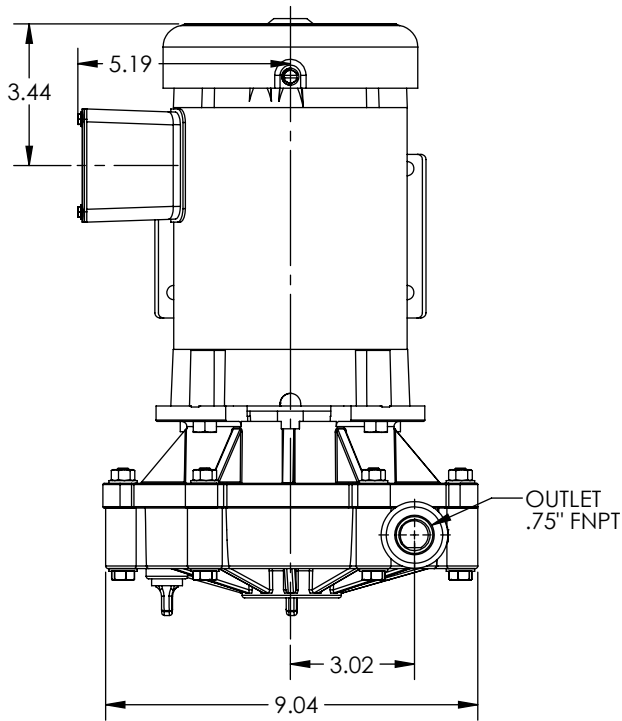
*Dimensions and illustrations are approximate and for reference only.
For engineering approved documentation contact MDM Inc.



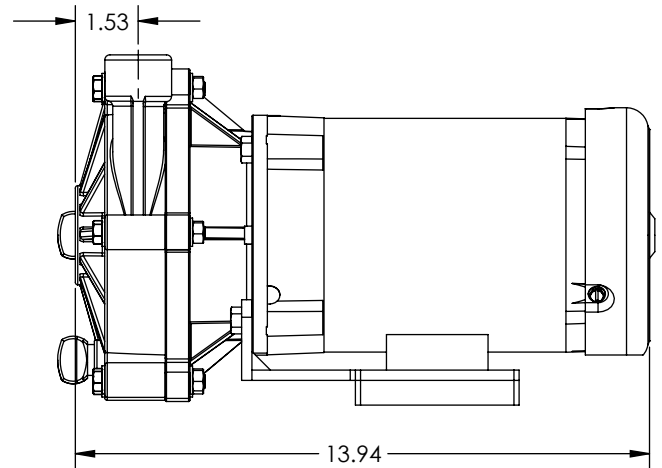
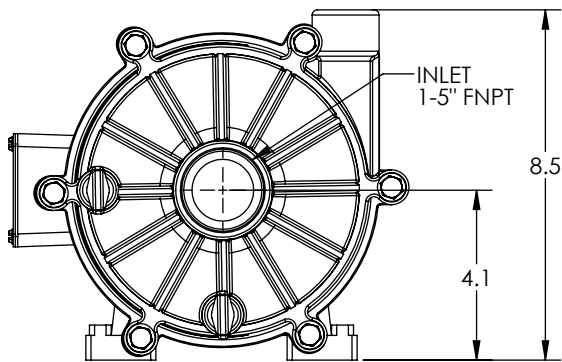
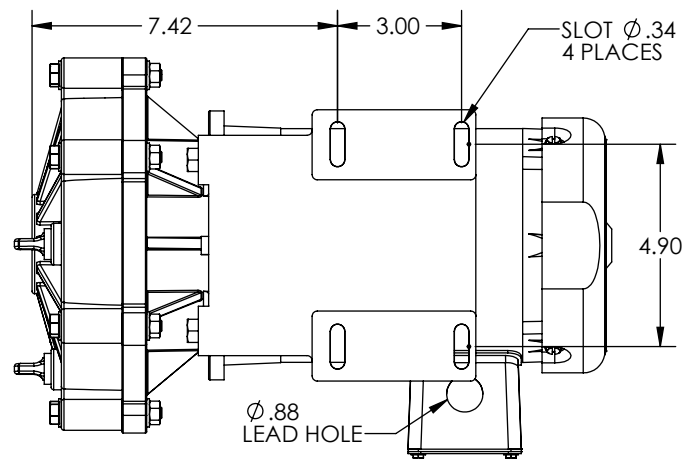
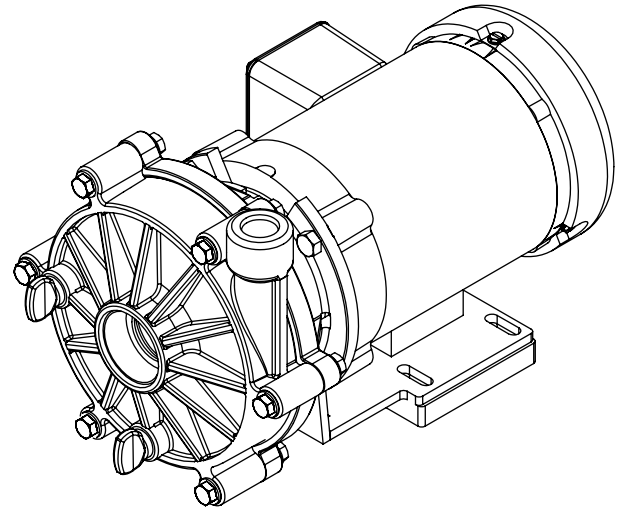
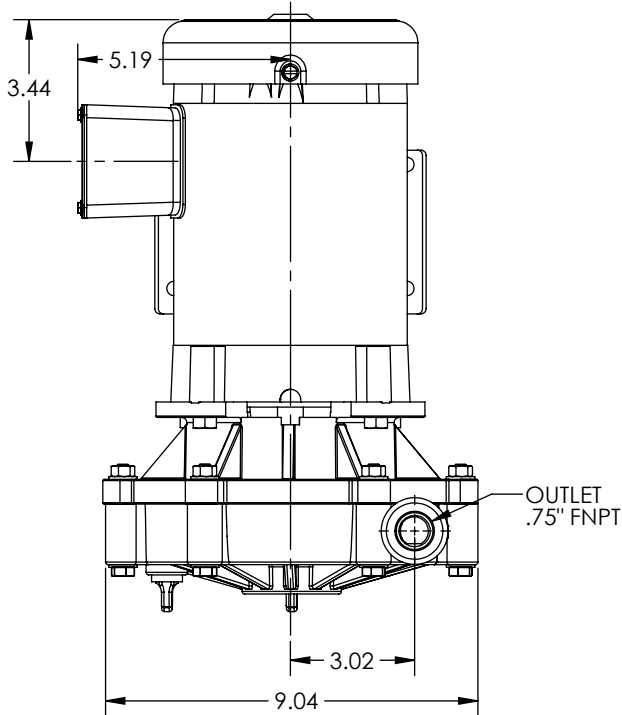
*Dimensions and illustrations are approximate and for reference only. For engineering approved documentation contact MDM Inc.



*Dimensions and illustrations are approximate and for reference only. For engineering approved documentation contact MDM Inc.

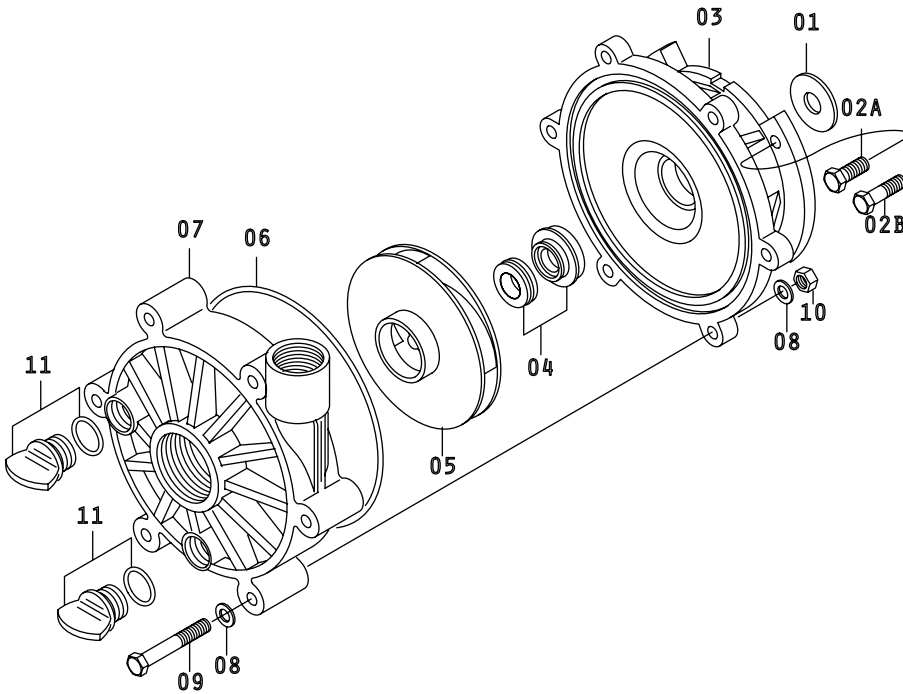


*Dimensions and illustrations are approximate and for reference only. For engineering approved documentation contact MDM Inc.

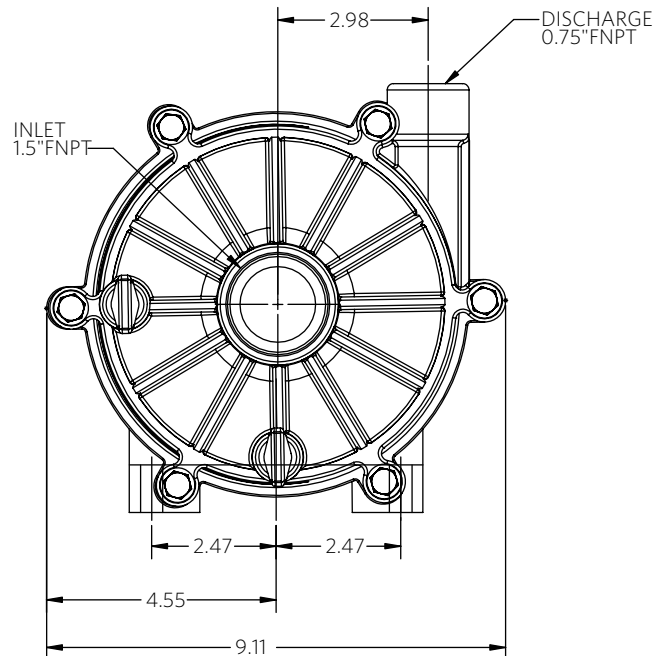
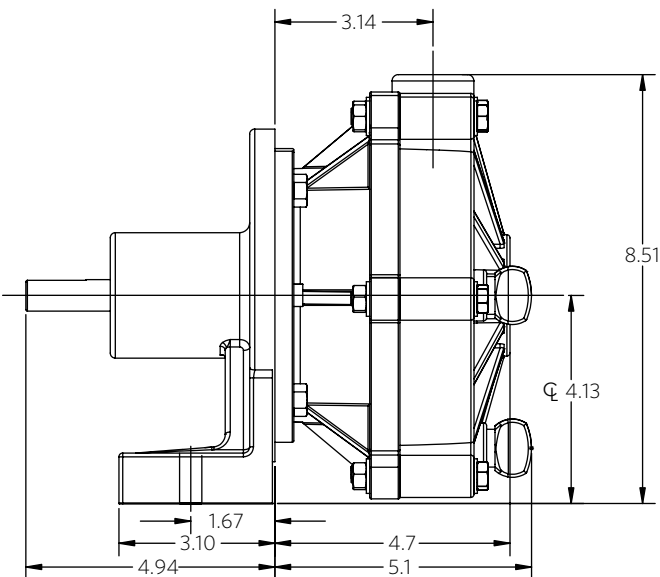


*Dimensions and illustrations are approximate and for reference only. For engineering approved documentation contact MDM Inc.

Advance® 3000 Dimensional Drawings - Exploded View and Pedestal



NUMBER	QTY	DESCRIPTION
01	1	SLINGER
02A, 02B	4	M-BOLT
03	1	BRACKET
04	1	MECHANICAL SEAL
05	1	IMPELLER
06	1	O-RING
07	1	VOLUTE
08	12	WASHER
09	6	PUMP BOLT
10	6	PUMP NUT
11	2	DRAIN PLUG & O-RING



*Dimensions and illustrations are approximate and for reference only. For engineering approved documentation contact MDM Inc.