

Pump:

Type: Genesys® 3x2-6
 Connection Sizes: Suction: 3 in
 Discharge: 2 in
 Speed: 3,450 rpm

Fluid:

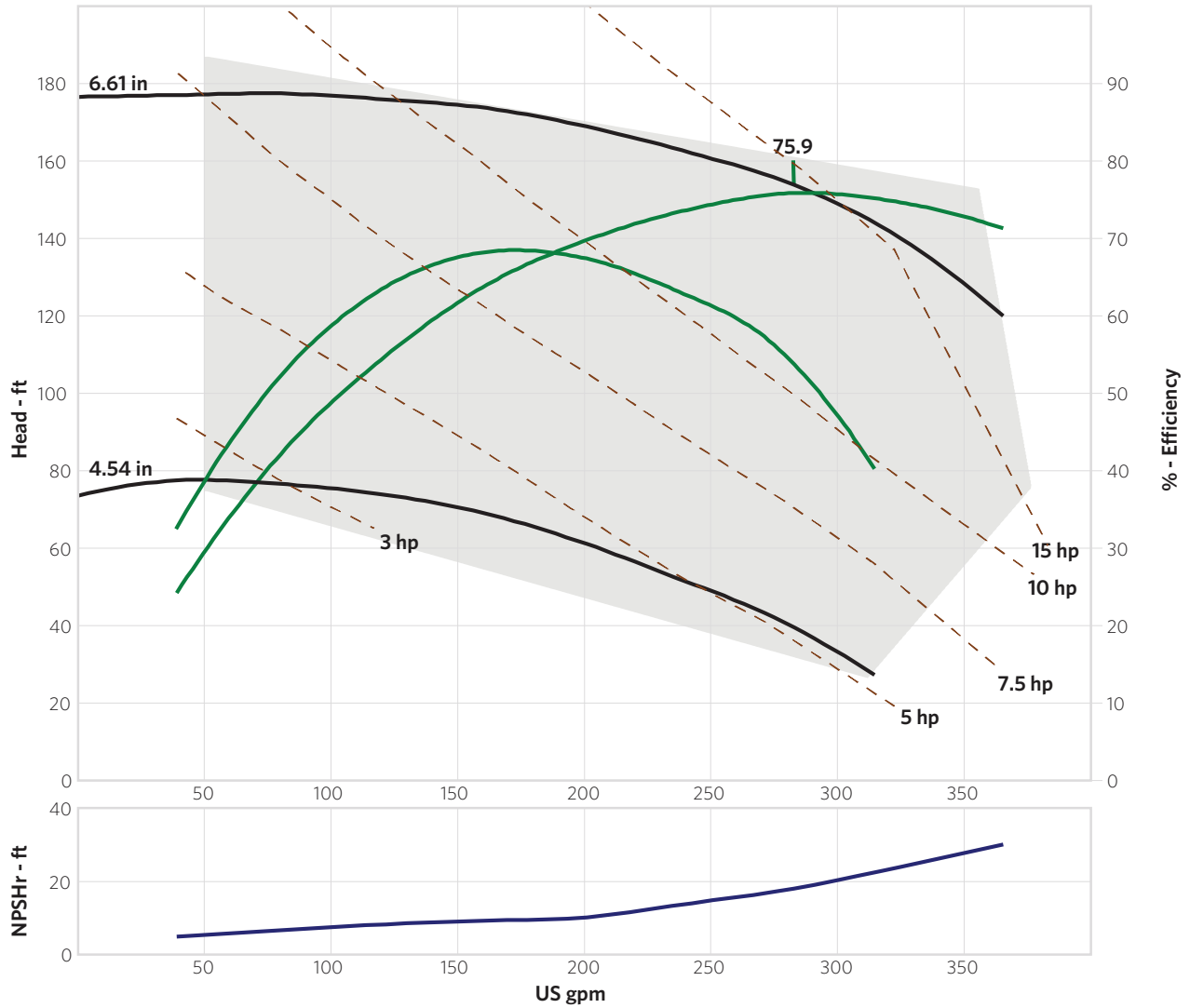
Water
 SG: 1
 Viscosity: 1.105 cP
 Temperature: 60 °F
 Vapor pressure: 0.2563 psi a
 Atm pressure: 14.7 psi a

Pump Limits:

Temperature: 194 °F
 Pressure: 78 psi g
 Sphere size: 0.5 in

Motor:

Standard: NEMA JM
 Enclosure: TEFC
 Full Speed: 3,450 rpm



Performance Evaluation:

Flow US gpm	Speed rpm	Head ft	Efficiency %	Power hp	NPSHr ft
350	3550	128	72.6	15.5	27.9
292	3550	151	75.6	14.7	19.5
234	3550	163	73	13.2	13.3
175	3550	172	66.1	11.5	9.63
117	3550	176	53.5	9.69	8.17



Pump:

Type: Genesys® 3x2-6
 Connection Sizes: Suction: 3 in
 Discharge: 2 in
 Speed: 1,750 rpm

Fluid:

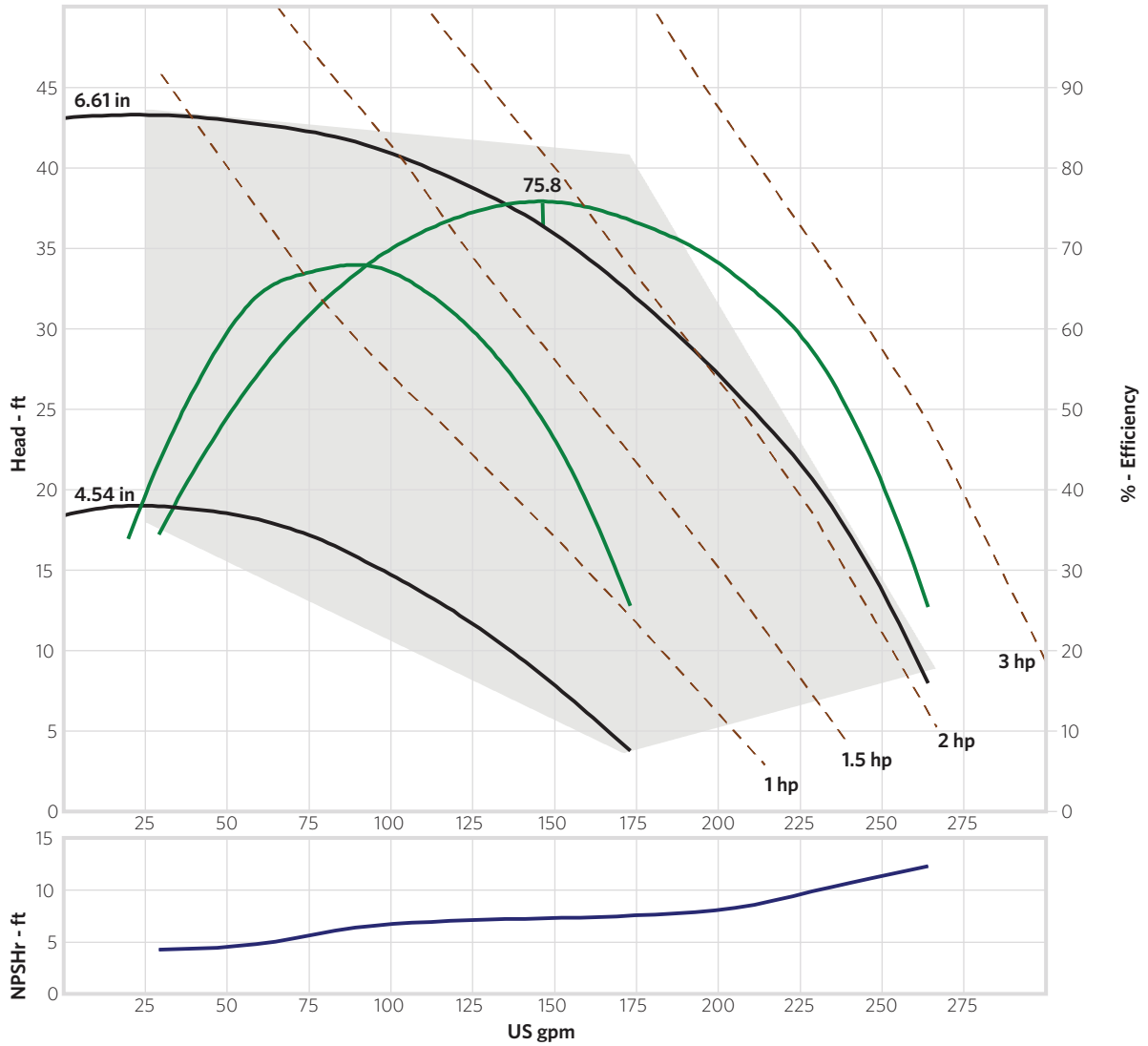
Water
 SG: 1
 Viscosity: 1.105 cP
 Temperature: 60 °F
 Vapor pressure: 0.2563 psi a
 Atm pressure: 14.7 psi a

Pump Limits:

Temperature: 194 °F
 Pressure: 20 psi g
 Sphere size: 0.5 in

Motor:

Standard: NEMA JM
 Enclosure: TEFC
 Full Speed: 1,750 rpm


Performance Evaluation:

Flow US gpm	Speed rpm	Head ft	Efficiency %	Power hp	NPSHr ft
253	1750	12.1	35.9	2.09	11.6
211	1750	24.6	64	2.04	8.71
169	1750	32.8	73.8	1.89	7.51
127	1750	38.4	74.2	1.65	7.13
84.4	1750	41.8	64.9	1.36	6.16



Pump:

Type: Genesys® 3x2-6
 Connection Sizes:
 Speed: 1,150 rpm
 Suction: 3 in
 Discharge: 2 in

Fluid:

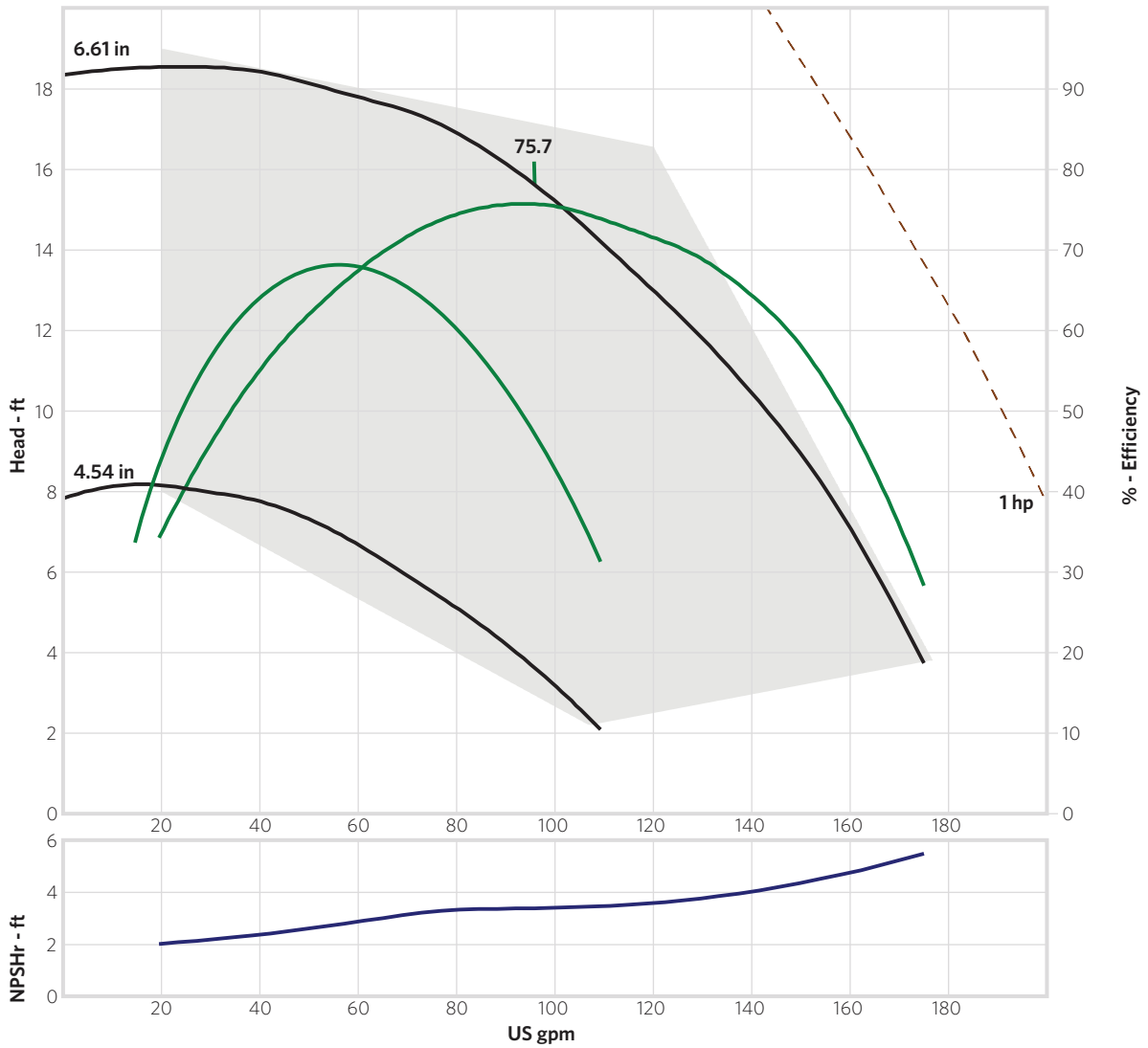
Water
 SG: 1
 Viscosity: 1.105 cP
 Temperature: 60 °F
 Vapor pressure: 0.2563 psi a
 Atm pressure: 14.7 psi a

Pump Limits:

Temperature: 194 °F
 Pressure: 10 psi g
 Sphere size: 0.5 in

Motor:

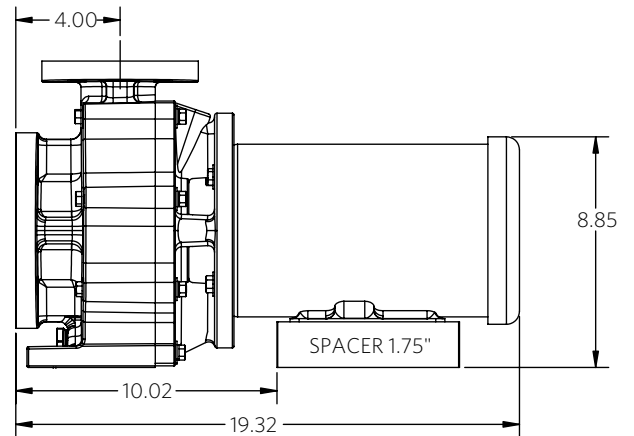
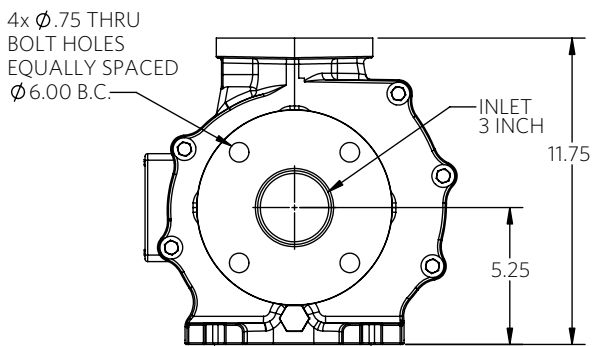
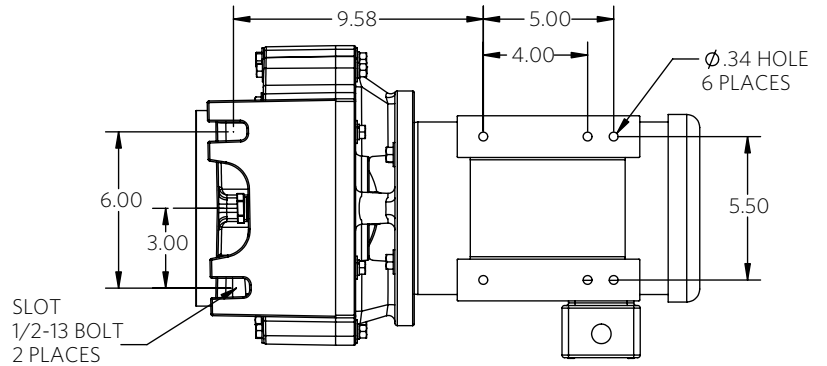
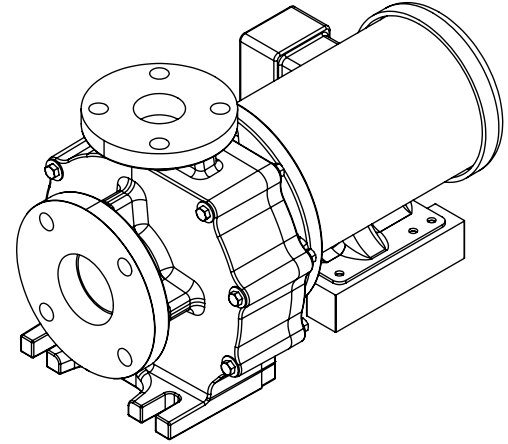
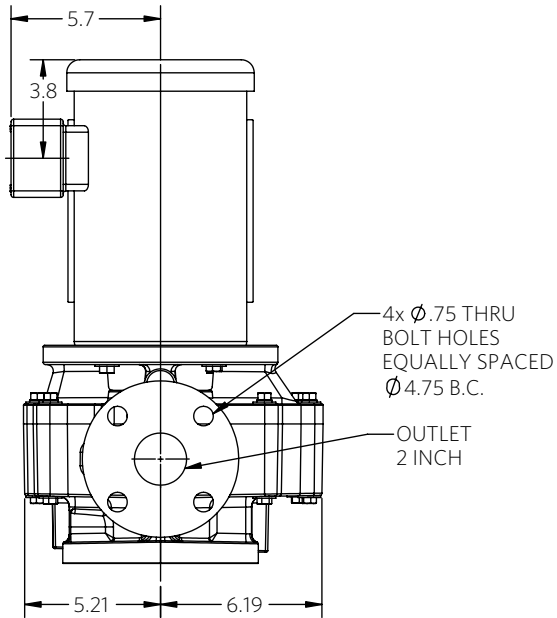
Standard: NEMA JM
 Enclosure: TEFC
 Full Speed: 1,150 rpm



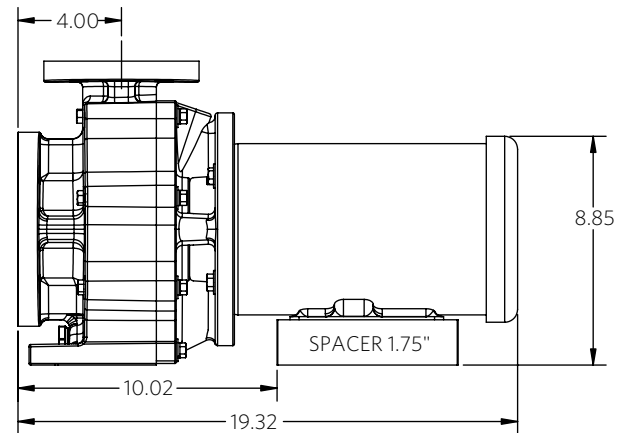
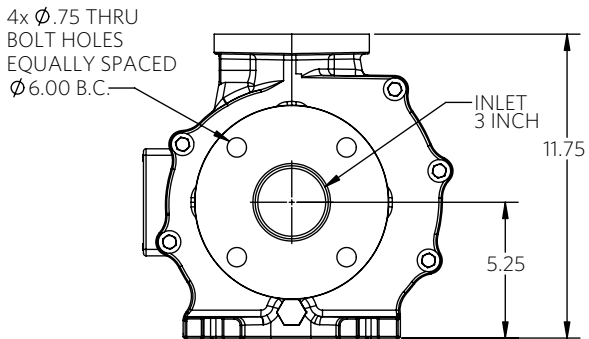
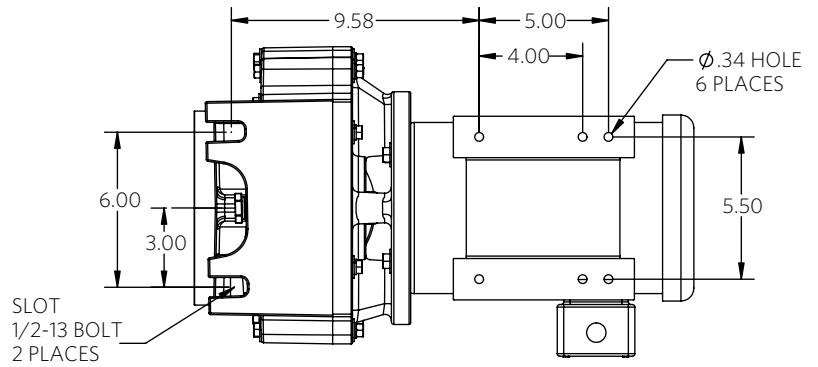
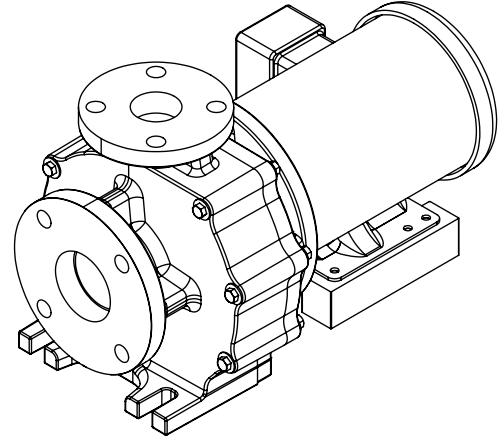
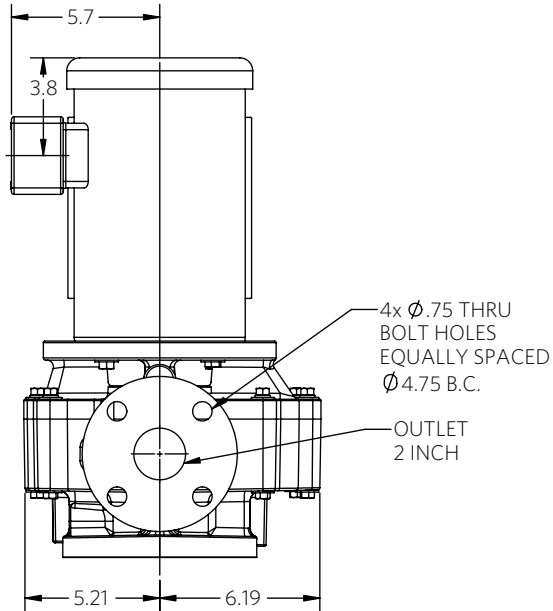
Performance Evaluation:

Flow US gpm	Speed rpm	Head ft	Efficiency %	Power hp	NPSHr ft
168	1150	5.24	37	0.585	5.16
140	1150	10.3	63.3	0.573	4.07
112	1150	13.9	73.1	0.535	3.51
84	1150	16.5	74.5	0.469	3.33
56	1150	17.9	65.3	0.387	2.78

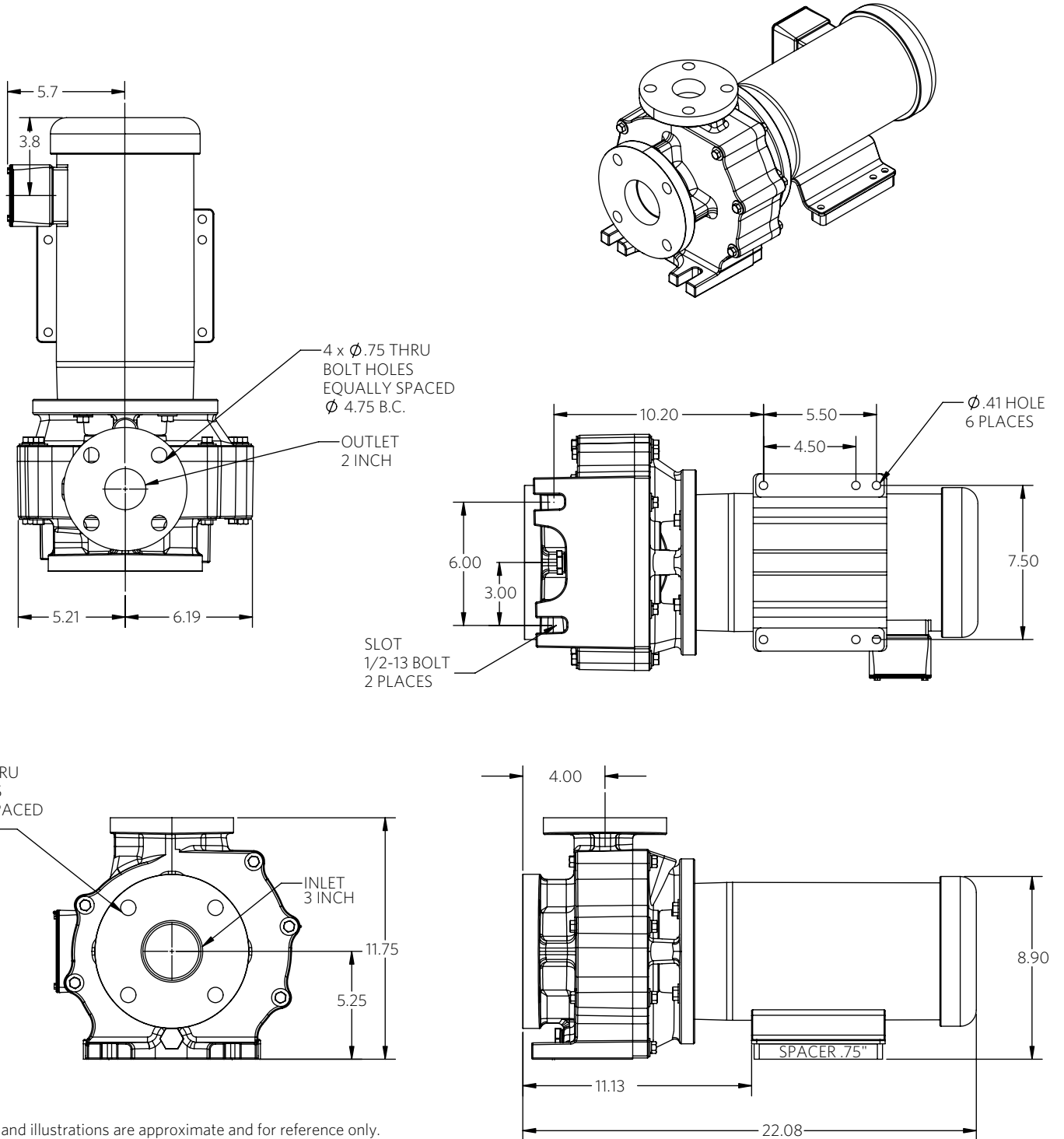




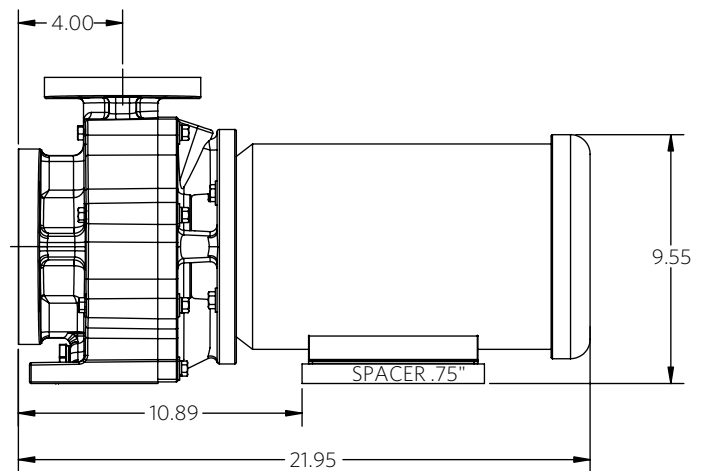
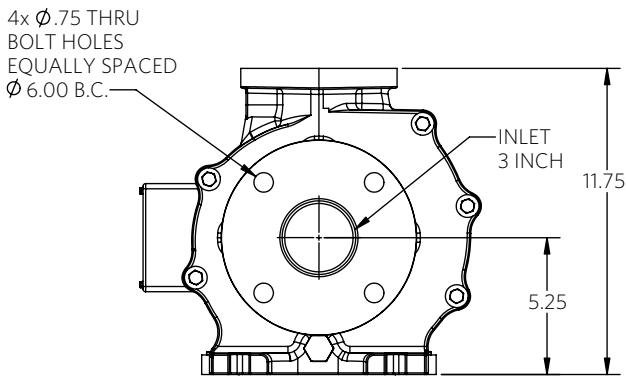
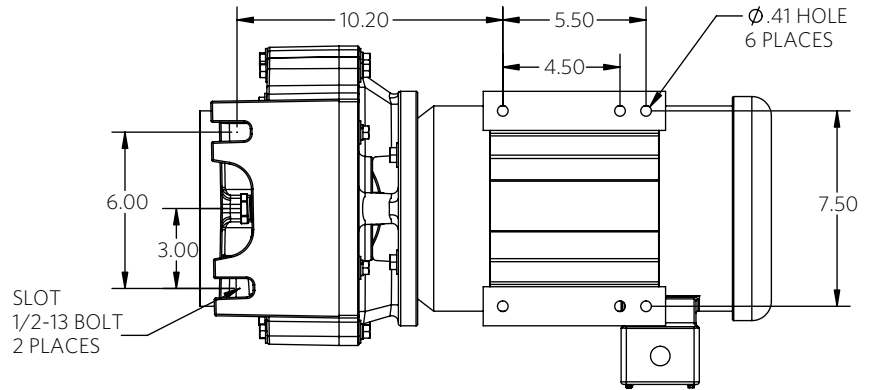
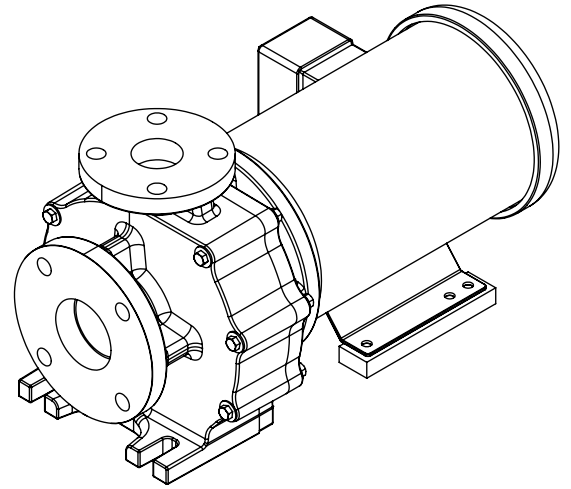
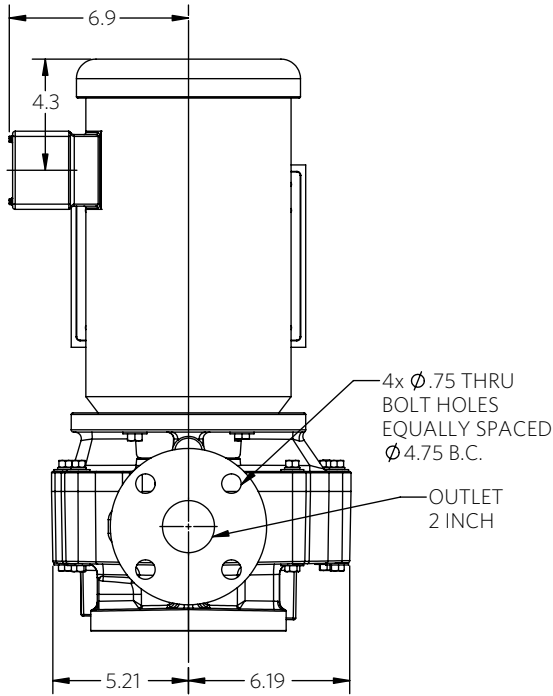
*Dimensions and illustrations are approximate and for reference only. For engineering approved documentation contact MDM Inc.



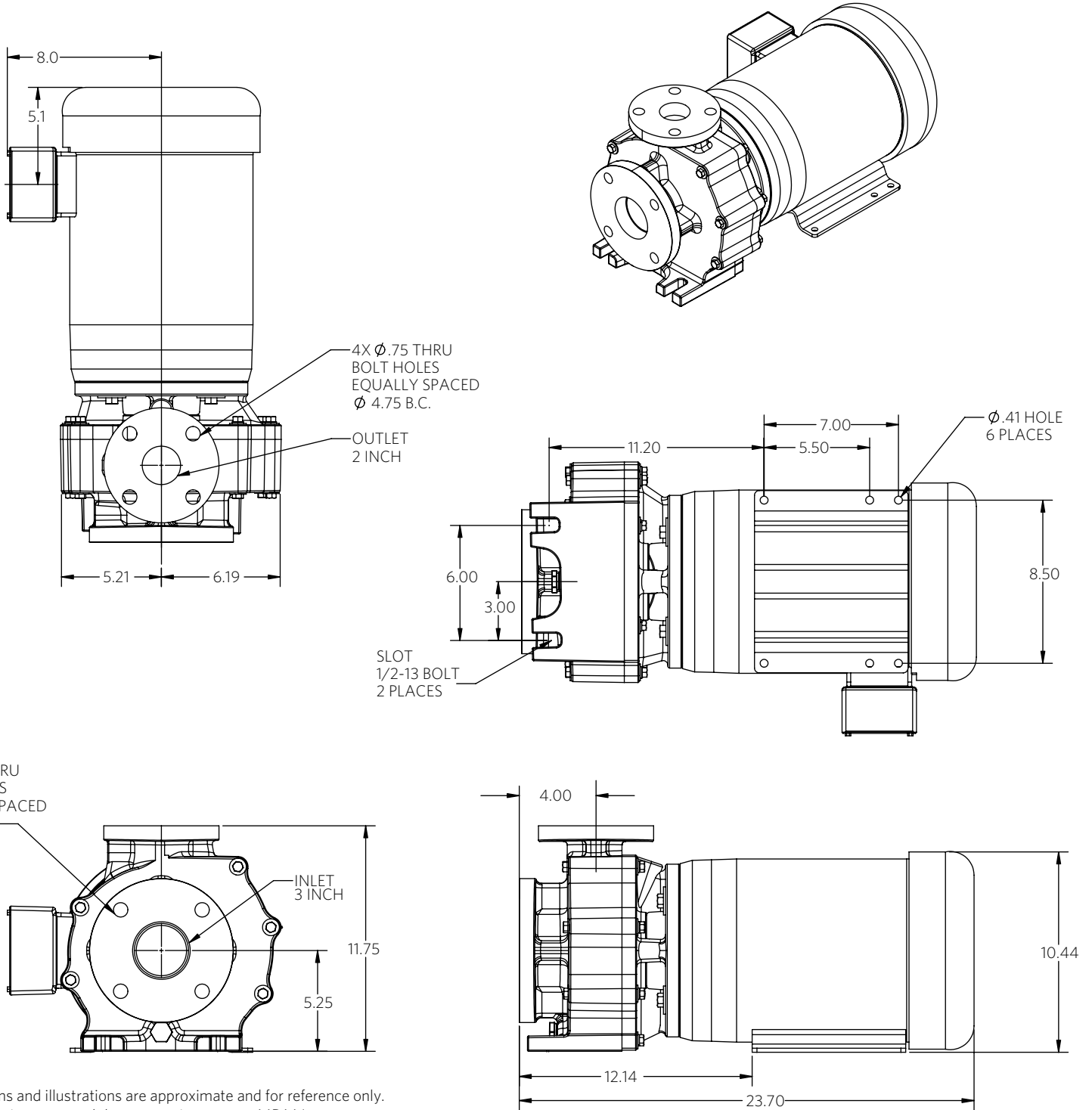
*Dimensions and illustrations are approximate and for reference only. For engineering approved documentation contact MDM Inc.



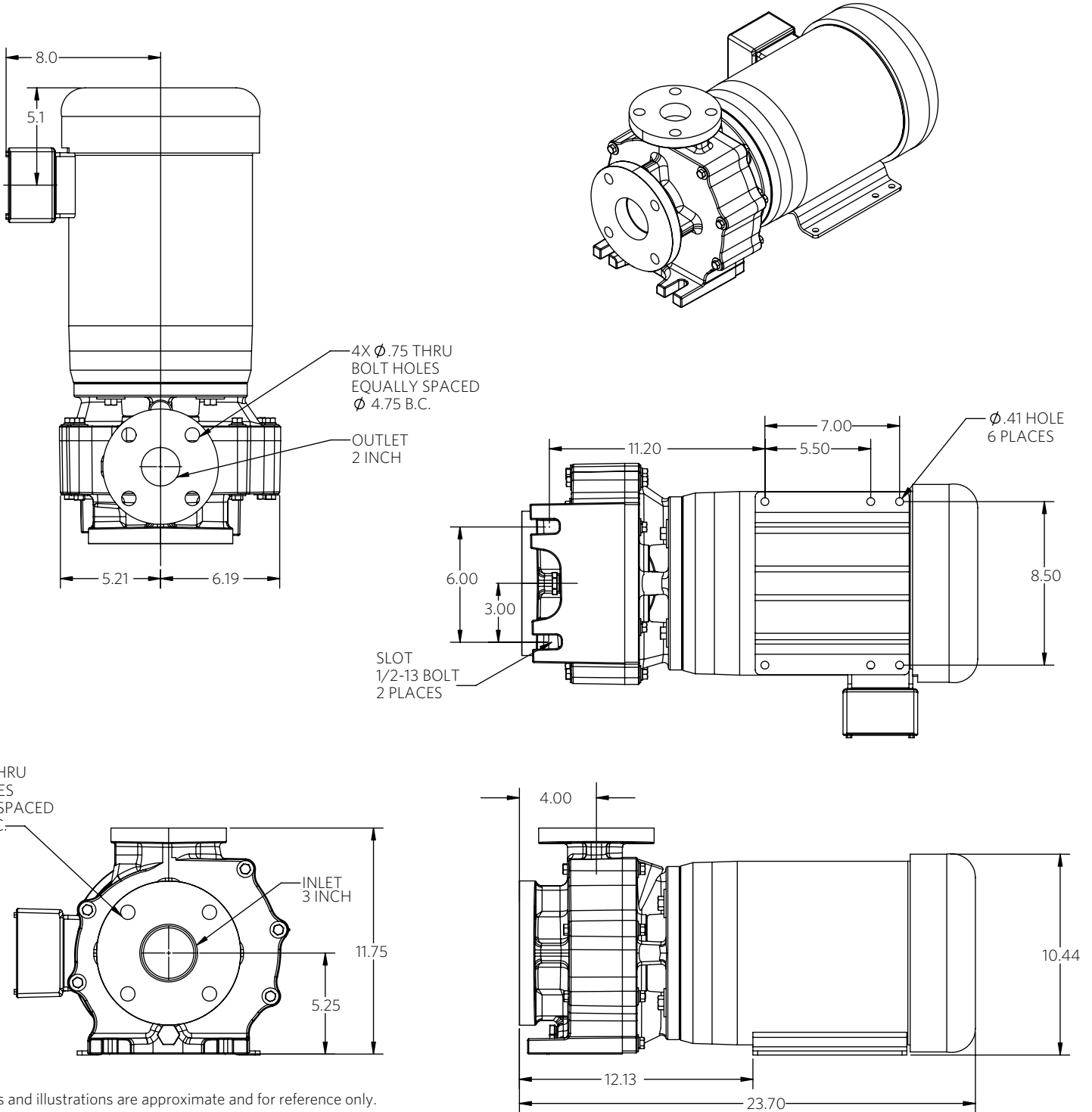
*Dimensions and illustrations are approximate and for reference only.
 For more information, please visit www.genesyspumps.com



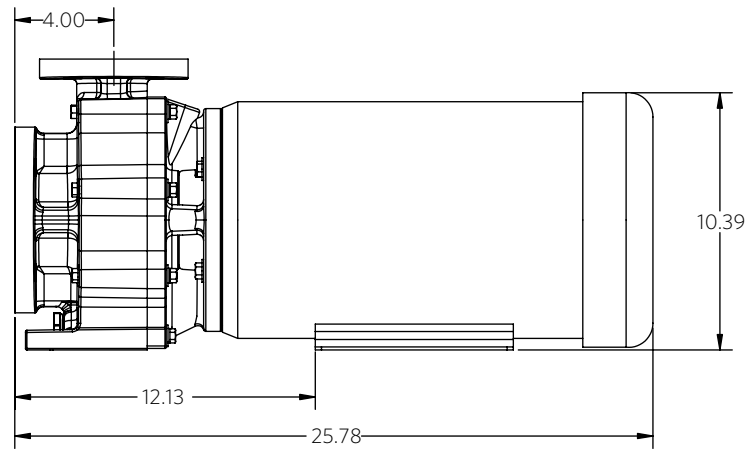
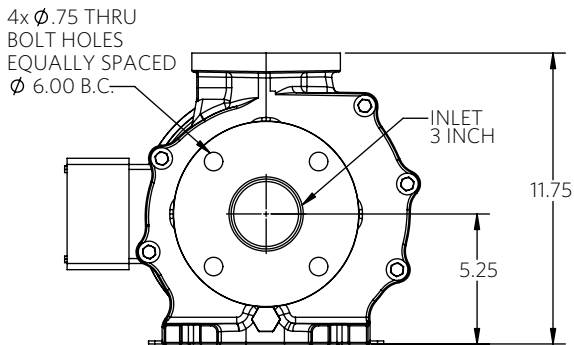
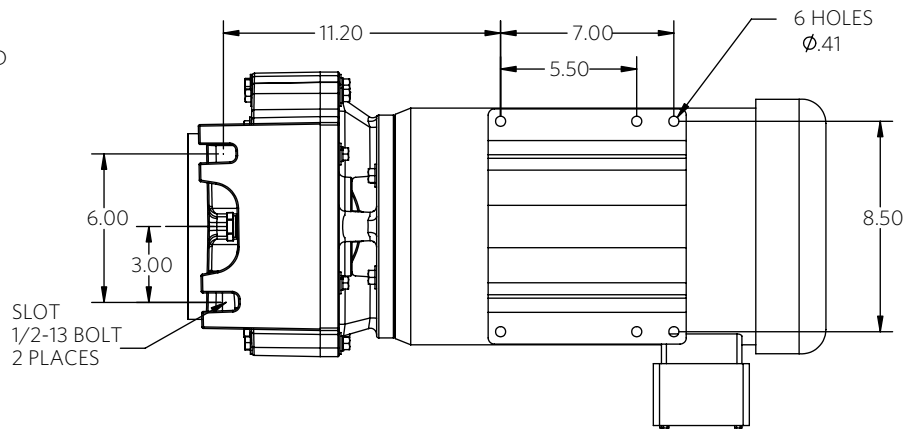
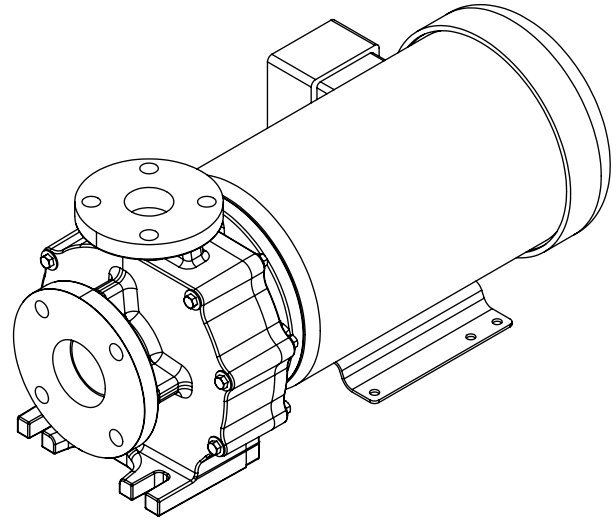
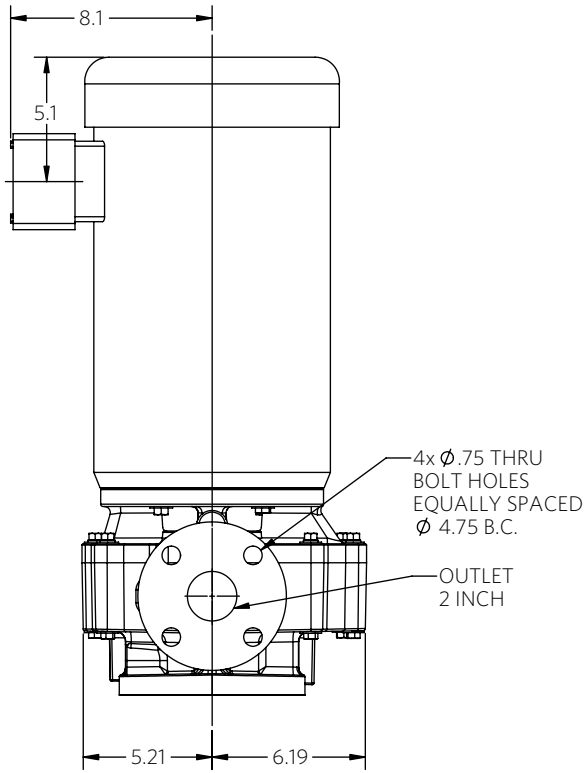
*Dimensions and illustrations are approximate and for reference only. For engineering approved documentation contact MDM Inc.



*Dimensions and illustrations are approximate and for reference only. For engineering approved documentation contact MDM Inc.



*Dimensions and illustrations are approximate and for reference only. For engineering approved documentation contact MDM Inc.



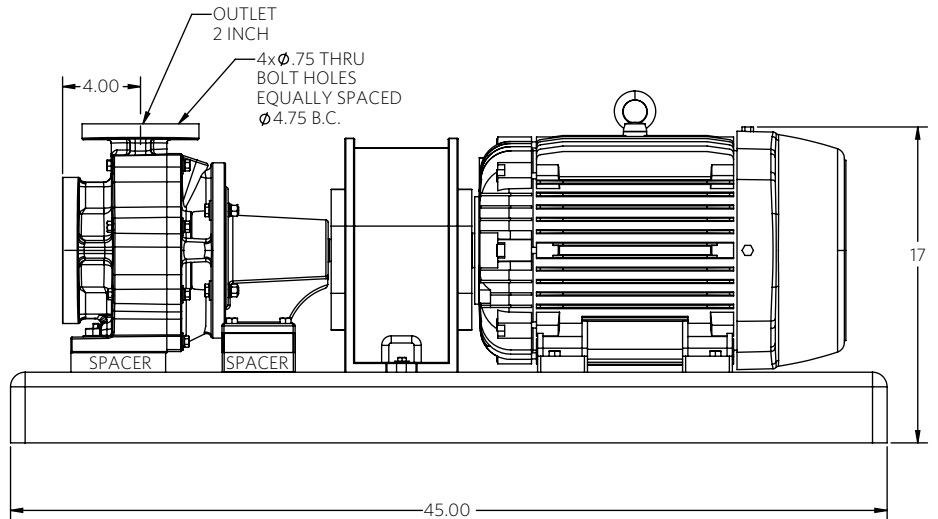
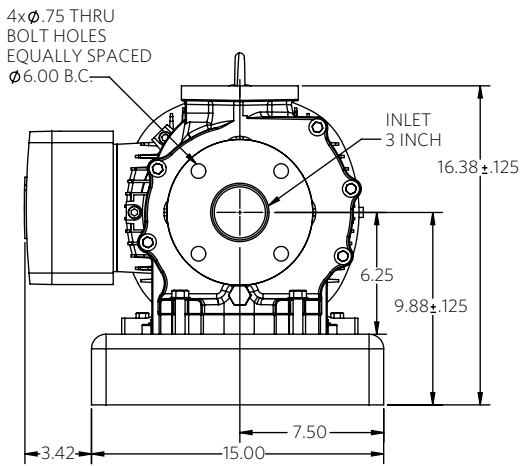
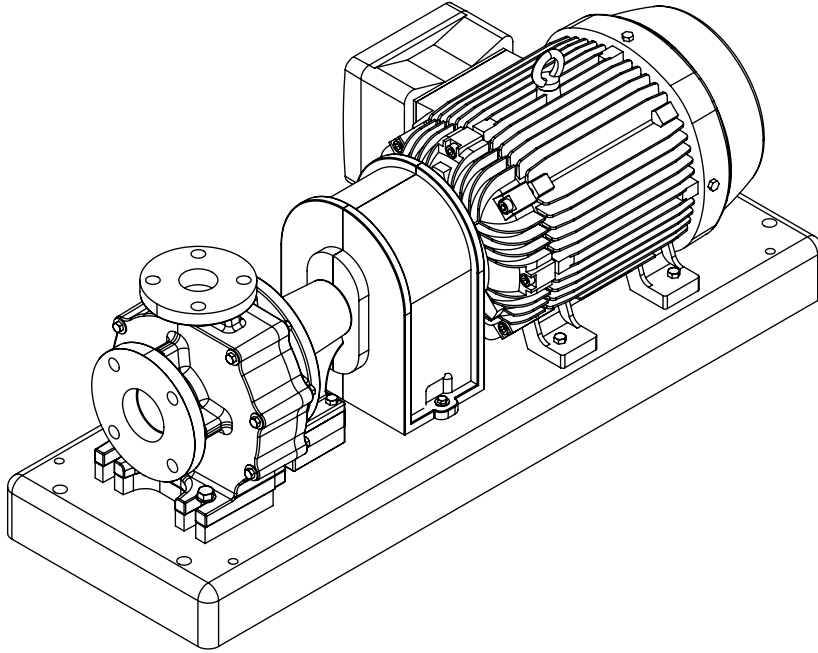
*Dimensions and illustrations are approximate and for reference only. For engineering approved documentation contact MDM Inc.

Genesys® 3x2-6 Dimensional Drawings

G1X-43N-23-FP-AP

20 Horsepower

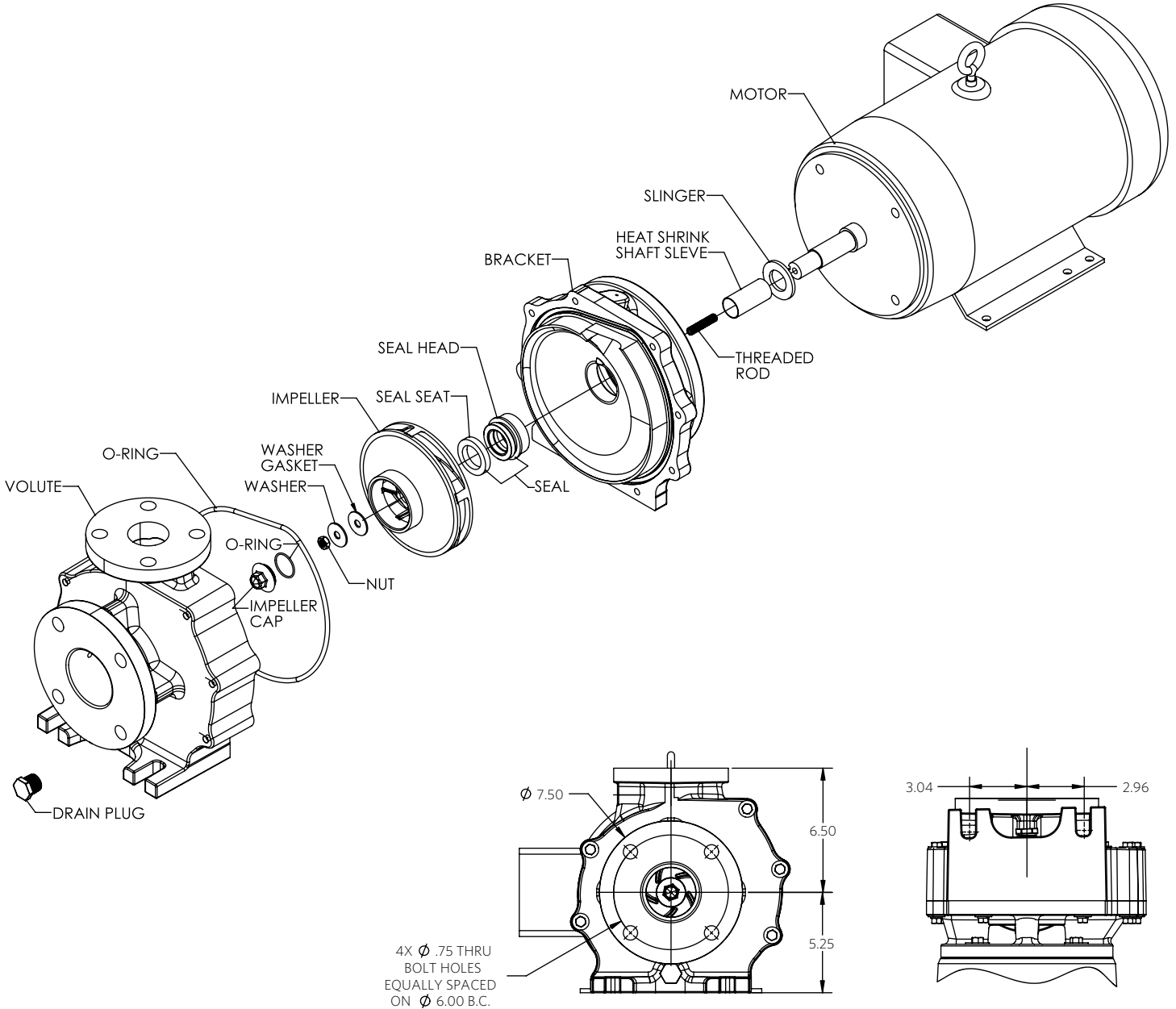
2 Pole



*Dimensions and illustrations are approximate and for reference only. For engineering approved documentation contact MDM Inc.



Genesys® 3x2-6 Dimensional Drawings - 3x2-6 Exploded View and Wet End



*Dimensions and illustrations are approximate and for reference only. For engineering approved documentation contact MDM Inc.