

\*Dimensions and illustrations are approximate and for reference only.

**Sequence® 750 Series - Model 3600SEQ12**

Our best seller. The compact model 750 series delivers big flow for little power. Great for smaller and simple ponds (3,000 gallons or less).



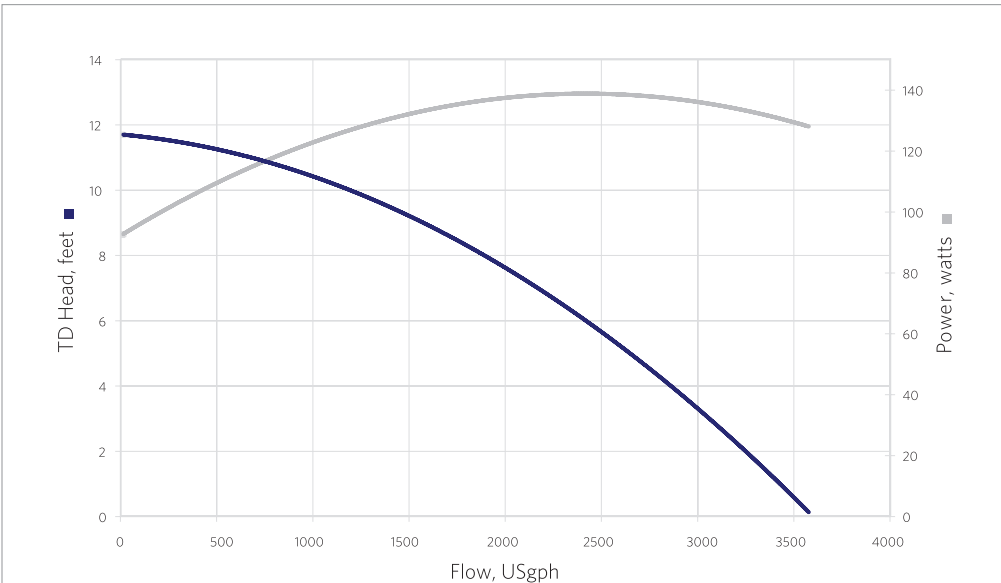
5 YEAR LIMITED WARRANTY



8 FOOT CORD SET



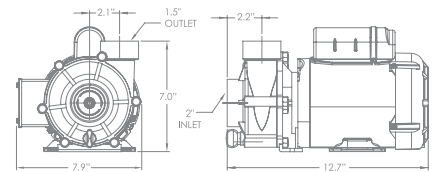
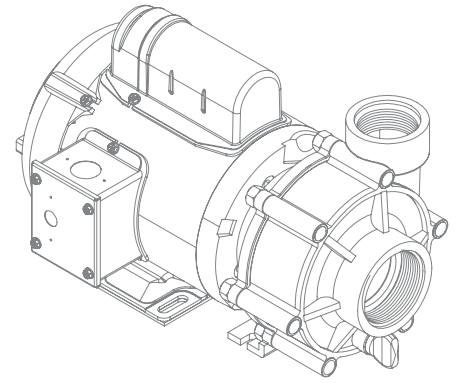
TEFC FAN COOLED MOTOR



Flow At Total Dynamic Head	2'	4'	6'	8'	10'
GPM	54	47	40	31	20
GPH	3240	2820	2400	1860	1200

MODEL	3600SEQ12
INLET	2"
DISCHARGE	1.5"
MAX FLOW (gph)	3600
MAX HEAD (feet)	12'
MAX POWER (watts)	142
MAX CURRENT (amps)	1.25
@ (volts)	115
MOTOR HP	1/8
MOTOR ENCLOSURE	TEFC
IMPELLER	8





\*Dimensions and illustrations are approximate and for reference only.

**Sequence® 750 Series - Model 4200SEQ12**

Our best seller. The compact model 750 series delivers big flow for little power. Great for smaller and simple ponds (3,000 gallons or less).



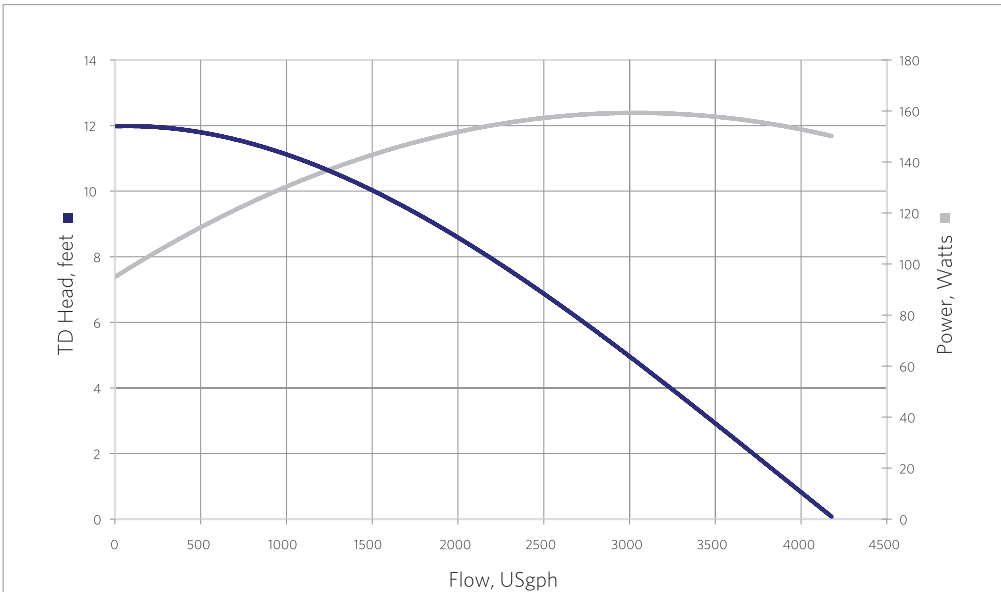
**5 YEAR LIMITED WARRANTY**



**8 FOOT CORD SET**



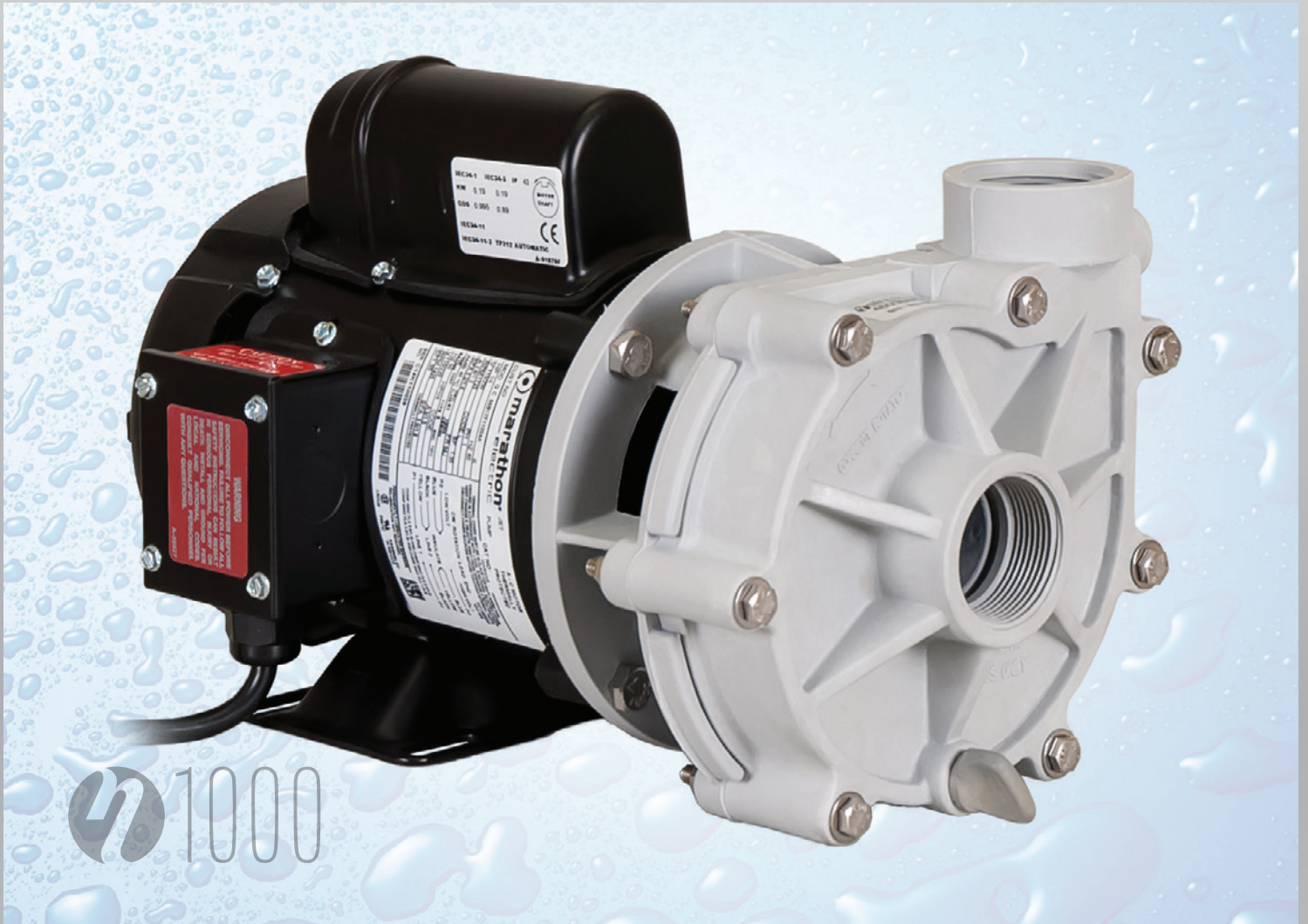
**TEFC FAN COOLED MOTOR**

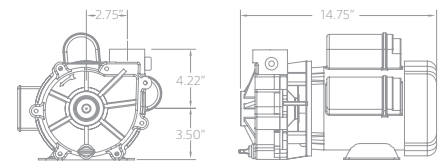
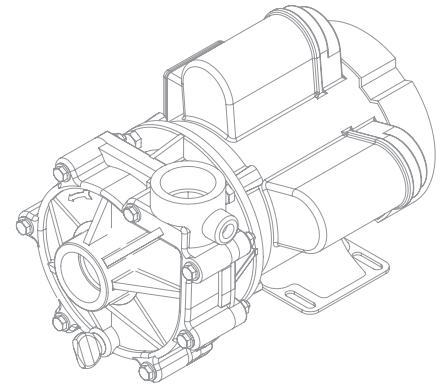


Flow At Total Dynamic Head	2'	4'	6'	8'	10'
GPM	62	54	45	36	25
GPH	3720	3240	2700	2160	1500

MODEL	4200SEQ12
INLET	2"
DISCHARGE	1.5"
MAX FLOW (gph)	4200
MAX HEAD (feet)	12'
MAX POWER (watts)	154
MAX CURRENT (amps)	1.39
@ (volts)	115
MOTOR HP	1/8
MOTOR ENCLOSURE	TEFC
IMPELLER	9



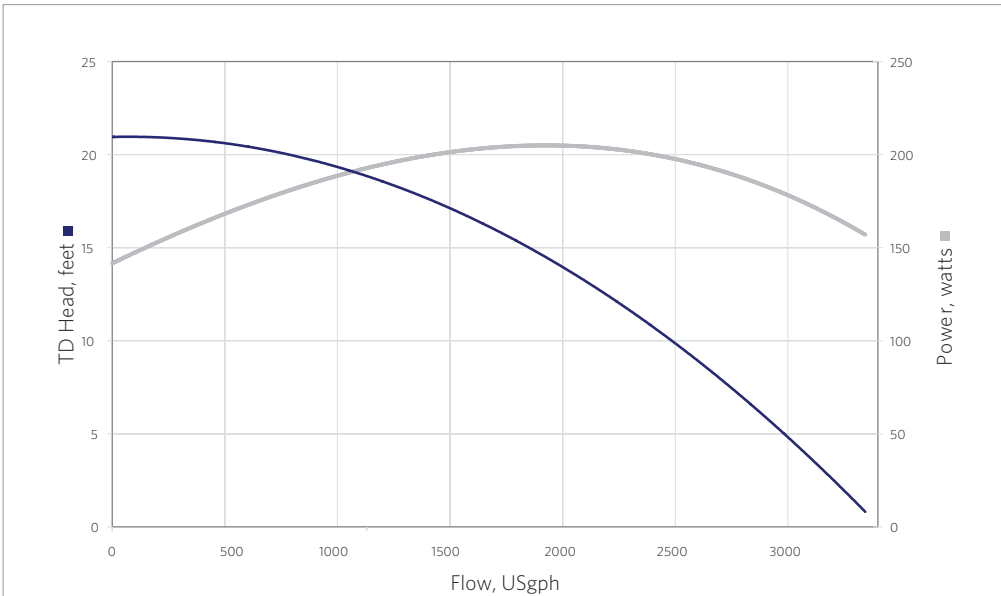




\*Dimensions and illustrations are approximate and for reference only.

**Sequence® 1000 Series - Model 3300SEQ21**

The Classic. The 1000 series has set the standard by which all others are measured. Perfect blend of medium pressure and ample flow for the majority of ponds.



Flow At Total Dynamic Head	4'	8'	12'	16'	20'
GPM	51	45	38	28	13
GPH	3060	2700	2280	1680	780



**5 YEAR LIMITED WARRANTY**



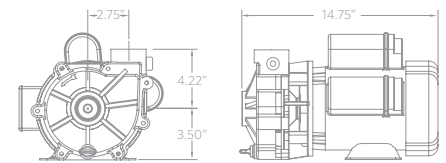
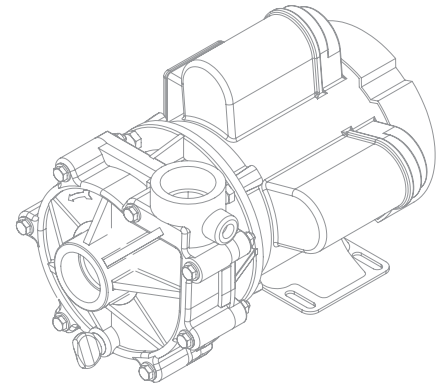
**8 FOOT CORD SET**



**TEFC FAN COOLED MOTOR**

MODEL	3300SEQ21
INLET	1.5"
DISCHARGE	1.5"
MAX FLOW (gph)	3300
MAX HEAD (feet)	21'
MAX POWER (watts)	206
MAX CURRENT (amps)	2.36
@ (volts)	115/230
MOTOR HP	1/3, 1/4, 1/6, 1/8
MOTOR TYPE	56J
MOTOR ENCLOSURE	TEFC
IMPELLER	4

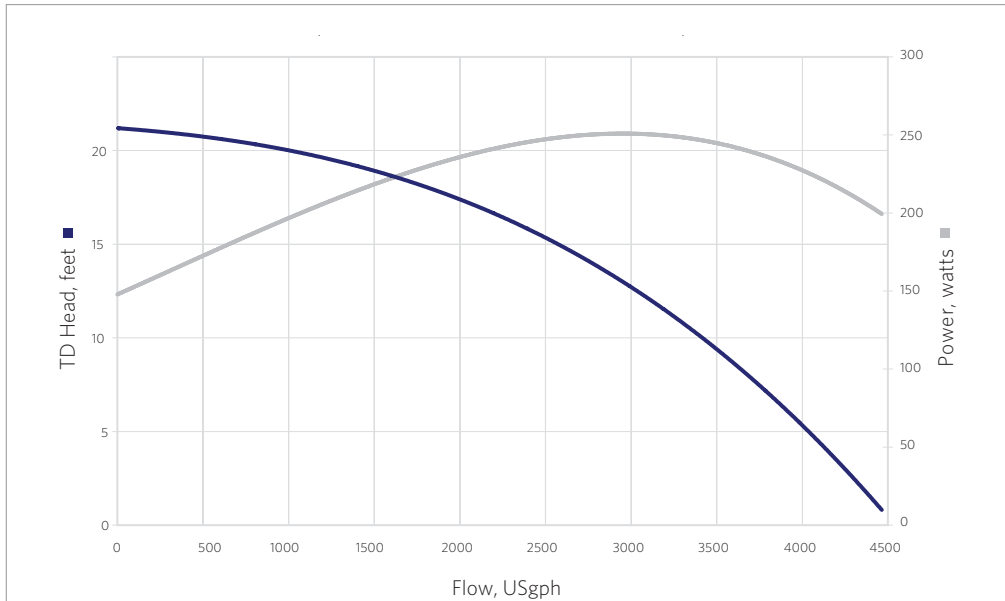




\*Dimensions and illustrations are approximate and for reference only.

**Sequence® 1000 Series - Model 4500SEQ21**

The Classic. The 1000 series has set the standard by which all others are measured. Perfect blend of medium pressure and ample flow for the majority of ponds.



Flow At Total Dynamic Head	4'	8'	12'	16'	20'
GPM	69	61	53	40	17
GPH	4140	3660	3180	2400	1020



5 YEAR LIMITED WARRANTY



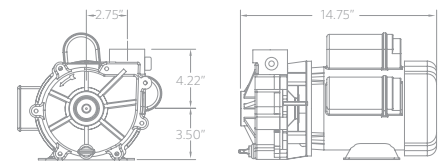
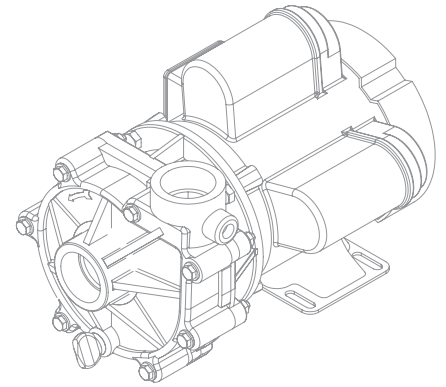
8 FOOT CORD SET



TEFC FAN COOLED MOTOR

MODEL	4500SEQ21
INLET	1.5"
DISCHARGE	1.5"
MAX FLOW (gph)	4500
MAX HEAD (feet)	21'
MAX POWER (watts)	250
MAX CURRENT (amps)	2.69
@ (volts)	115/230
MOTOR HP	1/3, 1/4, 1/6, 1/8
MOTOR TYPE	56J
MOTOR ENCLOSURE	TEFC
IMPELLER	5

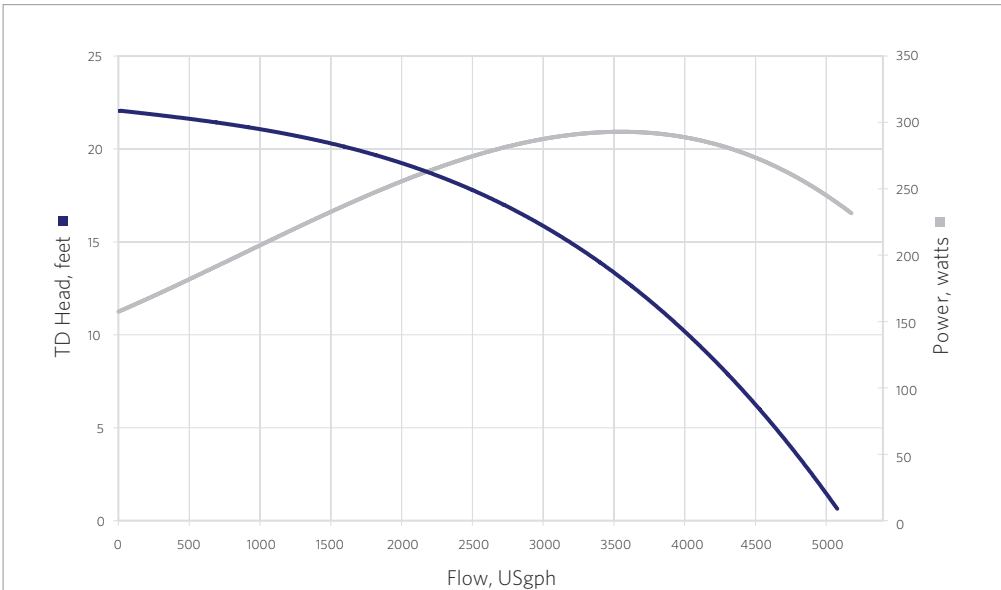




\*Dimensions and illustrations are approximate and for reference only.

**Sequence® 1000 Series - Model 5100SEQ22**

The Classic. The 1000 series has set the standard by which all others are measured. Perfect blend of medium pressure and ample flow for the majority of ponds.



Flow At Total Dynamic Head	4'	8'	12'	16'	20'
GPM	79	71	63	50	28
GPH	4740	4260	3780	3000	1680



5 YEAR LIMITED WARRANTY



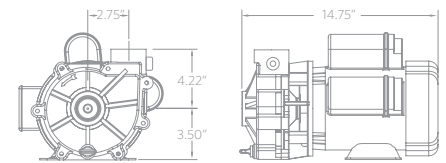
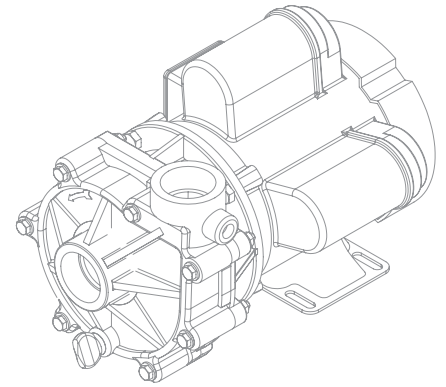
8 FOOT CORD SET



TEFC FAN COOLED MOTOR

MODEL	5100SEQ22
INLET	1.5"
DISCHARGE	1.5"
MAX FLOW (gph)	5100
MAX HEAD (feet)	22'
MAX POWER (watts)	293
MAX CURRENT (amps)	3.03
@ (volts)	115/230
MOTOR HP	1/3, 1/4, 1/6, 1/8
MOTOR TYPE	56J
MOTOR ENCLOSURE	TEFC
IMPELLER	6

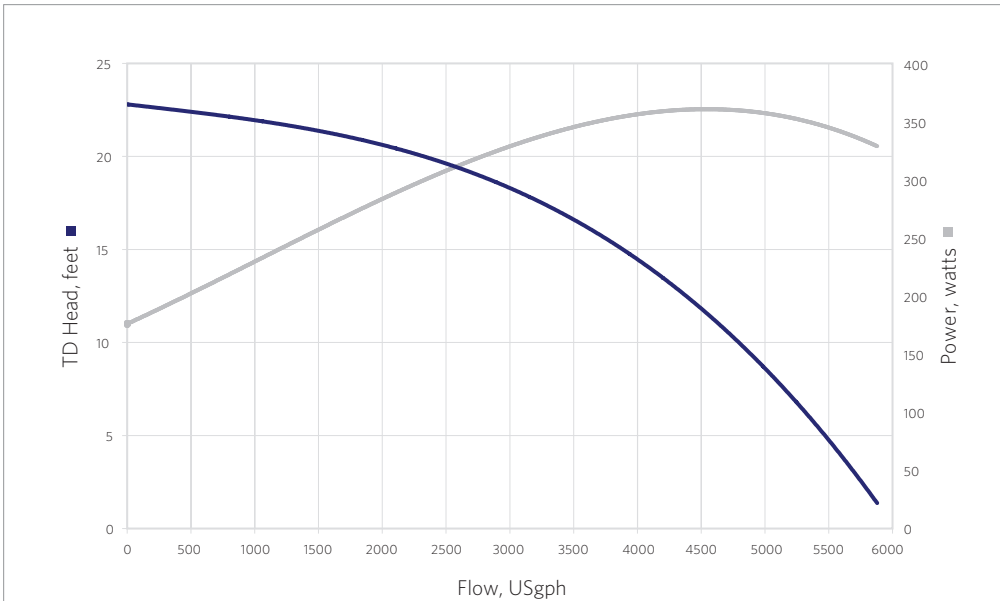




\*Dimensions and illustrations are approximate and for reference only.

**Sequence® 1000 Series - Model 6100SEQ23**

The Classic. The 1000 series has set the standard by which all others are measured. Perfect blend of medium pressure and ample flow for the majority of ponds.



Flow At Total Dynamic Head	4'	8'	12'	16'	20'
GPM	93	85	75	60	40
GPH	5580	5100	4500	3600	2400



5 YEAR LIMITED WARRANTY



8 FOOT CORD SET

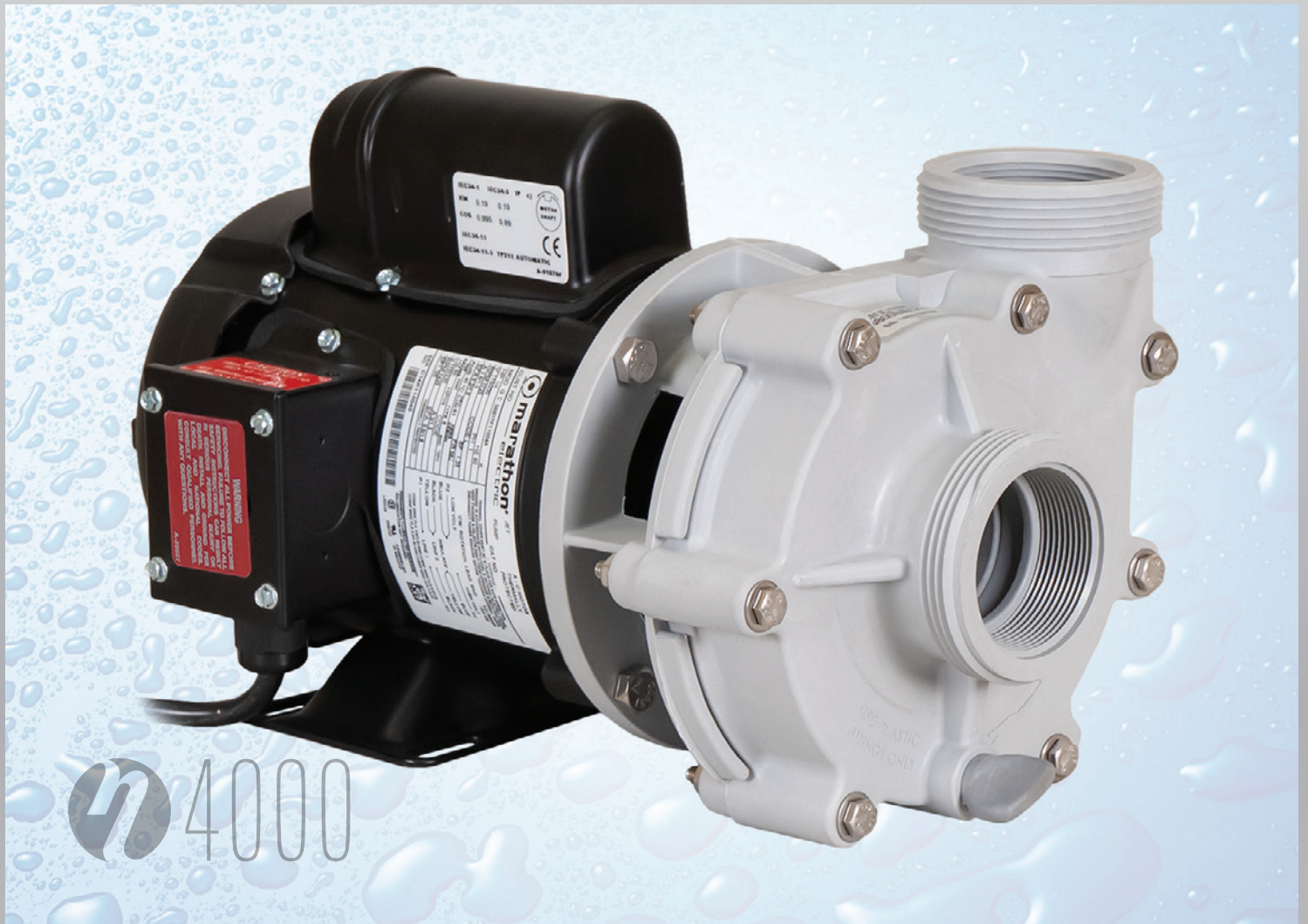


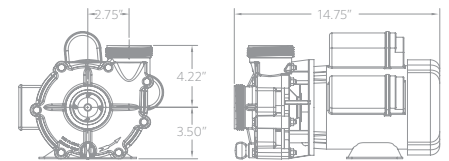
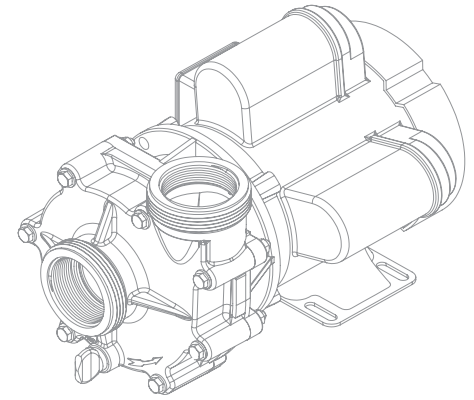
TEFC FAN COOLED MOTOR

MODEL	6100SEQ23
INLET	1.5"
DISCHARGE	1.5"
MAX FLOW (gph)	6100
MAX HEAD (feet)	23'
MAX POWER (watts)	366
MAX CURRENT (amps)	3.03
@ (volts)	115/230
MOTOR HP	1/3, 1/4, 1/6, 1/8
MOTOR TYPE	56J
MOTOR ENCLOSURE	TEFC
IMPELLER	7





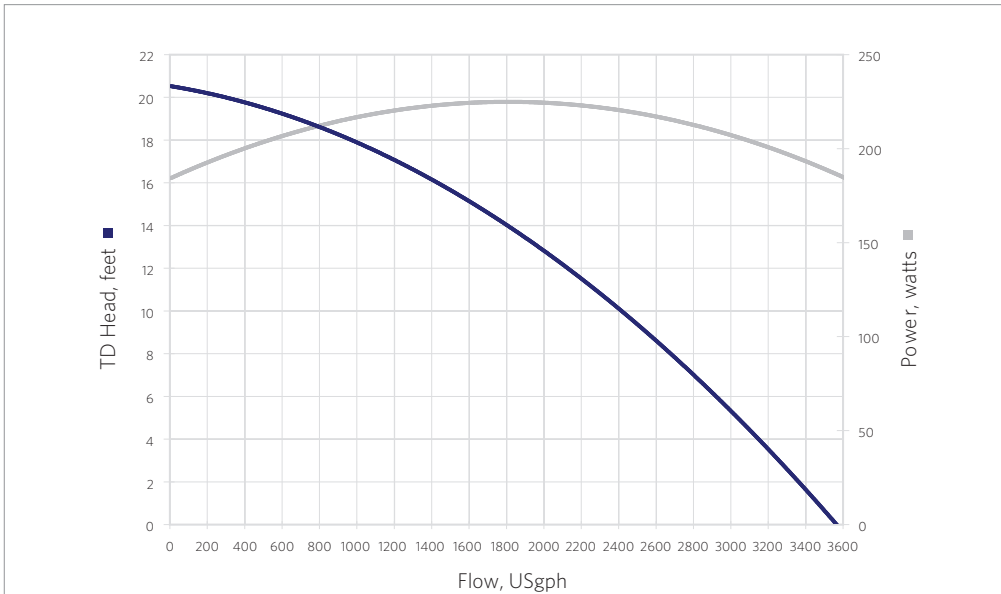




\*Dimensions and illustrations are approximate and for reference only.

**Sequence® 4000 Series - Model 3600SEQ20**

The expansive design meets today's increased market demand for performance on all levels. Peak performance of 3600 Gallons Per Hour while only requiring 227 Watts.



Flow At Total Dynamic Head	4'	8'	12'	16'	20'
GPM	52	44	35	24	4
GPH	3120	2640	2100	1440	240



5 YEAR LIMITED WARRANTY



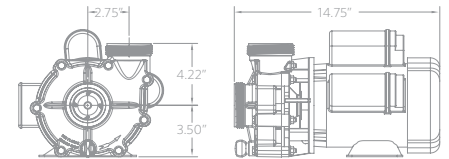
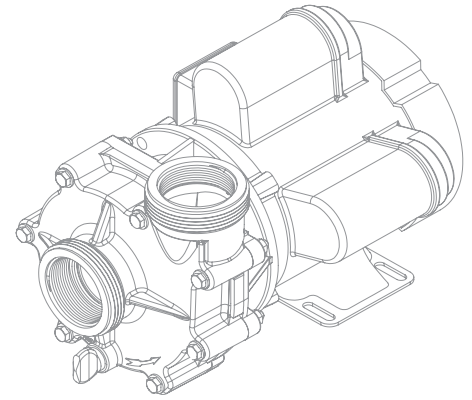
8 FOOT CORD SET



TEFC FAN COOLED MOTOR

MODEL	3600SEQ20
INLET	2"
DISCHARGE	2"
MAX FLOW (gph)	3600
MAX HEAD (feet)	20.5'
MAX POWER (watts)	227
MAX CURRENT (amps)	1.9
@ (volts)	115
MOTOR HP	1/3
MOTOR TYPE	56J
MOTOR ENCLOSURE	TEFC
IMPELLER	4





\*Dimensions and illustrations are approximate and for reference only.

**Sequence® 4000 Series - Model 5000SEQ20**

The expansive design meets today's increased market demand for performance on all levels. Peak performance of 5000 Gallons Per Hour while only requiring 263 Watts.



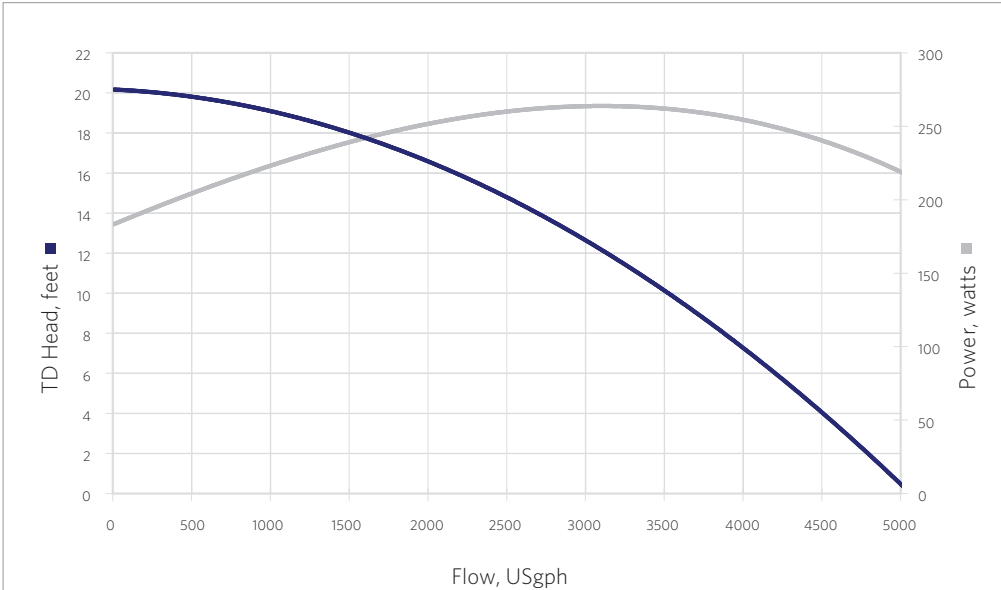
5 YEAR LIMITED WARRANTY



8 FOOT CORD SET



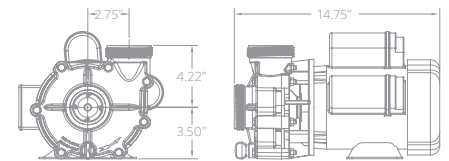
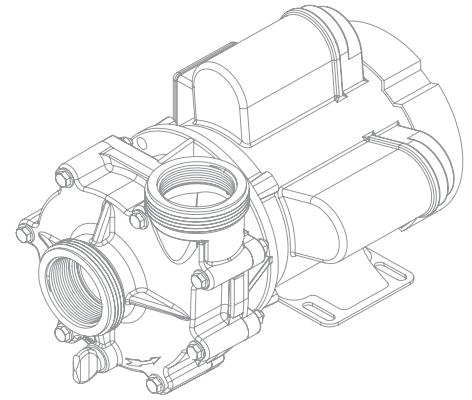
TEFC FAN COOLED MOTOR



Flow At Total Dynamic Head	4'	8'	12'	16'	20'
GPM	75	64	52	36	2
GPH	4500	3840	3120	2160	120

MODEL	5000SEQ20
INLET	2"
DISCHARGE	2"
MAX FLOW (gph)	5000
MAX HEAD (feet)	20.2'
MAX POWER (watts)	263
MAX CURRENT (amps)	2.3
@ (volts)	115
MOTOR HP	1/3
MOTOR TYPE	56J
MOTOR ENCLOSURE	TEFC
IMPELLER	5

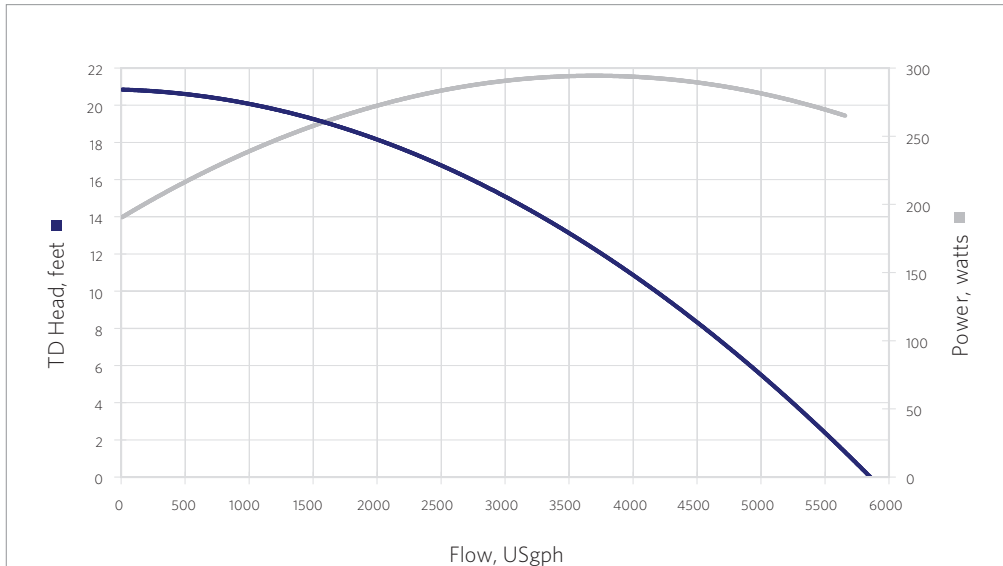




\*Dimensions and illustrations are approximate and for reference only.

**Sequence® 4000 Series - Model 5800SEQ21**

The expansive design meets today's increased market demand for performance on all levels. Peak performance of 5800 Gallons Per Hour while only requiring 296 Watts.



Flow At Total Dynamic Head	4'	8'	12'	16'	20'
GPM	87	75	62	46	16
GPH	5220	4500	3720	2760	960



5 YEAR LIMITED WARRANTY



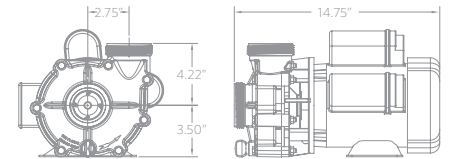
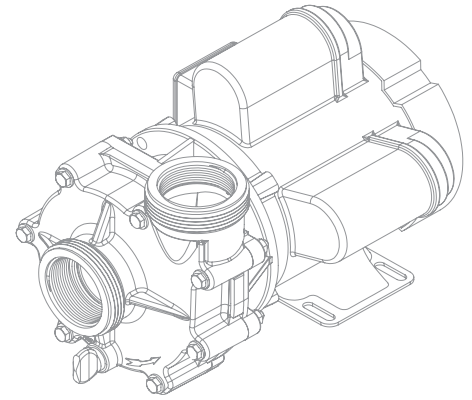
8 FOOT CORD SET



TEFC FAN COOLED MOTOR

MODEL	5800SEQ21
INLET	2"
DISCHARGE	2"
MAX FLOW (gph)	5800
MAX HEAD (feet)	21'
MAX POWER (watts)	296
MAX CURRENT (amps)	2.6
@ (volts)	115
MOTOR HP	1/3
MOTOR TYPE	56J
MOTOR ENCLOSURE	TEFC
IMPELLER	6

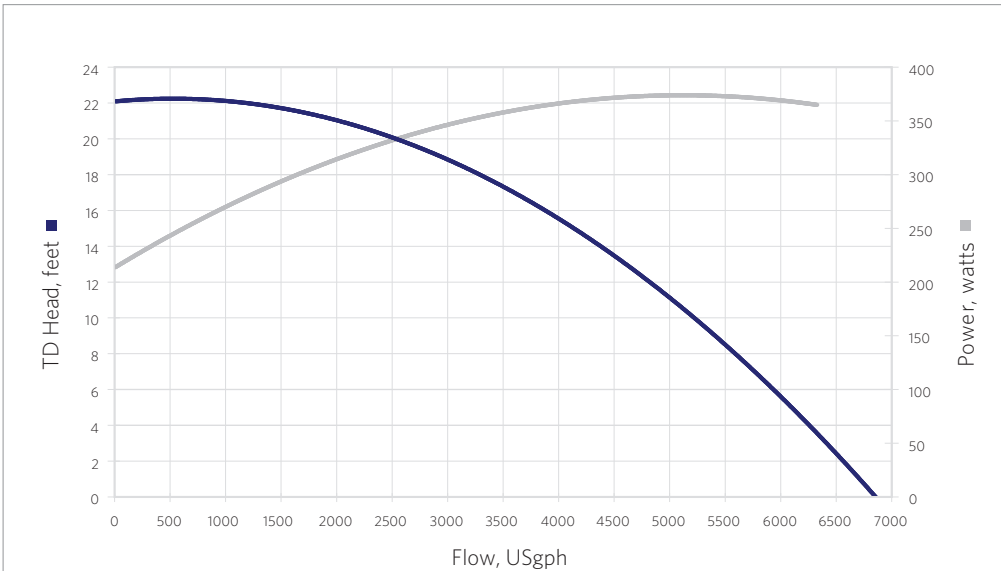




\*Dimensions and illustrations are approximate and for reference only.

**Sequence® 4000 Series - Model 6800SEQ22**

The expansive design meets today's increased market demand for performance on all levels. Peak performance of 6840 Gallons Per Hour while only requiring 376 Watts.



Flow At Total Dynamic Head	4'	8'	12'	16'	20'
GPM	104	93	80	64	42
GPH	6240	5580	4800	3840	2520



5 YEAR LIMITED WARRANTY



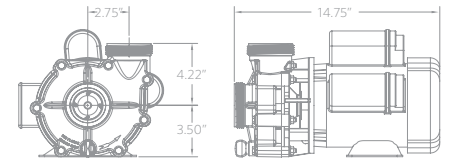
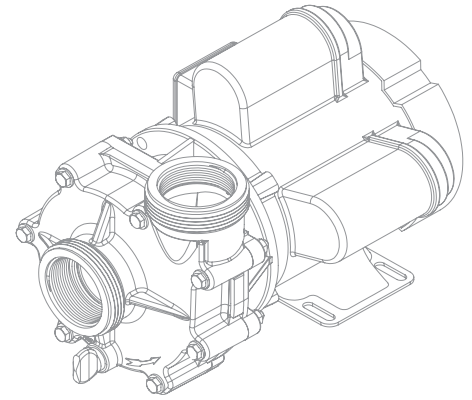
8 FOOT CORD SET



TEFC FAN COOLED MOTOR

MODEL	6800SEQ22
INLET	2"
DISCHARGE	2"
MAX FLOW (gph)	6840
MAX HEAD (feet)	22.2'
MAX POWER (watts)	376
MAX CURRENT (amps)	3.4
@ (volts)	115
MOTOR HP	½
MOTOR TYPE	56J
MOTOR ENCLOSURE	TEFC
IMPELLER	7





\*Dimensions and illustrations are approximate and for reference only.

**Sequence® 4000 Series - Model 8200SEQ22**

The expansive design meets today's increased market demand for performance on all levels. Peak performance of 8220 Gallons Per Hour while only requiring 450 Watts.



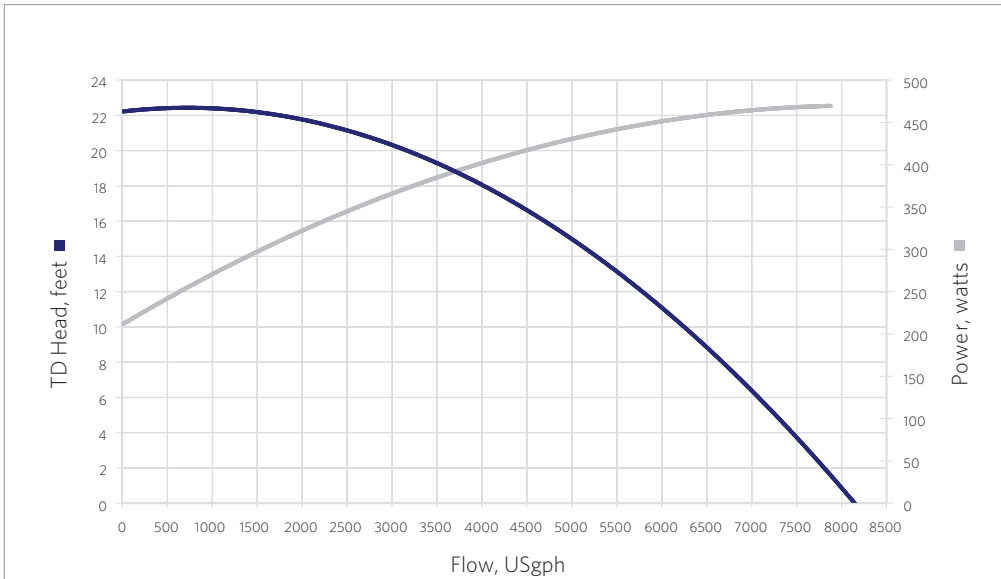
5 YEAR LIMITED WARRANTY



8 FOOT CORD SET



TEFC FAN COOLED MOTOR

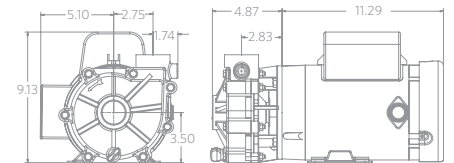
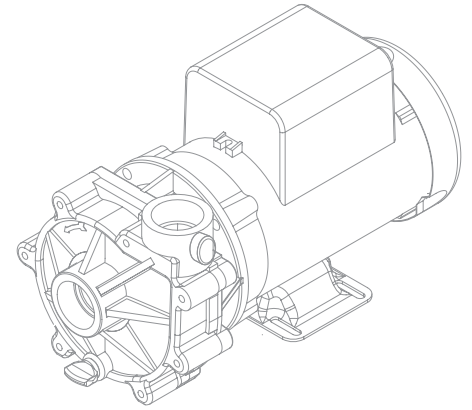


Flow At Total Dynamic Head	4'	8'	12'	16'	20'
GPM	125	112	96	78	52
GPH	7500	6720	5760	4680	3120

MODEL	8200SEQ22
INLET	2"
DISCHARGE	2"
MAX FLOW (gph)	8220
MAX HEAD (feet)	22.3'
MAX POWER (watts)	450
MAX CURRENT (amps)	4
@ (volts)	115
MOTOR HP	½
MOTOR TYPE	56J
MOTOR ENCLOSURE	TEFC
IMPELLER	8



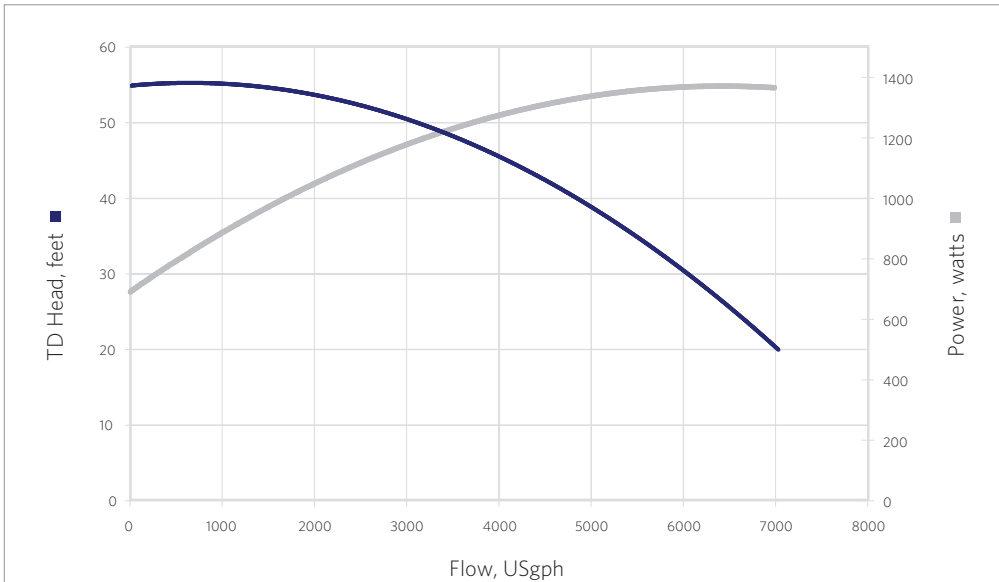




\*Dimensions and illustrations are approximate and for reference only.

**Sequence® Power 1000 Series - Model 8500PWR55**

For the application that demands high performance, we offer the Sequence® Power 1000 Series with abundant flow and pressure. The Power 1000 puts the horsepower and efficiency into the pressure side of the performance requirement but maintains flow rates that will meet the most challenging of scenarios.



Flow At Total Dynamic Head	10'	20'	30'	40'	50'
GPM	130	118	100	80	53
GPH	7800	7080	6000	4800	3180



5 YEAR LIMITED WARRANTY



8 FOOT CORD SET

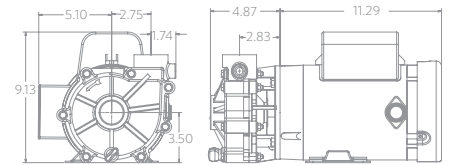
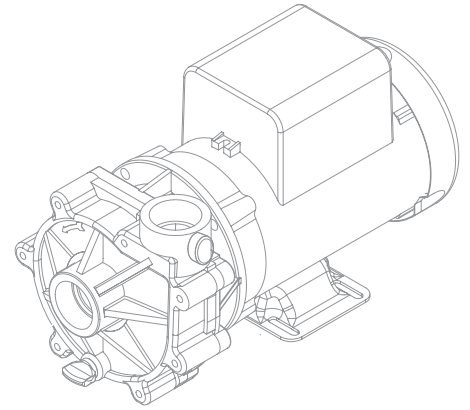


TEFC FAN COOLED MOTOR

MODEL	8500PWR55
INLET	1.5"
DISCHARGE	1.5"
MAX FLOW (gph)	8500
MAX HEAD (feet)	55'
MAX POWER (watts)	1385
MAX CURRENT (amps)	5.38
@ (volts)	230
MOTOR HP	1.5
MOTOR TYPE	56J
MOTOR ENCLOSURE	TEFC
IMPELLER	6T-3.85"



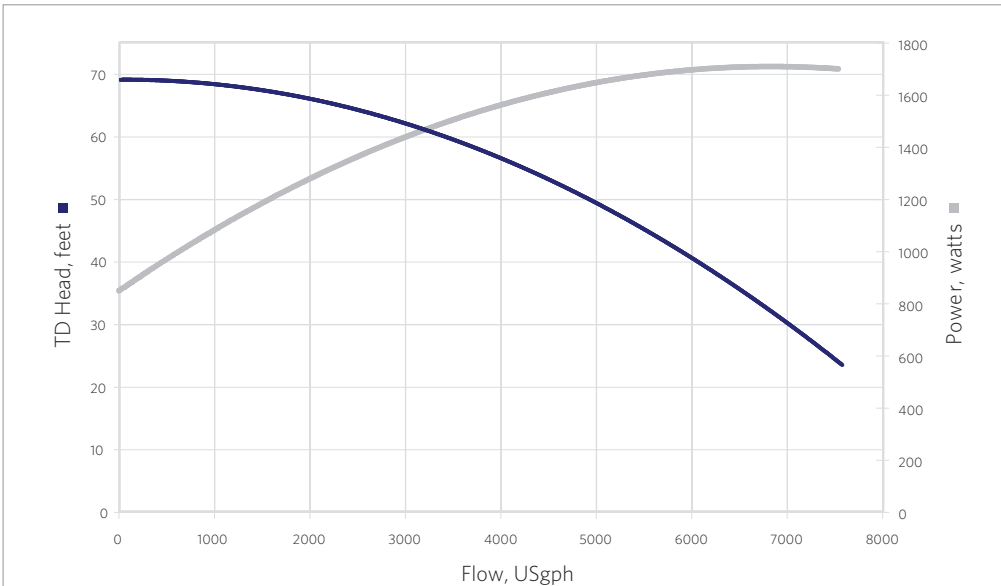




\*Dimensions and illustrations are approximate and for reference only.

**Sequence® Power 1000 Series - Model 9200PWR69**

For the application that demands high performance, we offer the Sequence® Power 1000 Series with abundant flow and pressure. The Power 1000 puts the horsepower and efficiency into the pressure side of the performance requirement but maintains flow rates that will meet the most challenging of scenarios.



Flow At Total Dynamic Head	10'	20'	30'	40'	50'
GPM	143	130	117	100	81
GPH	8580	7800	7020	6000	4860



**5 YEAR LIMITED WARRANTY**



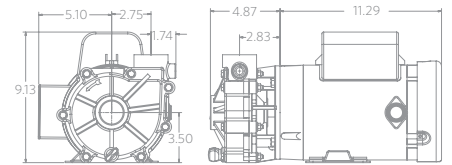
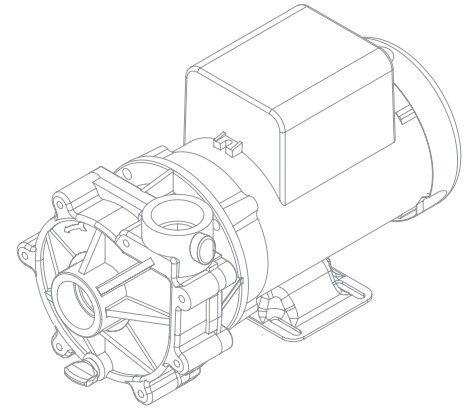
**8 FOOT CORD SET**



**TEFC FAN COOLED MOTOR**

MODEL	9200PWR69
INLET	1.5"
DISCHARGE	1.5"
MAX FLOW (gph)	9200
MAX HEAD (feet)	69'
MAX POWER (watts)	1744
MAX CURRENT (amps)	6.82
@ (volts)	230
MOTOR HP	1.5
MOTOR TYPE	56J
MOTOR ENCLOSURE	TEFC
IMPELLER	6T- 4.25"

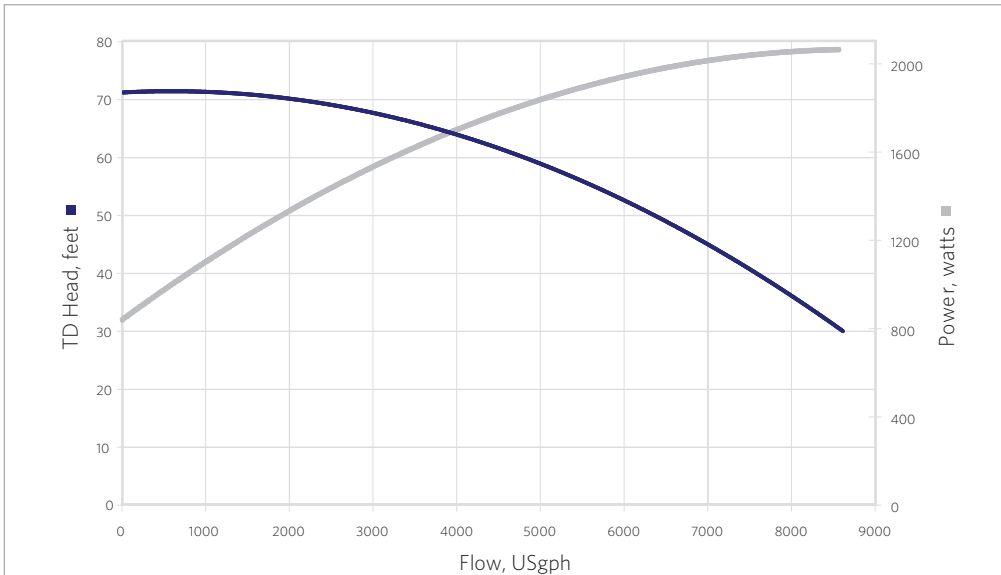




\*Dimensions and illustrations are approximate and for reference only.

**Sequence® Power 1000 Series - Model 11000PWR72**

For the application that demands high performance, we offer the Sequence® Power 1000 Series with abundant flow and pressure. The Power 1000 puts the horsepower and efficiency into the pressure side of the performance requirement but maintains flow rates that will meet the most challenging of scenarios.



Flow At Total Dynamic Head	10'	20'	30'	40'	50'
GPM	173	159	144	125	105
GPH	10380	9540	8640	7500	6300



**5 YEAR LIMITED WARRANTY**



**8 FOOT CORD SET**

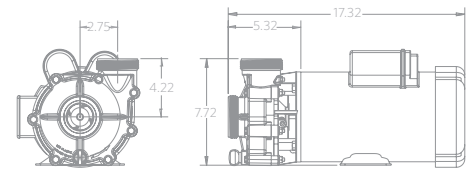
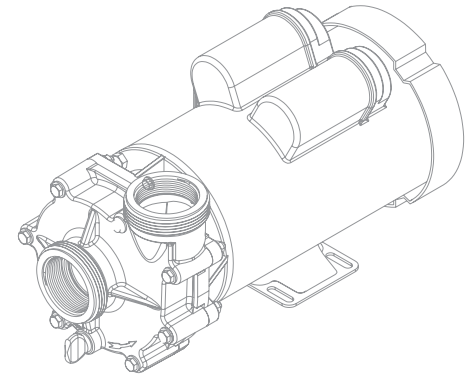


**TEFC FAN COOLED MOTOR**

MODEL	11000PWR72
INLET	1.5"
DISCHARGE	1.5"
MAX FLOW (gph)	11000
MAX HEAD (feet)	72'
MAX POWER (watts)	2056
MAX CURRENT (amps)	8.58
@ (volts)	230
MOTOR HP	2
MOTOR TYPE	56J
MOTOR ENCLOSURE	TEFC
IMPELLER	7T- 4.21"



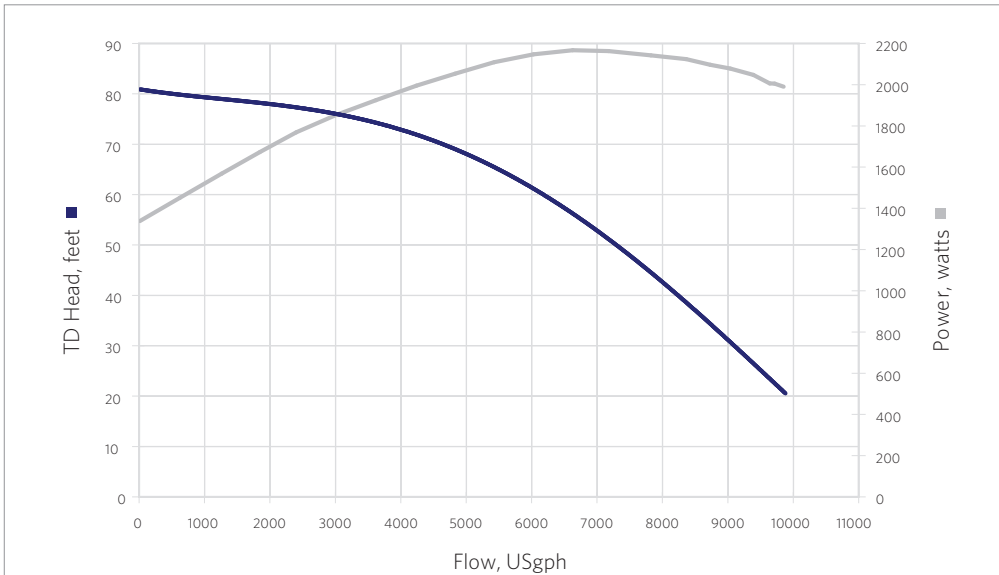




\*Dimensions and illustrations are approximate and for reference only.

**Sequence® Power 4000 Series - Model 11200PWR81**

To support recirculation applications requiring flow rates above 8000 GPH at high head pressures. Achieving over 13,000 GPH and a max of 80 feet of head, the 4000 broadens the performance range in the Sequence Power series.



Flow At Total Dynamic Head	40'	50'	60'	70'	75'
GPM	138	122	102	75	53
GPH	8280	7320	6120	4500	3180



**5 YEAR LIMITED WARRANTY**

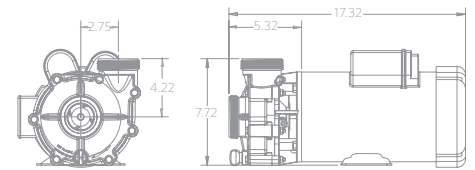
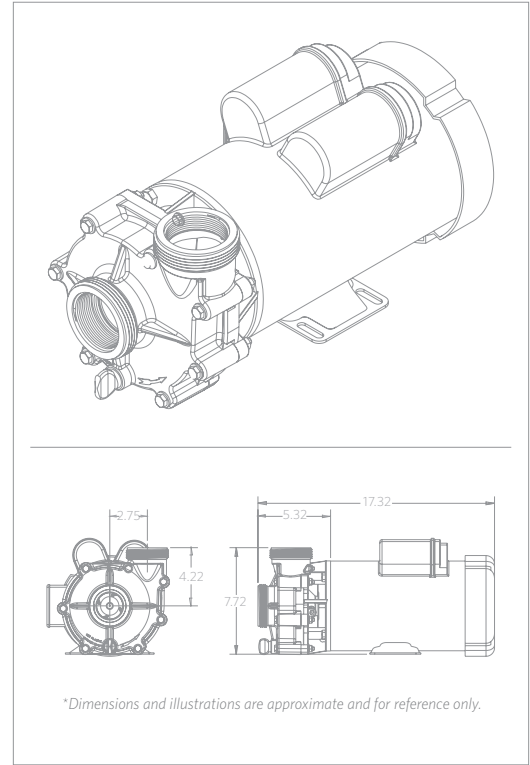


**8 FOOT CORD SET**



**TEFC FAN COOLED MOTOR**

MODEL	11200PWR81
INLET	2"
DISCHARGE	2"
MAX FLOW (gph)	11160
MAX HEAD (feet)	80.8'
MAX POWER (watts)	2162
MAX CURRENT (amps)	9.6
@ (volts)	230
MOTOR HP	3
MOTOR TYPE	56J
MOTOR ENCLOSURE	TEFC
IMPELLER	6



\*Dimensions and illustrations are approximate and for reference only.

**Sequence® Power 4000 Series - Model 13200PWR81**

To support recirculation applications requiring flow rates above 8000 GPH at high head pressures. Achieving over 13,000 GPH and a max of 80 feet of head, the 4000 broadens the performance range in the Sequence Power series.



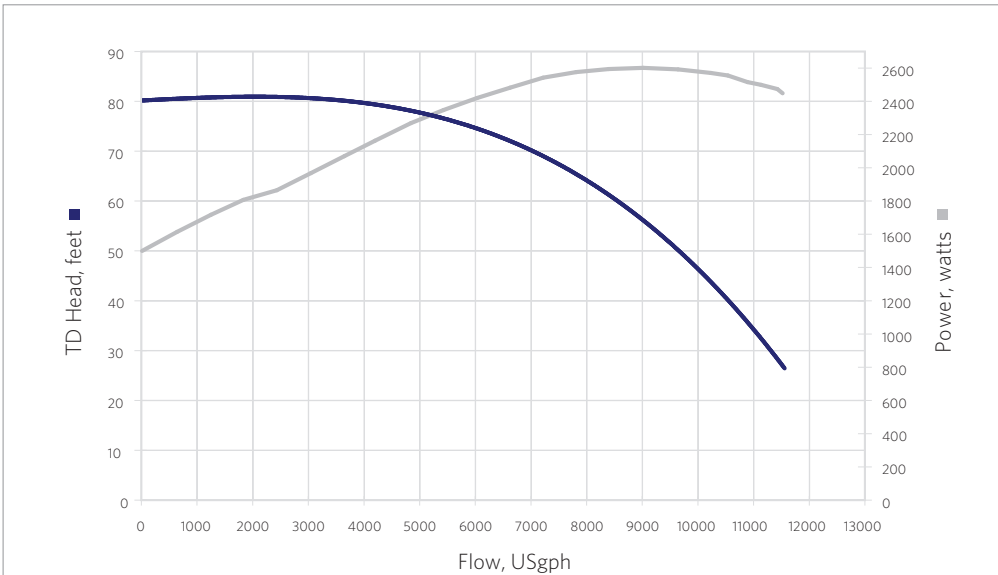
5 YEAR LIMITED WARRANTY



8 FOOT CORD SET



TEFC FAN COOLED MOTOR

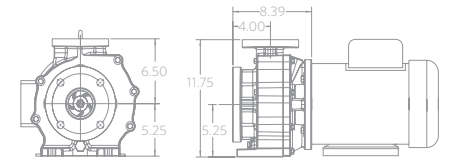
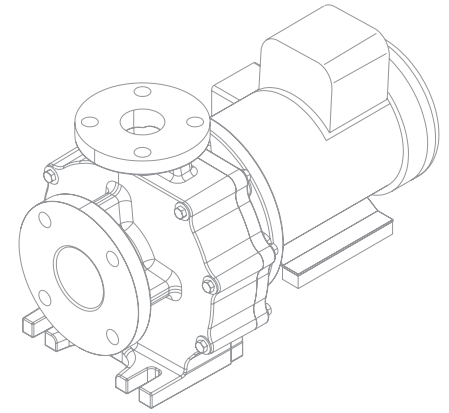


Flow At Total Dynamic Head	40'	50'	60'	70'	75'
GPM	175	160	141	117	60
GPH	10500	9600	8600	5500	3600

MODEL	13200PWR81
INLET	2"
DISCHARGE	2"
MAX FLOW (gph)	13200
MAX HEAD (feet)	81.7'
MAX POWER (watts)	2595
MAX CURRENT (amps)	11.5
@ (volts)	230
MOTOR HP	3
MOTOR TYPE	56J
MOTOR ENCLOSURE	TEFC
IMPELLER	7



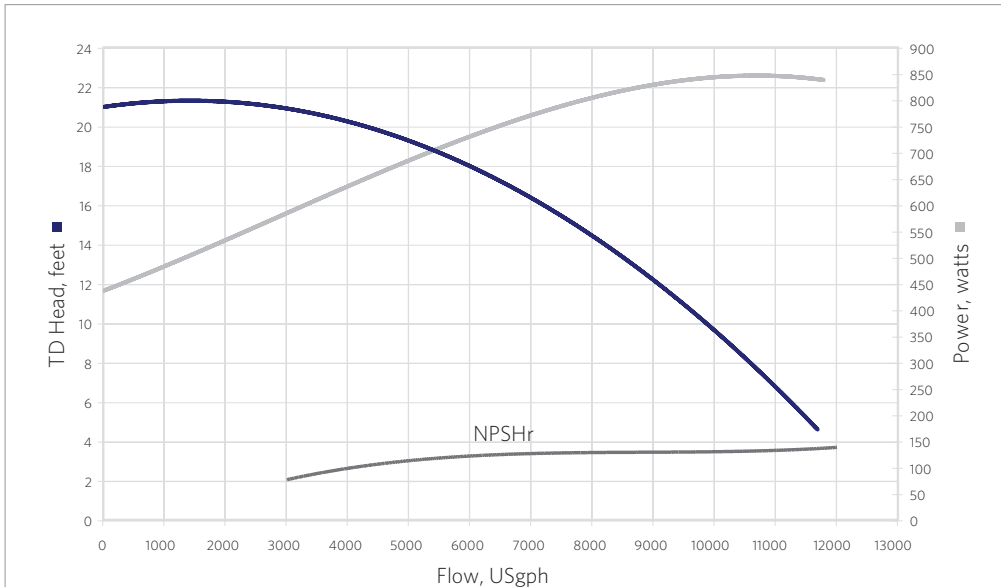




\*Dimensions and illustrations are approximate and for reference only

**Sequence® Titan Series - Model 12000SEQ21**

As large water features and high turnover requirements continue to gain popularity, the cost of energy does not. Imagine 12,000 GPH for less than 845 watts. The Sequence® Titan series is sure to cover most large scale water feature requirements.



Flow At Total Dynamic Head	4'	8'	12'	16'	20'
GPM	197	176	164	120	70
GPH	11820	10560	9840	7200	4200



**5 YEAR LIMITED WARRANTY**



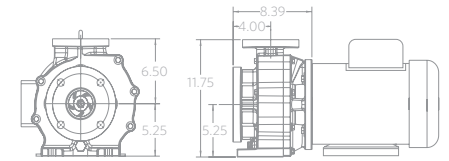
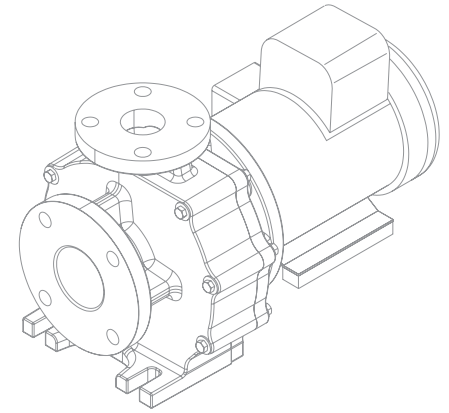
**MANUFACTURED IN THE USA**



**TEFC FAN COOLED MOTOR**

MODEL	12000SEQ21
INLET	3"
DISCHARGE	2"
MAX FLOW (gph)	12500
MAX HEAD (feet)	21'
MAX POWER (watts)	845
MAX CURRENT AMPS @ 115V	9.6
MAX CURRENT AMPS @ 230V	6
MOTOR HP	3/4
MOTOR TYPE	143JM
MOTOR ENCLOSURE	TEFC
PHASE	SINGLE

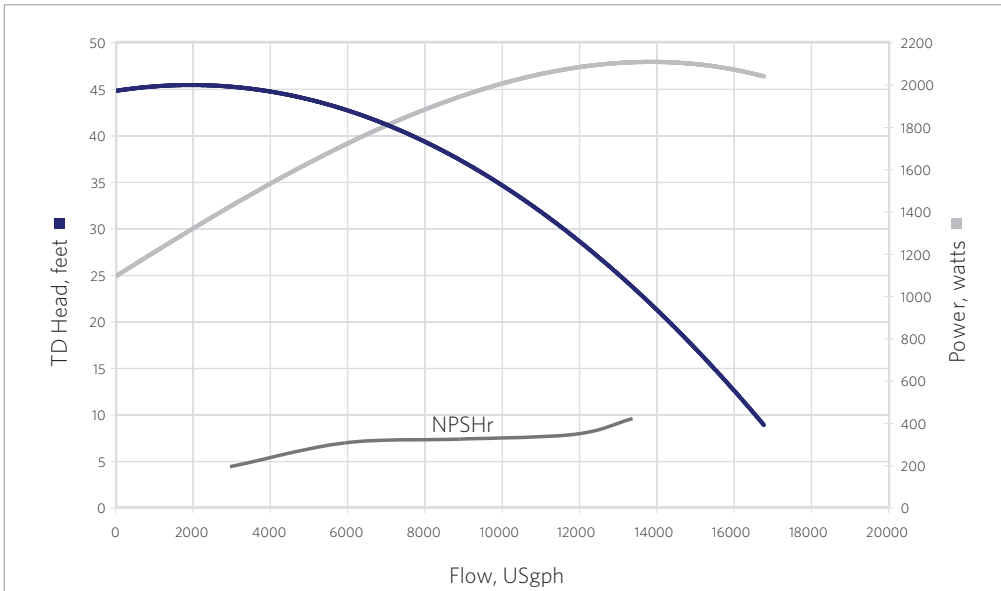




\*Dimensions and illustrations are approximate and for reference only

**Sequence® Titan Series - Model 18000SEQ45**

As large water features and high turnover requirements continue to gain popularity, the cost of energy does not. The Sequence® Titan series is sure to cover most large scale water feature requirements.



Flow At Total Dynamic Head	10'	20'	30'	40'	45'
GPM	275	238	192	125	60
GPH	16500	14280	11520	7500	3600



**5 YEAR LIMITED WARRANTY**



**MANUFACTURED IN THE USA**



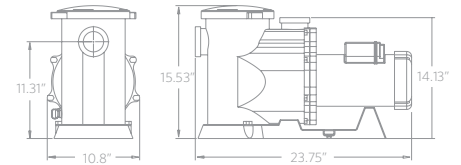
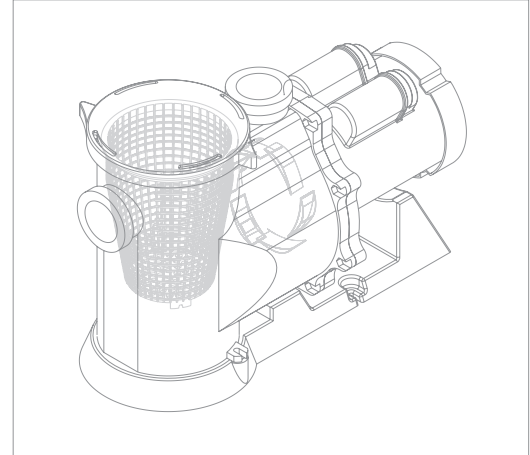
**TEFC FAN COOLED MOTOR**

MODEL	18000SEQ45
INLET	3"
DISCHARGE	2"
MAX FLOW (gph)	18400
MAX HEAD (feet)	45'
MAX POWER (watts)	2110
MAX CURRENT AMPS @ 115V	27.1
MAX CURRENT AMPS @ 230V	10.8
MOTOR HP	3
MOTOR TYPE	184JM
MOTOR ENCLOSURE	TEFC
PHASE	SINGLE









*\*Dimensions and illustrations are approximate and for reference only*

**Sequence® Alpha Primer Series - Model 3200PRM15**

The Alpha Primer series integrates a basket-type pre-filter and self-priming capabilities into one efficient package for trouble-free operation. The integrated strainer basket on all primer units helps protect the internal rotating parts of the pump from damage due to external debris being pulled into the pump.



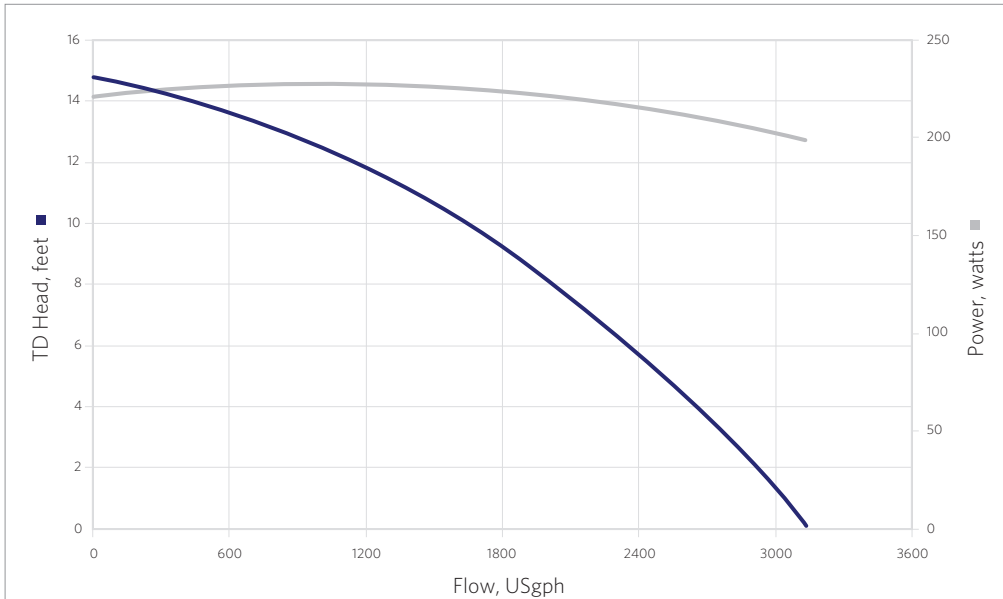
**5 YEAR LIMITED WARRANTY**



**8 FOOT CORD SET**



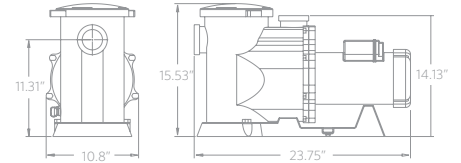
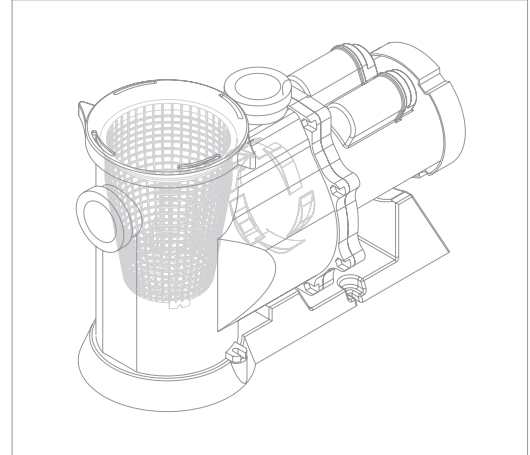
**TEFC FAN COOLED MOTOR**



Flow At Total Dynamic Head	4'	8'	10'	12'	15'
GPM	44	34	27	20	0
GPH	2640	2040	1620	1200	0

MODEL	3200PRM15
INLET	2"
DISCHARGE	2"
MAX FLOW (gph)	3200
MAX HEAD (feet)	15'
MAX POWER (watts)	228
MAX CURRENT (amps)	2.68
@ (volts)	120
MOTOR HP	½, ⅓
MOTOR TYPE	56Y
MOTOR ENCLOSURE	TEFC





\*Dimensions and illustrations are approximate and for reference only

**Sequence® Alpha Primer Series - Model 5000PRM18**

The Alpha Primer series integrates a basket-type pre-filter and self-priming capabilities into one efficient package for trouble-free operation. The integrated strainer basket on all primer units helps protect the internal rotating parts of the pump from damage due to external debris being pulled into the pump.



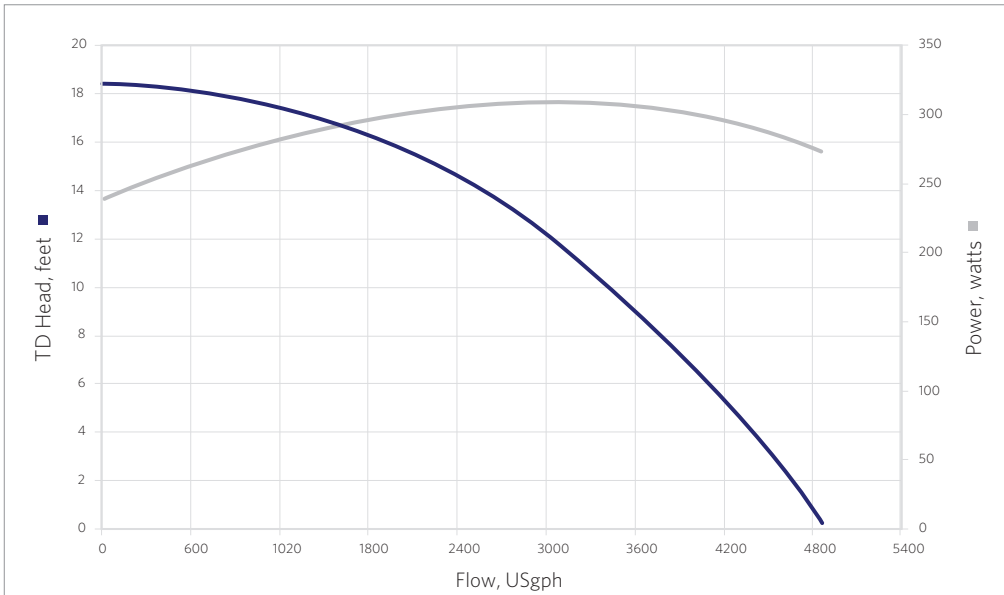
**5 YEAR LIMITED WARRANTY**



**8 FOOT CORD SET**



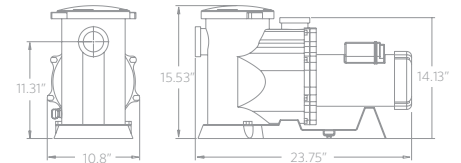
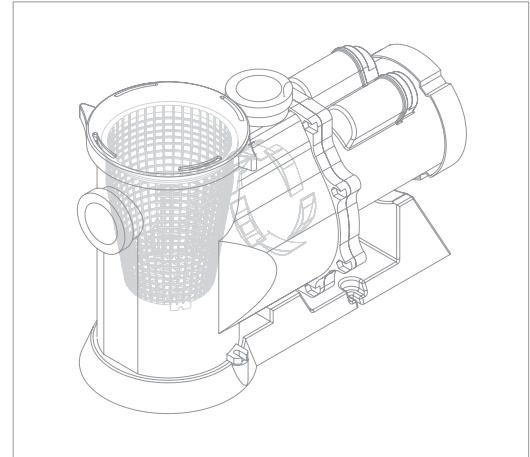
**TEFC FAN COOLED MOTOR**



Flow At Total Dynamic Head	4'	8'	12'	16'	20'
GPM	73	63	51	32	0
GPH	4380	3780	3060	1920	0

MODEL	5000PRM18
INLET	2"
DISCHARGE	2"
MAX FLOW (gph)	5000
MAX HEAD (feet)	18'
MAX POWER (watts)	310
MAX CURRENT (amps)	3.27
@ (volts)	120
MOTOR HP	½, ⅓
MOTOR TYPE	56Y
MOTOR ENCLOSURE	TEFC





*\*Dimensions and illustrations are approximate and for reference only*

**Sequence® Alpha Primer Series - Model 6800PRM19**

The Alpha Primer series integrates a basket-type pre-filter and self-priming capabilities into one efficient package for trouble-free operation. The integrated strainer basket on all primer units helps protect the internal rotating parts of the pump from damage due to external debris being pulled into the pump.



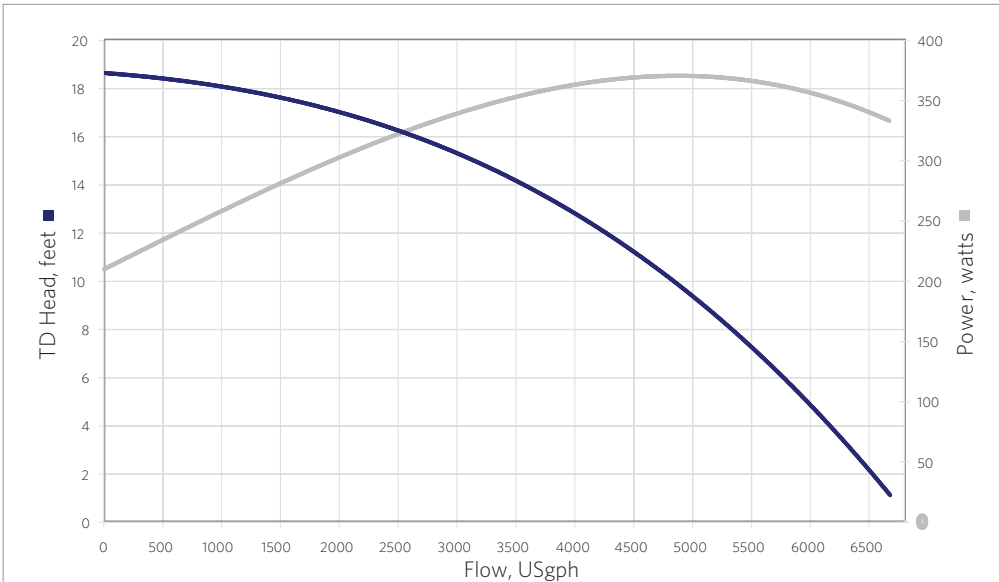
**5 YEAR LIMITED WARRANTY**



**8 FOOT CORD SET**



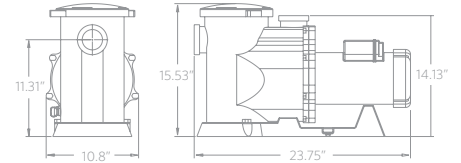
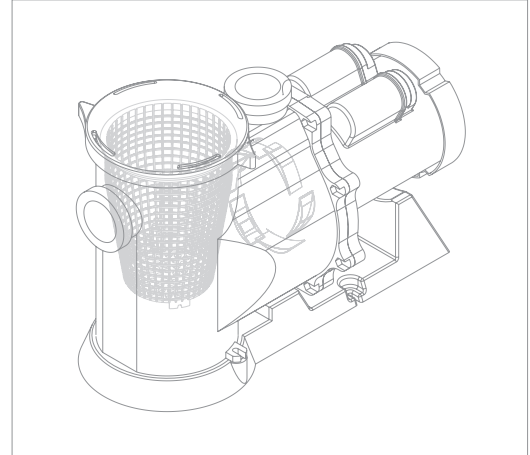
**TEFC FAN COOLED MOTOR**



Flow At Total Dynamic Head	4'	8'	12'	16'	20'
GPM	103	89	70	45	0
GPH	6180	5340	4200	2700	0

MODEL	6800PRM19
INLET	2"
DISCHARGE	2"
MAX FLOW (gph)	6800
MAX HEAD (feet)	19'
MAX POWER (watts)	369
MAX CURRENT (amps)	3.93
@ (volts)	115
MOTOR HP	½, ⅓
MOTOR TYPE	56Y
MOTOR ENCLOSURE	TEFC





*\*Dimensions and illustrations are approximate and for reference only*

**Sequence® Alpha Primer Series - Model 7800PRM24**

The Alpha Primer series integrates a basket-type pre-filter and self-priming capabilities into one efficient package for trouble-free operation. The integrated strainer basket on all primer units helps protect the internal rotating parts of the pump from damage due to external debris being pulled into the pump.



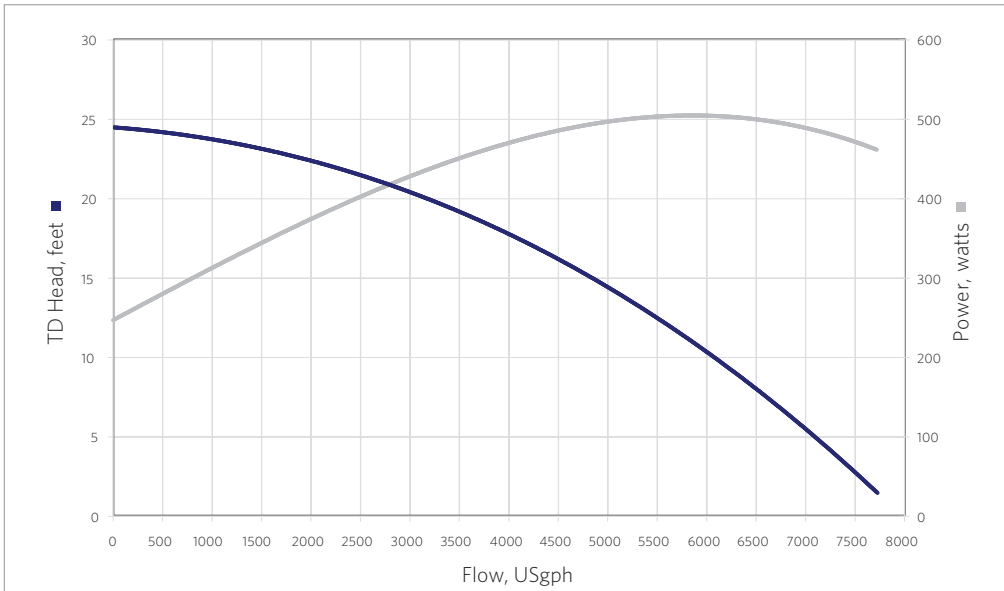
**5 YEAR LIMITED WARRANTY**



**8 FOOT CORD SET**



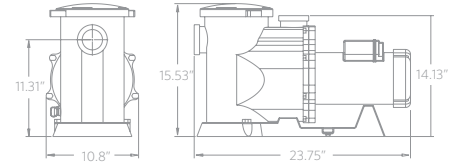
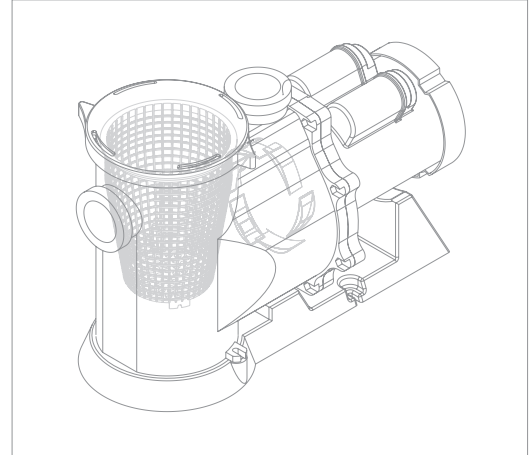
**TEFC FAN COOLED MOTOR**



Flow At Total Dynamic Head	4'	8'	12'	16'	20'
GPM	121	108	94	75	54
GPH	7260	6480	5640	4500	3240

MODEL	7800PRM24
INLET	2"
DISCHARGE	2"
MAX FLOW (gph)	7800
MAX HEAD (feet)	24'
MAX POWER (watts)	504
MAX CURRENT (amps)	5.02
@ (volts)	115
MOTOR HP	½, ⅓
MOTOR TYPE	56Y
MOTOR ENCLOSURE	TEFC





*\*Dimensions and illustrations are approximate and for reference only*

**Sequence® High-Speed Alpha Primer Series - Model 6000PRM60**

The Alpha Primer series integrates a basket-type pre-filter and self-priming capabilities into one efficient package for trouble-free operation. The integrated strainer basket on all primer units helps protect the internal rotating parts of the pump from damage due to external debris being pulled into the pump.



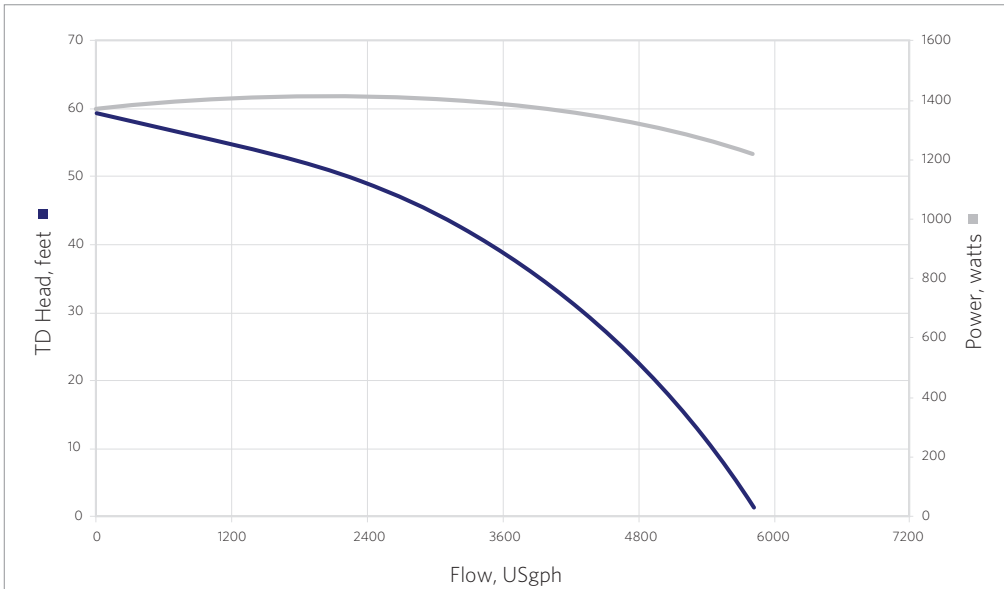
**5 YEAR LIMITED WARRANTY**



**8 FOOT CORD SET**



**ODP MOTOR**



Flow At Total Dynamic Head	5'	15'	30'	45'	60'
GPM	92	88	72	50	0
GPH	5520	5280	4320	3000	0

MODEL	6000PRM60
INLET	2"
DISCHARGE	2"
MAX FLOW (gph)	6000
MAX HEAD (feet)	60'
MAX POWER (watts)	1418
MAX CURRENT (amps)	8.74
@ (volts)	230
MOTOR HP	2
MOTOR TYPE	56Y
MOTOR ENCLOSURE	ODP







### Basket Strainer (WW)

Our light duty WW model strainers are sold with either a 1.5" or 2" union adapter. All units come complete with an internal strainer assembly and gasket seals. Sequence® WW model strainers are designed, engineered, and produced in the USA.

SIZE	PART NUMBER	O-RINGS	MATERIAL
1.5" (90 CI)	1000.771-1	Buna	PVC/ABS/Lexon
2" (90 CI)	1000.771-7	Buna	PVC/ABS/Lexon



### Basket Strainer (PF)

Our medium duty PF model strainers have a clear or gray PVC body and a basket made of stainless steel or acrylonitrile butadiene styrene (ABS). The standard port dimension is a 2" male thread that comes with adapters that have a slip port. With the PF model strainer you can expect higher quality molding processing, finer materials and excellent performance.

SIZE	COLOR	PART NUMBER	O-RINGS	MATERIAL
2" (500 CI)	Clear	24170488	Buna	PVC/ABS/SS
2" (500 CI)	Gray	24170496	Buna	PVC/ABS/SS



### Basket Strainer (FT)

Our heavy duty FT model strainers are suitable for aquatics, general water and industrial applications. The standard strainers feature a unique seamless cast design that can be customized for Sequence® Titan pump applications requiring integral access ports and FTP stands. These basket strainers are available in corrosion-resistant plastics such as PVC, CPC, PP and PVDF, as well as fiberglass. All offer greater temperature resistance and chemical compatibility than traditional iron, steel and bronze strainers.

SIZE	PART NUMBER	CENTERLINE	MATERIAL
4x3"	24169627	5.25"	PV/CPC/PP/ PVDF/SS



### Swing Check Valves

We offer three different sizes of swing check valves (1.5", 2" or 3") for applications with potential flow reversal. All units are made from 100% PVC with a rubber sealed flapper swing valve.

SIZE	PART NUMBER	MATERIAL
1.5"	MP-CV15	PVC
2"	MP-CV20	PVC
3"	MP-CV30	PVC