

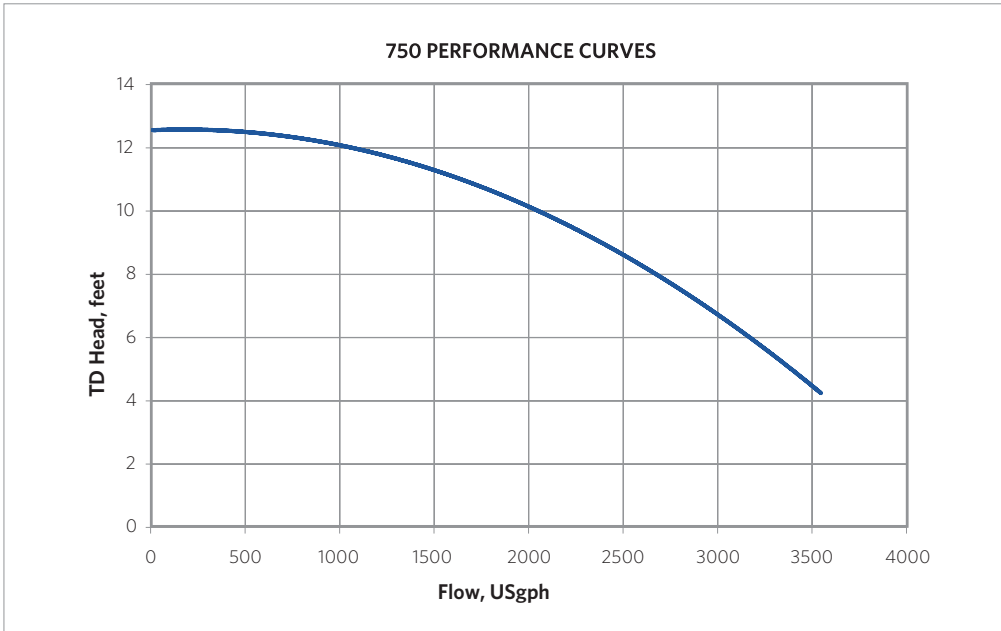
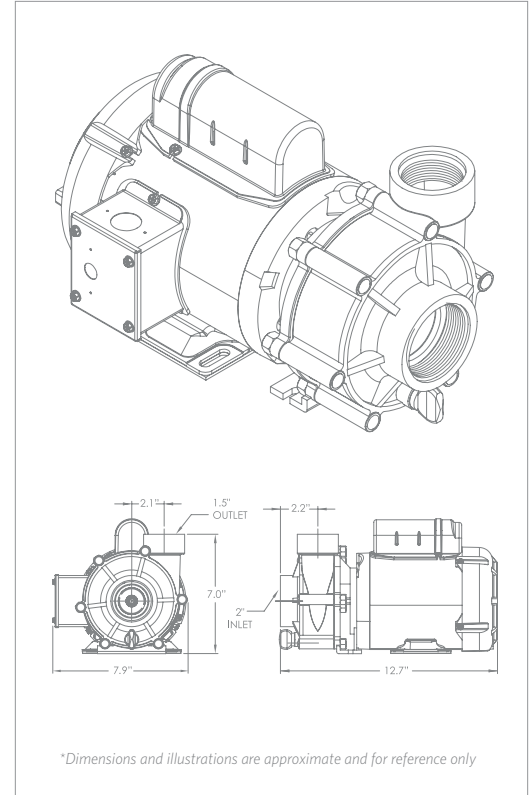


**ValuFlo**  
*Economy with Efficiency*



**ValuFlo® 750 Series**

The compact 750 series delivers big flow for little power. Great for smaller and simple ponds (3,000 gallons or less). The motor is totally-enclosed fan-cooled for durability. Motor voltage is 115V or 230V. 18 month limited warranty. Supplied with an 8-foot cordset. Made in USA.



**18 MONTH LIMITED WARRANTY**

**8 FOOT CORDSET**

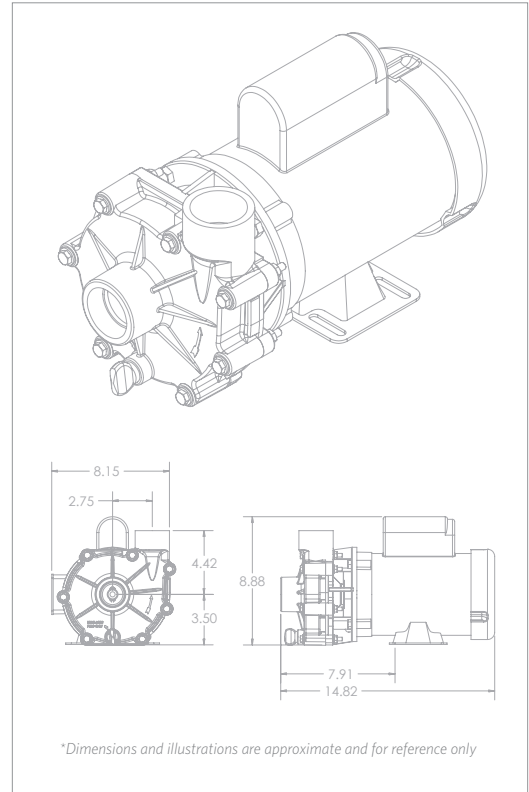
**TEFC FANCOOLED MOTOR**

MODEL	INLET	DISCHARGE	MAX FLOW (GPH)	MAX HEAD (FEET)	MAX POWER (WATTS)	MAX CURRENT (AMPS)	@ (VOLTS)	MOTOR HP	MOTOR ENCLOSURE	IMPELLER
4200VAF12	2"	1.5"	4200	12'	166	1.5	115	3/8	TEFC	9

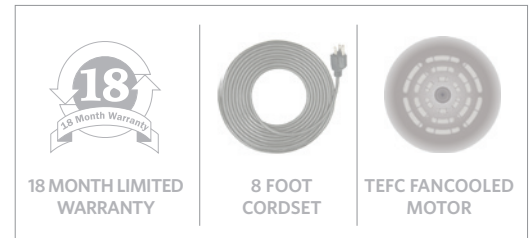
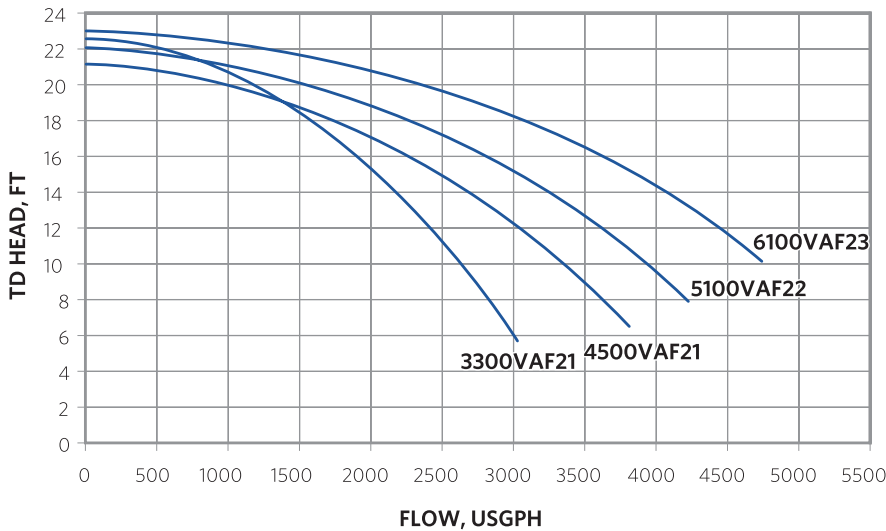


**ValuFlo® 1000 Series**

The 1000 series has set the standard by which all others are measured. Perfect blend of medium pressure and ample flow for the majority of ponds. Motor is totally-enclosed, fan-cooled for durability. 115V or 230V. 18 month limited warranty. Supplied with an 8-foot, 115V cordset. Made in USA.



**1000 FAMILY PERFORMANCE CURVES**



MODEL	INLET	DISCHARGE	MAX FLOW (GPH)	MAX HEAD (FEET)	MAX POWER (WATTS)	MAX CURRENT (AMPS)	@ (VOLTS)	MOTOR HP	MOTOR ENCLOSURE	IMPELLER
3300VAF21	1.5"	1.5"	3300	21'	215	2.36	115	½,¼,¼,¼	TEFC	4
4500VAF21	1.5"	1.5"	4500	21'	253	2.69	115	½,¼,¼,¼	TEFC	5
5100VAF22	1.5"	1.5"	5100	22'	293	2.6	115	½,¼,¼,¼	TEFC	6
6100VAF23	1.5"	1.5"	6100	23'	344	3.0	115	½,¼,¼,¼	TEFC	7



**Basket Strainer (WW)**

Our light duty WW model strainers are sold with either a 1.5" or 2" union adapter. All units come complete with an internal strainer assembly and gasket seals. Sequence® WW model strainers are designed, engineered, and produced in the USA.

SIZE	PART NUMBER	O-RINGS	MATERIAL
1.5" (90 CI)	1000.771-1	Buna	PVC/ABS/Lexon
2" (90 CI)	1000.771-7	Buna	PVC/ABS/Lexon



**Basket Strainer (PF)**

Our medium duty PF model strainers have a clear or gray PVC body and a basket made of stainless steel or acrylonitrile butadiene styrene (ABS). The standard port dimension is a 2" male thread that comes with adapters that have a slip port. With the PF model strainer you can expect higher quality molding processing, finer materials and excellent performance.

SIZE	COLOR	PART NUMBER	O-RINGS	MATERIAL
2" (500 CI)	Clear	24170488	Buna	PVC/ABS/SS
2" (500 CI)	Gray	24170496	Buna	PVC/ABS/SS



**Swing Check Valves**

We offer two different sizes of swing check valves (1.5" and 2") for our ValuFlo line of pumps. They are best suited for applications with potential flow reversal. All units are made from 100% PVC with a rubber sealed flapper swing valve.

SIZE	PART NUMBER	MATERIAL
1.5"	MP-CV15	PVC
2"	MP-CV20	PVC



### ECONOMY WITH EFFICIENCY: THE NAME OF THE GAME

The people behind ValuFlo® pumps named the product line to reflect the stringent set of standards against which ValuFlo® performance is measured. ValuFlo® products were designed to achieve a unique level of economy – with high efficiency in a reliable, long-life pump. ValuFlo® products offer extremely low total cost of ownership.

#### VALUFLO® PRODUCTS APPEAL TO CUSTOMERS CONCERNED ABOUT:

- **High efficiency** - Inefficient pumps simply cost more to operate. Savings from efficient ValuFlo® pumps often more than pay the difference between ValuFlo® and other pumps.
- **Long life** - It takes time, as well as extra money to replace a failing pump. Although we all expect products to outlive their warranty, length of warranty is an expression of manufacturer expectations about service life. Compare the length of product warranties, as if replacement is required at the end of the warranty.
- **Lower price** - With designs based on the highest performance pumps in the industry, mated to solid commercial-duty motors, ValuFlo® products offer great throughput and extremely low total cost of ownership.

The name of the game is ValuFlo® – for efficiency and longevity. ValuFlo® is simply the best value.  
All units are assembled and pre-tested in our Colorado manufacturing facility.



FOLLOW US  
@MDMPUMPS

3345 N. Cascade Ave • Colorado Springs, CO 80907  
719.634.8202 (Phone) • 866.425.1346 (Fax)  
sales@mdminc.com • www.valuflo.com

