

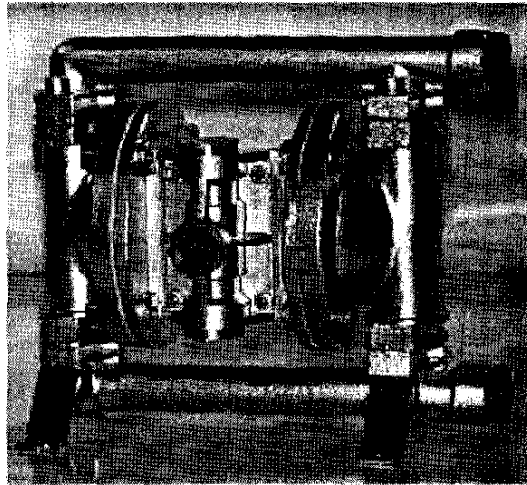
**BLAGDON  
PUMP**

**IDEX**  
IDEX CORPORATION

**Metallic Series**  
**Air Operated Double Diaphragm Pumps**

**N06**

**AIR OPERATED  
DIAPHRAGM PUMP  
RANGE**



- Material options suitable for a wide range of chemicals.
- Simple construction, easy to maintain.
- Self priming, ideal for emptying containers.
- High Quality Investment Cast Design.
- Pressures to 125 p.s.i.
- Flow rates up to 4 3/4 gpm.
- Bolted construction for safety and integrity.
- Reliable Pneumatic Air Valve system.
- Constructed from 316L Stainless steel.

**PUMP CURVE**

A full page Performance Curve for this Model can be printed from Blagdon Pump Selection Software  
Enter Programme: "View Product Catalogue" - "Graphs" - "Curves"

**DIMENSIONAL DRAWING**

A full page Dimensional Drawing for this Model can be printed from Blagdon Pump Selection Software

Enter Programme: "View Product Catalogue" - "Graphs" - "Dimensions"

**BLAGDON SELECTION SOFTWARE**

Available from Blagdon Web Site: [www.blagdonpump.com](http://www.blagdonpump.com)

TYPICAL CODE = N06. 01. S S. B B. T T S

MODEL - N06

DESIGN LEVEL

WETTED COMPONENTS  
S : STAINLESS STEEL  
Q : HASTELLOY

NON - WETTED COMPONENTS  
S : STAINLESS STEEL

CHECK VALVE  
B : BALL

SUCTION ORIENTATION  
B : BOTTOM

VALVE SEATS  
S : STAINLESS STEEL  
Q : HASTELLOY C

CHECK VALVES  
T : PTFE  
S : 316 STAINLESS STEEL

DIAPHRAGMS  
T : PTFE  
R : SANTOPRENE\*

Example above : N06.01.SS.BB.TTS refers to N06 model with St. Steel wetted & non-wetted body materials, with PTFE Diaphragms and Valve Balls and St. Steel Valve Seats.

TECHNICAL DATA

METALLIC SERIES N06

Maximum Delivery:	4 3/4 gpm	Installation:	Wall or surface mounted
Max. Working Pressure:	125 psi	Accessories Included:	Exhaust air Silencer
Max. Solid Particle Size:	1/16"	Shipping Weights:	
Air Inlet:	1/4" NPT (F)	Stainless Steel	9.9 lb
Temperature Limits:	Determined by Flastomers	Shipping Dimensions:	5 1/16" x 9 5/8" x 7 13/16"
Suction Lift (Dry):	4' 11"		
Suction Lift (Wet):	13' 6"		
Fluid Inlet/Outlet:	1/4" NPT (F)		

DISTRIBUTOR:

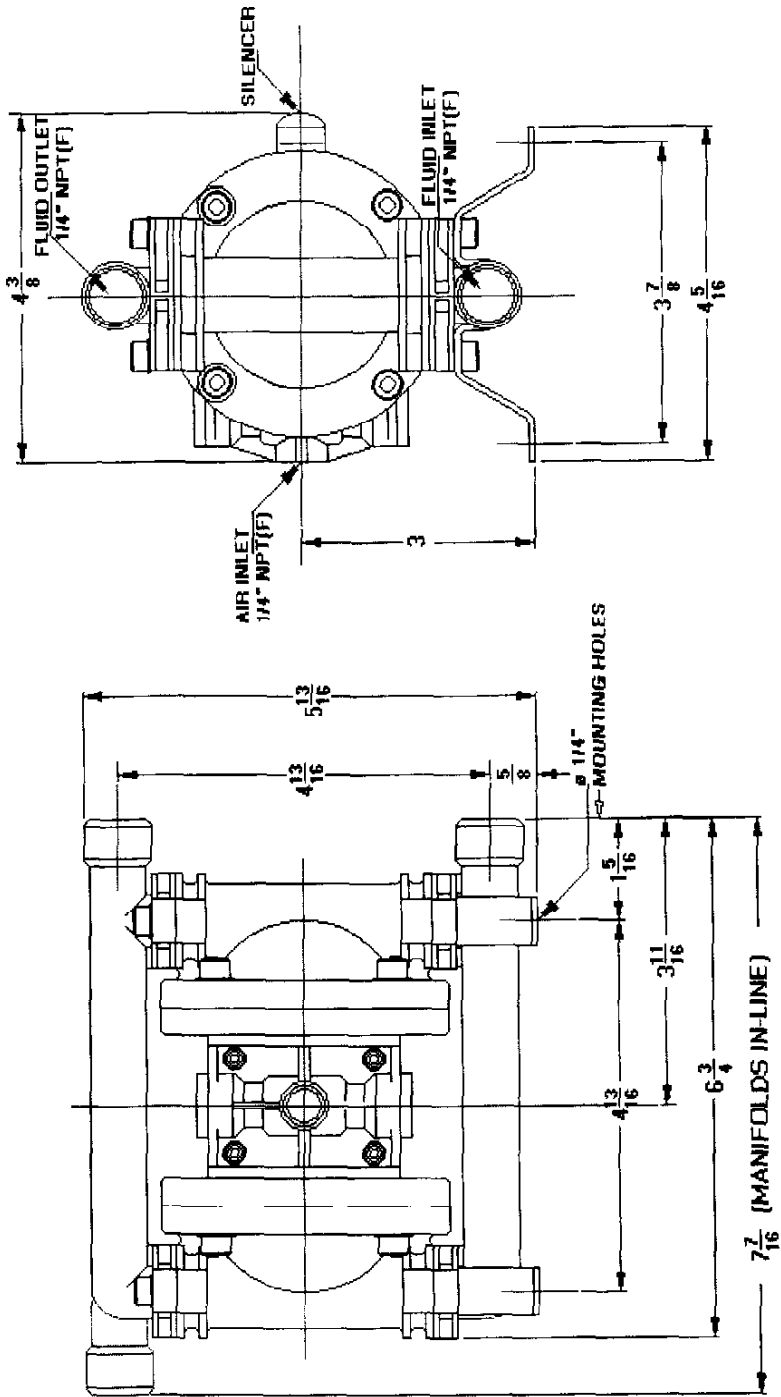


BLAGDON PUMP

A Unit of IDEX Corporation,  
P.O.Box 1568, 800 North Main Street  
Mansfield, OH 44901-1568, USA  
TEL : 419-524-1102  
FAX : 419-524-3654  
Web Site : www.blagdonpump.com

Dimensions

# 06 METAL C STANDARD - 1/4" S: Stainless Steel

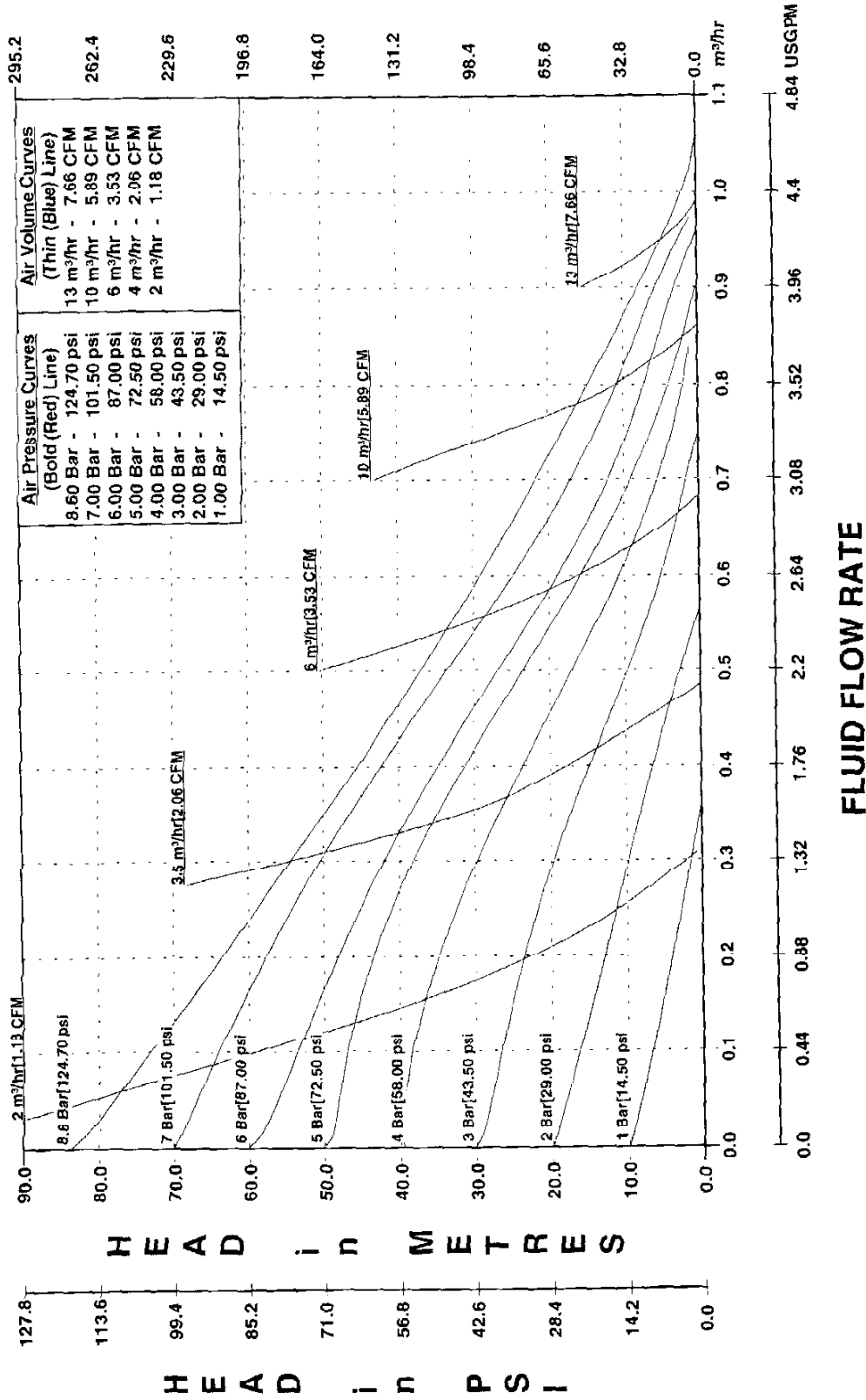


SHIPPING DIMENSIONS (inches): 9.25 x 8.46 x 5.12	WEIGHTS (Pounds) SHIPPING WEIGHTS (Pounds)
PUMP	8.82
Stainless Steel/Stainless Steel	9.94

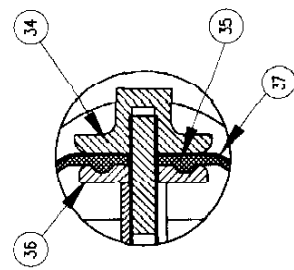
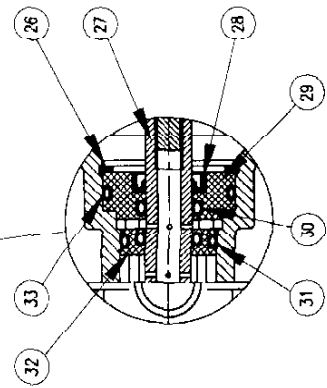
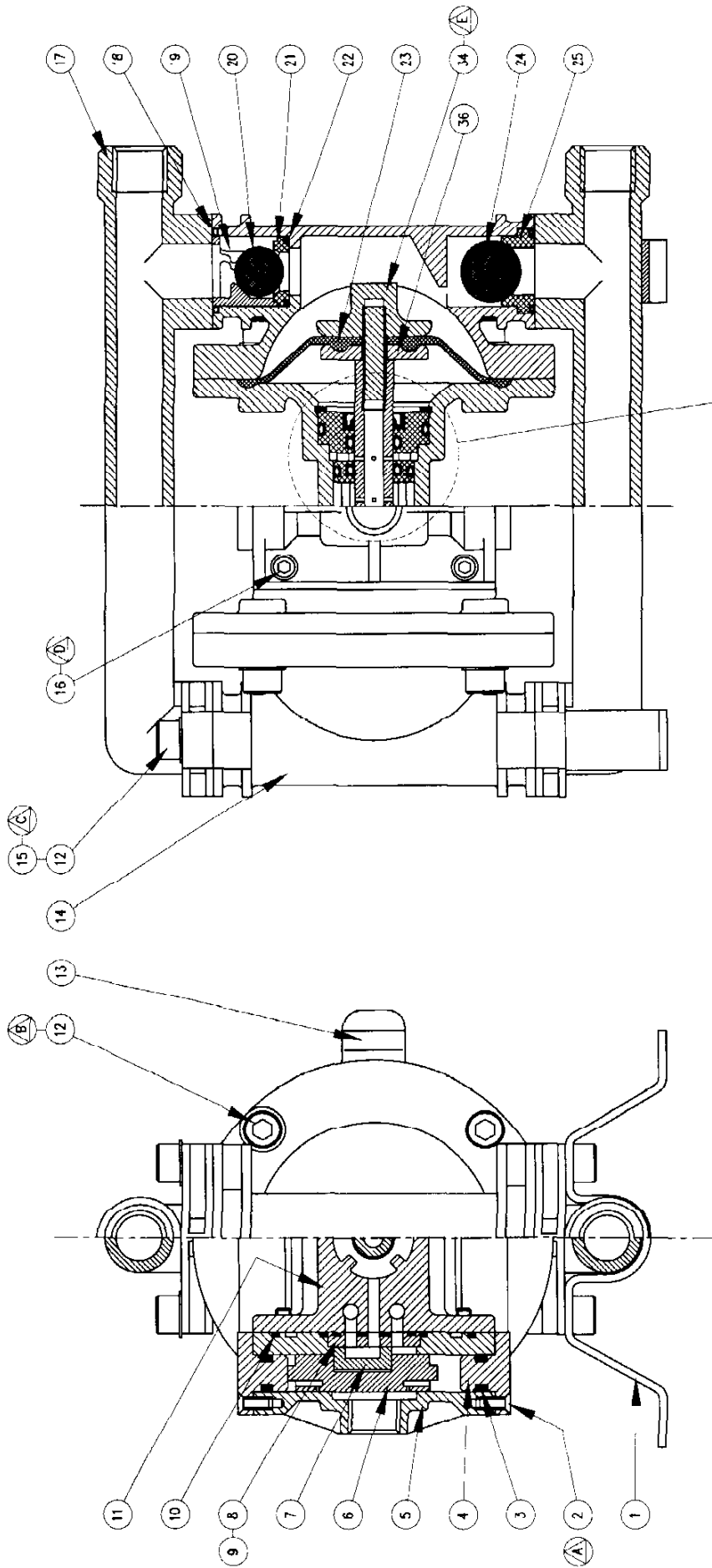
Note: Dimensions shown are for guidance only, drawings are not to scale. Certified dimensions are available on request.  
Dimension 'A' is base to air inlet centre. Dimension 'B' is fixing centres. Dimension 'C' is fluid inlet/outlet centres.  
Dimension 'D' is base to fluid inlet centre.

# 06 METALLIC STANDARD - 1/4"

S: Stainless Steel



Note: Performance Curves are determined by pumping clean water from a flooded suction, ie SG = 1.0  
Performance Graphs are not to scale.



**TORQUE SETTINGS**

A	3-4NM (2-3lbs/ft)
B	16NM (12 lbs/ft)
C	18-20NM (13-15lbs/ft)
D	4-5NM (3-4lbs/ft)
E	10-12NM (7.5-9 lbs/ft)

**PARTS LIST**

REF	PART NUMBER	DESCRIPTION	QTY
1	06-140	BASE LEG	2
2	D214	SKT C/SUNK SCREW M3 x 10	6
3	G258	O-RING	2
4	06-007	VALVE BLOCK PLUG	2
5	06-066	VALVE BLOCK	1
6	06-005	VALVE CARRIER	1
7	06-004	SLIDE VALVE	1
8	06-003	SLIDE VALVE PLATE	1
9	06-059	PLATE SEAL	1
10	06-002	PORT SEA	1
11	06-160	CENTRE SECTION M6 x 20	1
12	D215	SKT CAP SCREW	16
13	06-034	SILENCER	1
14	06-139	OUTER COVER	2
15	C048	WASHER M6	14
16	D322	SKT CAP SCREW M4 x 10	4
17	06-137	MANIFOLD	2
18	SFT TAB F	O-RING - MANIFOLD	4
19	06-161	CHECK VALVE CAGE	2
20	SLL TABLE	CHECK VALVE - DISCHARGE	2
21	06-163	VALVE SEAT - DISCHARGE	2
22	G259	O-RING - VALVE SEAT	2
23		SEE ITEMS 35 & 37	
24	SEE TABLE	CHECK VALVE - SUCTION	2
25	06-142	VALVE SEAT - SUCTION	2
26	H280	CIRCLIP	2
27	06-132	DIAPHRAGM SHAFT	1
28	06-044	SHAFT SEAL	2
29	06-047	DIAPHRAGM SHAFT BUS-1 - A	2
30	G257	O-RING	4
31	G279	O-RING	2
32	06-048	DIAPHRAGM SHAFT BUS-1 - B	2
33	G264	O-RING	2
34	SA10160	FRONT PLATE ASSY	2
35	06-010	DIAPHRAGM SUPPORT	2
36	06-009	BACK PLATE	2
37	06-141	DIAPHRAGM - PTFE	2

VALVE BALL TABLE				
REF NO.	DESCRIPTION	PTFE	STAINLESS STEEL	QTY
20	CHECK VALVE - DISCHARGE	06-145	06-146	2
24	CHECK VALVE - SUCTION	06-108	06-110	2

O-RING TABLE				
REF NO.	DESCRIPTION	PTFE		QTY
18	O-RING	G255		4

- ◆ - These items are available in a recommended spares kit. Please refer to your local stockist / distributor for details.
- - These items are available in a recommended spares kit - SA10-40 - AV side kit

**NOTES**

---



---



---



---



---



---



---



---



---



---

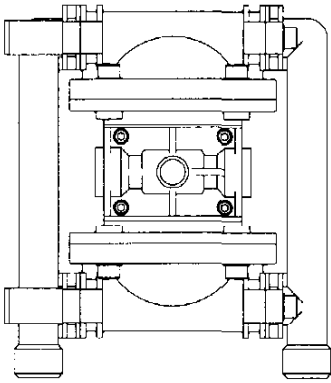


---

# MANUAL AND PARTS LIST

## N06

DIAPHRAGM PUMP  
Metallic Models



DISTRIBUTOR

IMPORTANT  
All business conducted to Blagdon Pump. Terms and Conditions of Sale, available on request

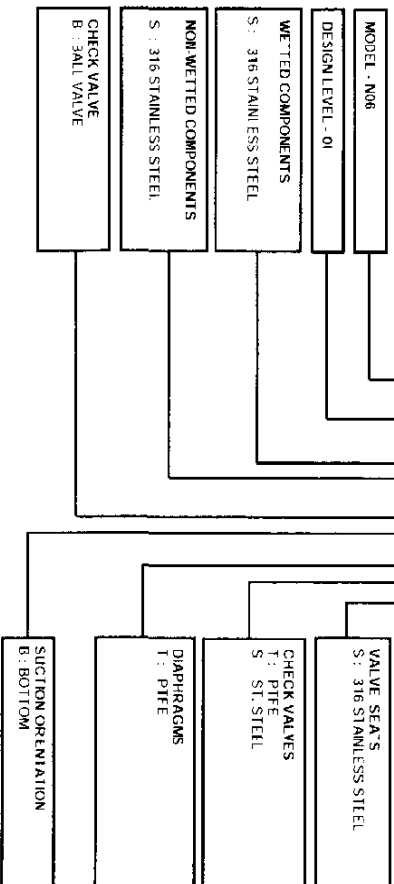
**BLAGDON PUMP**  
A Unit of IDEX Corporation

P.O. BOX 1568,  
800 NORTH MAIN STREET, MANSFIELD, OHIO 44901-1568, USA.  
TEL : 419-524-1102 FAX : 419-524-3654  
Web Site : [www.blagdonpump.com](http://www.blagdonpump.com)  
E-Mail : [Dphony@blagdon@aol.com](mailto:Dphony@blagdon@aol.com)  
Customer Service E-Mail : [sales@blagdonpump.com](mailto:sales@blagdonpump.com)

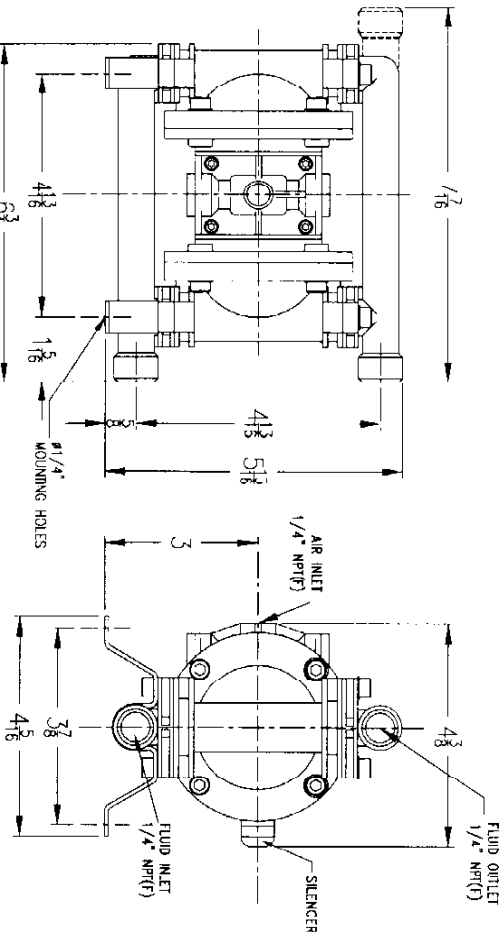
HG-CF-990 (Rev 0)

### MATERIAL SPECIFICATIONS

TYPICAL CODE = 06-01-SS-BB-TTS



### DIMENSIONS



### TECHNICAL DATA

Max Working Pressure	: 125 psi	Air Inlet	: 1/4" NP(TF)
Max Solid Particle Size	: 1/16"	Fluid Inlet/Outlet	: 1/4" NP(TF)
Temperature Limits	: Determined by Elasmomers	Pump weight	: 8.8 lbs