

EBARA



Submersible Wastewater Pump

Model DMLU



commercial | industrial | water | wastewater | drainage

EBARA Fluid Handling

EBARA International Corporation

Model DMLU

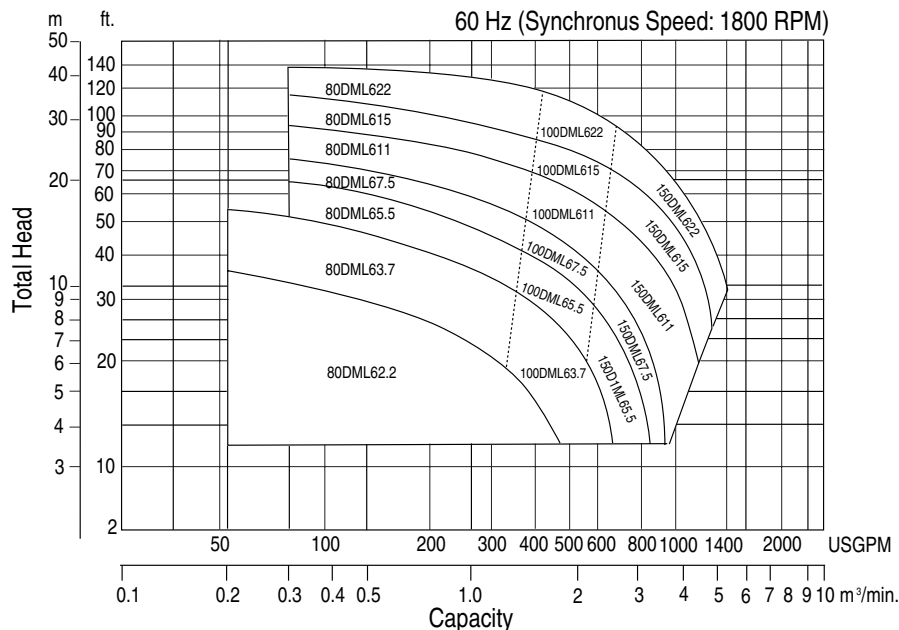
Features

- **Economical alternative, commercial/industrial use**
- **Non-clog, single channel impeller** has 3" spherical passage; prevents clogging; high efficiency and saves energy
- **Robust construction** - large diameter, short overhang shaft with stainless steel fasteners
- **Double mechanical seals** — **silicon carbide lower seals, carbon/ceramic upper** - hard faced upper and lower seals operate in an oil bath; providing longer service life and lower maintenance costs
- **Air-filled, Class F insulated, heavy duty motor, rated for 20 starts/hour**, dissipates heat easily, operates cooler with higher efficiencies; longer service life with lower operating costs
- **Built-in motor protection with autocut**, (3HP) protects motor against overheating, out-of-phase, single phasing, and no load; (5 to 30HP) provides overtemp protection; saves money on costly motor replacement
- **High quality stainless steel shaft**; provides high tensile strength, corrosion resistance, longer life, and lower maintenance costs

Specifications

| | | |
|--------------|-------------------------|--|
| Range | Discharge size | 3, 4, 6 inch |
| | Horsepower | 3- 30 HP |
| Liquid | Maximum water temp. | 104°F |
| | Maximum spherical solid | 3" |
| Speed | | 1800 RPM |
| Materials | Casing | Cast Iron |
| | Impeller | Cast Iron |
| | Shaft | 403 Stainless Steel |
| Construction | | Double mechanical seal |
| | Impeller type | Non-clog |
| | Bearing | Pre-lubricated ball bearing |
| Motor | Type | Air-filled, water tight |
| | Insulation class | F |
| | Three phase | 208/230V, 460V |
| | Insulation class | F |
| | Protection | |
| | Service factor | 1.15 |
| | Protection | 3HP: Built-in overload protector 5 to 30HP: Built-in thermal detector |
| | Service factor | 1.15 |
| Accessories | | Submersible cable – 33 ft QDC system |

DMLU selection chart



* All specifications subject to change without notice.



EBARA Fluid Handling

1651 Cedar Line Drive • Rock Hill, SC 29730 • (t) 803 327 5005 • (f) 803 327 5097

www.pumpsebara.com

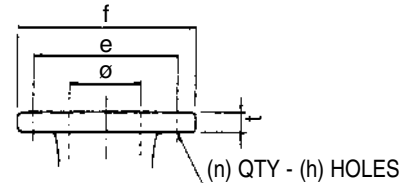
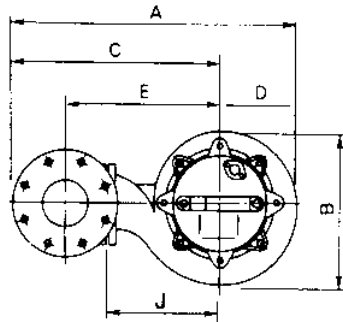
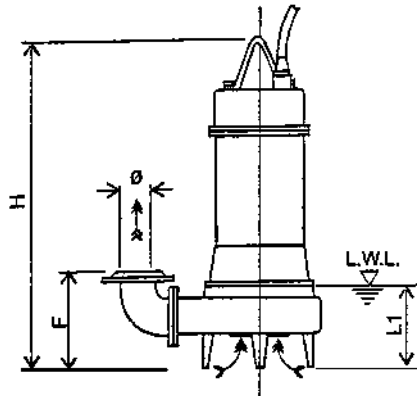
© 2005 EBARA International Corporation

EICDMLU 0705

Dimensions

Model DMLU

80DMLU, 3 to 30HP
 100DMLU, 5 to 30 HP
 150DMLU, 7.5 to 30HP



Flange (ANSI 125 PSI F.F)

| inch | | | | | |
|------|-------|-------|-------|---|-----|
| Ø | e | f | t | n | h |
| 3 | 6 | 7 1/2 | 3/4 | 4 | 3/4 |
| 4 | 7 1/2 | 9 | 15/16 | 8 | 3/4 |
| 6 | 9 1/2 | 11 | 1 | 8 | 3/4 |

| mm | | | | | |
|-----|-----|-----|----|---|----|
| Ø | e | f | t | n | h |
| 80 | 150 | 185 | 19 | 4 | 19 |
| 100 | 175 | 210 | 20 | 8 | 19 |
| 150 | 240 | 280 | 22 | 8 | 19 |

Dimensions: inch

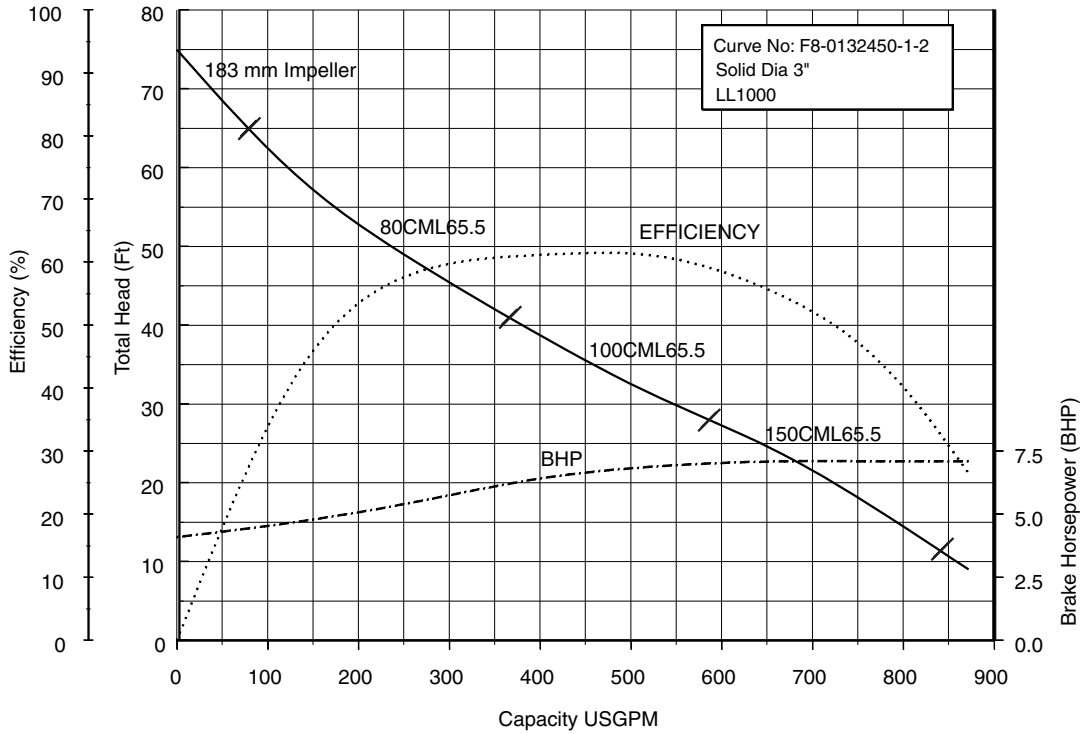
| PHASE | SIZE Ø | MODEL | OUTPUT | | PUMP & MOTOR | | | | | | | | | WEIGHT Lb |
|------------|--------|-------------|---------------------------------|---------------------------------|----------------------------------|----------------------------------|----------------------------------|----------------------------------|---------------------------------|----------------------------------|----------------------------------|----------------------------------|----------------------------------|-----------|
| | | | kW | HP | A | B | C | D | E | F | H | J | L1 | |
| THREE | 3 | 80DMLU62.2 | 2.2 | 3 | 21 | 12 ⁵ / ₈ | 14 ⁷ / ₈ | 6 ³ / ₁₆ | 11 ¹ / ₄ | 11 ³ / ₄ | 26 ⁵ / ₁₆ | 8 ¹ / ₄ | 11 | 176 |
| | | 80DMLU63.7 | 3.7 | 5 | 21 | 12 ⁵ / ₈ | 14 ⁷ / ₈ | 6 ³ / ₁₆ | 11 ¹ / ₄ | 11 ³ / ₄ | 28 ⁵ / ₈ | 8 ¹ / ₄ | 11 | 192 |
| | | 80DMLU65.5 | 5.5 | 7.5 | 25 ⁹ / ₁₆ | 15 | 17 ¹³ / ₁₆ | 7 ³ / ₈ | 14 ³ / ₁₆ | 13 ¹ / ₈ | 32 ⁷ / ₁₆ | 10 ¹ / ₁₆ | 12 ³ / ₁₆ | 260 |
| | | 80DMLU67.5 | 7.5 | 10 | 25 ⁹ / ₁₆ | 15 | 17 ¹³ / ₁₆ | 7 ³ / ₈ | 14 ³ / ₁₆ | 13 ¹ / ₈ | 32 ⁷ / ₁₆ | 10 ¹ / ₁₆ | 12 ³ / ₁₆ | 271 |
| | | 80DMLU611 | 11 | 15 | 28 ⁷ / ₈ | 17 ¹⁵ / ₁₆ | 20 ³ / ₁₆ | 8 ¹ / ₁₆ | 16 ⁹ / ₁₆ | 13 ³ / ₄ | 36 ¹⁵ / ₁₆ | 12 ³ / ₈ | 12 ¹⁵ / ₁₆ | 346 |
| | | 80DMLU615 | 15 | 20 | 28 ⁷ / ₈ | 17 ¹⁵ / ₁₆ | 20 ³ / ₁₆ | 8 ¹ / ₁₆ | 16 ⁹ / ₁₆ | 13 ³ / ₄ | 36 ¹⁵ / ₁₆ | 12 ³ / ₈ | 12 ¹⁵ / ₁₆ | 359 |
| | 4 | 80DMLU622 | 22 | 30 | 30 ⁹ / ₁₆ | 19 ⁹ / ₁₆ | 21 | 9 ⁵ / ₈ | 17 ⁵ / ₁₆ | 14 ³ / ₁₆ | 40 ³ / ₁₆ | 13 ³ / ₁₆ | 13 ¹ / ₁₆ | 492 |
| | | 100DMLU63.7 | 3.7 | 5 | 22 ¹¹ / ₁₆ | 12 ⁵ / ₈ | 16 ⁹ / ₁₆ | 6 ³ / ₁₆ | 12 ³ / ₈ | 12 ⁵ / ₁₆ | 28 ⁵ / ₈ | 8 ¹ / ₄ | 11 | 196 |
| | | 100DMLU65.5 | 5.5 | 7.5 | 25 ¹¹ / ₁₆ | 15 | 18 ⁵ / ₁₆ | 7 ³ / ₈ | 14 ³ / ₁₆ | 13 ¹ / ₈ | 32 ⁷ / ₁₆ | 10 ¹ / ₁₆ | 12 ³ / ₁₆ | 267 |
| | | 100DMLU67.5 | 7.5 | 10 | 25 ¹¹ / ₁₆ | 15 | 18 ⁵ / ₁₆ | 7 ³ / ₈ | 14 ³ / ₁₆ | 13 ¹ / ₈ | 32 ⁷ / ₁₆ | 10 ¹ / ₁₆ | 12 ³ / ₁₆ | 276 |
| | | 100DMLU611 | 11 | 15 | 29 ³ / ₈ | 17 ¹⁵ / ₁₆ | 20 ¹¹ / ₁₆ | 8 ¹ / ₁₆ | 16 ⁹ / ₁₆ | 13 ³ / ₄ | 36 ¹⁵ / ₁₆ | 12 ³ / ₈ | 12 ¹⁵ / ₁₆ | 353 |
| | | 100DMLU615 | 15 | 20 | 29 ³ / ₈ | 17 ¹⁵ / ₁₆ | 20 ¹¹ / ₁₆ | 8 ¹ / ₁₆ | 16 ⁹ / ₁₆ | 13 ³ / ₄ | 36 ¹⁵ / ₁₆ | 12 ³ / ₈ | 12 ¹⁵ / ₁₆ | 366 |
| | 6 | 100DMLU622 | 22 | 30 | 31 ¹ / ₈ | 19 ⁹ / ₁₆ | 21 ⁷ / ₁₆ | 9 ⁵ / ₈ | 17 ⁵ / ₁₆ | 14 ³ / ₁₆ | 40 ³ / ₁₆ | 13 ³ / ₁₆ | 13 ¹ / ₁₆ | 498 |
| | | 150DMLU65.5 | 5.5 | 7.5 | 28 ¹ / ₁₆ | 15 | 20 ¹¹ / ₁₆ | 7 ³ / ₈ | 15 ³ / ₁₆ | 14 ¹ / ₂ | 32 ⁷ / ₁₆ | 10 ¹ / ₁₆ | 12 ³ / ₁₆ | 280 |
| | | 150DMLU67.5 | 7.5 | 10 | 28 ¹ / ₁₆ | 15 | 20 ¹¹ / ₁₆ | 7 ³ / ₈ | 15 ³ / ₁₆ | 14 ¹ / ₂ | 32 ⁷ / ₁₆ | 10 ¹ / ₁₆ | 12 ³ / ₁₆ | 291 |
| 150DMLU611 | | 11 | 15 | 31 ³ / ₄ | 17 ¹⁵ / ₁₆ | 23 ¹ / ₁₆ | 8 ¹ / ₁₆ | 17 ¹ / ₂ | 15 ³ / ₁₆ | 36 ¹⁵ / ₁₆ | 12 ³ / ₈ | 12 ¹⁵ / ₁₆ | 366 | |
| 150DMLU615 | | 15 | 20 | 31 ³ / ₄ | 17 ¹⁵ / ₁₆ | 23 ¹ / ₁₆ | 8 ¹ / ₁₆ | 17 ¹ / ₂ | 15 ³ / ₁₆ | 36 ¹⁵ / ₁₆ | 12 ³ / ₈ | 12 ¹⁵ / ₁₆ | 379 | |
| 150DMLU622 | 22 | 30 | 33 ⁷ / ₁₆ | 19 ⁹ / ₁₆ | 23 ¹³ / ₁₆ | 9 ⁵ / ₈ | 18 ⁵ / ₁₆ | 15 ¹¹ / ₁₆ | 40 ³ / ₁₆ | 13 ³ / ₁₆ | 13 ¹ / ₁₆ | 511 | | |

Dimensions: mm

| PHASE | SIZE Ø | MODEL | OUTPUT | | PUMP & MOTOR | | | | | | | | | WEIGHT kg |
|-------|--------|-------------|--------|-----|--------------|-----|-----|-----|-----|-----|------|-----|-----|-----------|
| | | | kW | HP | A | B | C | D | E | F | H | J | L1 | |
| THREE | 80 | 80DMLU62.2 | 2.2 | 3 | 534 | 320 | 378 | 157 | 285 | 298 | 668 | 210 | 279 | 80 |
| | | 80DMLU63.7 | 3.7 | 5 | 534 | 320 | 378 | 157 | 285 | 298 | 727 | 210 | 279 | 87 |
| | | 80DMLU65.5 | 5.5 | 7.5 | 640 | 381 | 453 | 188 | 360 | 334 | 824 | 255 | 310 | 118 |
| | | 80DMLU67.5 | 7.5 | 10 | 640 | 381 | 453 | 188 | 360 | 334 | 824 | 255 | 310 | 123 |
| | | 80DMLU611 | 11 | 15 | 734 | 455 | 513 | 221 | 420 | 350 | 938 | 315 | 329 | 157 |
| | | 80DMLU615 | 15 | 20 | 734 | 455 | 513 | 221 | 420 | 350 | 938 | 315 | 329 | 163 |
| | 100 | 80DMLU622 | 22 | 30 | 777 | 497 | 533 | 245 | 440 | 363 | 1021 | 335 | 332 | 223 |
| | | 100DMLU63.7 | 3.7 | 5 | 577 | 320 | 420 | 157 | 315 | 313 | 727 | 210 | 279 | 89 |
| | | 100DMLU65.5 | 5.5 | 7.5 | 653 | 381 | 465 | 188 | 360 | 334 | 824 | 255 | 310 | 121 |
| | | 100DMLU67.5 | 7.5 | 10 | 653 | 381 | 465 | 188 | 360 | 334 | 824 | 255 | 310 | 125 |
| | | 100DMLU611 | 11 | 15 | 746 | 455 | 525 | 221 | 420 | 350 | 938 | 315 | 329 | 160 |
| | | 100DMLU615 | 15 | 20 | 746 | 455 | 525 | 221 | 420 | 350 | 938 | 315 | 329 | 166 |
| | 150 | 100DMLU622 | 22 | 30 | 790 | 497 | 545 | 245 | 440 | 363 | 1021 | 335 | 332 | 226 |
| | | 150DMLU65.5 | 5.5 | 7.5 | 713 | 381 | 525 | 188 | 385 | 369 | 824 | 255 | 310 | 127 |
| | | 150DMLU67.5 | 7.5 | 10 | 713 | 381 | 525 | 188 | 385 | 369 | 824 | 255 | 310 | 132 |
| | | 150DMLU611 | 11 | 115 | 806 | 455 | 585 | 221 | 445 | 385 | 938 | 315 | 329 | 166 |
| | | 150DMLU615 | 15 | 20 | 806 | 455 | 585 | 221 | 445 | 385 | 938 | 315 | 329 | 172 |
| | | 150DMLU622 | 22 | 30 | 850 | 497 | 605 | 245 | 465 | 398 | 1021 | 335 | 332 | 232 |

Performance Curves

80, 100, 150DML65.5 (7.5HP) Synchronous Speed: 1800 RPM 3, 4, 6 inch Discharge



80, 100, 150DML67.5 (10HP) Synchronous Speed: 1800 RPM 3, 4, 6 inch Discharge

