

AST 60

SINGLE INSIDE SEAL



The AST 60 is a simple and easily installed seal that can be used wherever a highly reliable, anti-clog seal is needed. Its narrow seal face design and hydraulic balance make it a cool-running seal. The floating rotary seal ring eliminates seal face distortion inherent to shrink fit designs. Since all the springs are isolated from the pumped fluid, flush rates can be reduced to minimize product dilution.

The AST 60 Seal is designed for use throughout the process industries:

- Food Processing
- Mining Services
- Pulp and Paper
- Corn Processing
- Marine Operations
- Phosphate Production
- Chemical Processing
- Sugar Refining
- Brewing and Distilling
- Pharmaceuticals
- Petroleum Systems
- Waste Treatment
- Water Treatment
- Power and Energy

The AST 60 is easy to rebuild on site using standard tools, so you never have to wait for seal repairs, and you never have to worry about installing exchange seals that might have previously held hazardous materials.

AST 60

Hydraulically balanced
for longer life and cooler
running.

Floating seal ring
is field replaceable,
eliminate shrink-fit
distortion.

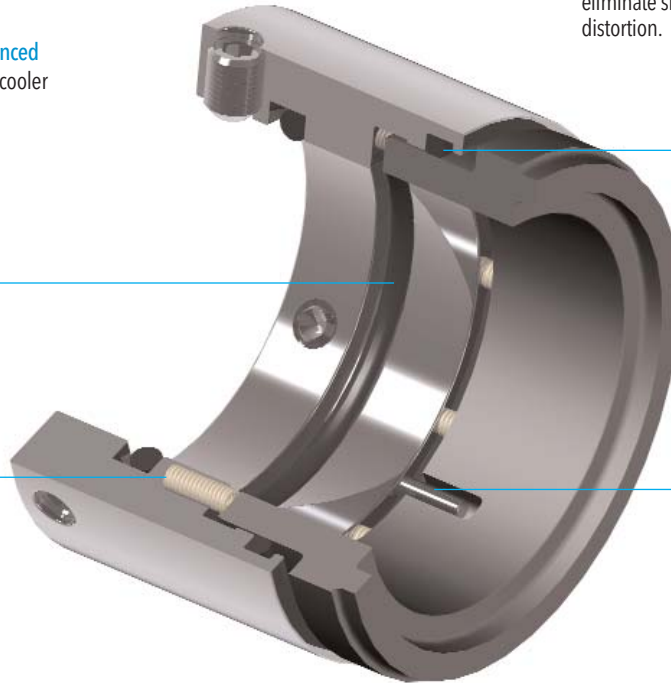
Static O-ring
cannot fret shaft.

Isolated dynamic O-ring
moves onto a clean surface
as the seal face wears.

Springs are isolated
from process fluid reducing
stress corrosion and clogging.

Three-lug drive
transmits uniform
torque to seal ring.

Multiple springs
provide even load on seal ring.



OFF THE SHELF...

AST 60 seals fit ANSI and DIN pumps with shafts from 0.75 to 4 inches, and from 18 to 100mm diameter.

SPACE REQUIRED

Shaft size	Radial	Length
0.750 - 1.375	0.312	1.375
1.500 - 2.500	0.375	1.750
2.625 - 4.000	0.500	2.000
18 - 35mm	8mm	35mm
38 - 55mm	10mm	45mm
58 - 70mm	12.5mm	45mm
75 - 105mm	14.5mm	50mm

MATERIALS OF CONSTRUCTION

Metal components:	316 Stainless Steel standard; Alloy 20, Titanium, and Hastelloy C-276 ¹ available
Rotating seal ring:	Carbon-Graphite or Graphite-Loaded Sintered Silicon Carbide
Stationary seal ring:	Sintered Silicon Carbide or Tungsten Carbide
Springs:	Hastelloy C-276
O-rings:	Fluoroelastomer, EPDM, Aflas ² , or Isolast ³ perfluoroelastomer

OPERATING LIMITS

Pressure:	28 in (710 mm) Hg vacuum to 400 PSIG (28 bar) maximum, depending on shaft size and speed.
Temperature:	To 500°F (260°C), depending on O-ring elastomer limits in fluid sealed

Notes: ¹Trademark of Haynes International Inc., ²Trademark of Asahi Glass Co. Ltd., ³Trademark of Busak+Shamban

**ADVANCED SEALING
TECHNOLOGY**

250 NORTH STREET A-11
DANVERS, MA 01923 USA
www.astseals.com

tel. (978) 750-8001
fax. (978) 750-6980
sales@astseals.com

